

# INSTALLATION GUIDE

## 5 Series 3D



R-454B / 60Hz

IGW5-0017W

General Installation Information.....	2
Nomenclature.....	6
Water Quality .....	10
Hot Water Generator Connections .....	11
Buffer Tank Installation.....	11
Hydronic.....	12
Electrical Connections .....	14
Electronic Thermostat Installation .....	15
Blower Data.....	16
Dimensional Data.....	17
Physical Data .....	18
Reference Calculations .....	18
Operating Limits.....	18
Refrigerant Removal & Evacuation .....	19
Charging Procedures.....	19
Refrigerant Recovery.....	20
Unit Startup.....	21
Revision Guide .....	25

### WARNING

**WARNING:** Before performing service or maintenance operations on the system, turn off main power switches to the unit. Electrical shock could cause serious personal injury.

**WARNING:** All products are designed, tested, and manufactured to comply with the latest publicly released and available edition of UL 60335-2-40 for electrical safety certification. All field electrical connections must follow the National Electrical Code (NEC) guide standards and / or any local codes that may be applicable for the installation.

**WARNING:** Only factory authorized personnel are approved for startup, check test and commissioning of this unit.

**INSTALLER:** Please take the time to read and understand these instructions prior to any installation. Installer must give a copy of this manual to the owner.

### For the User

### WARNING

This appliance is not intended for use by persons (including children) with reduced physical, sensory, or mental capabilities, or lack of experience and knowledge, unless they have been given supervision or instruction concerning use of the appliance by a person responsible for their safety.

Children should be supervised to ensure that they do not play with the appliance.

Keep this manual in a safe place in order to provide your service personnel with necessary information.

### NOTICE

**NOTICE:** To avoid equipment damage, do not leave the system filled in a building without heat during cold weather, unless adequate freeze protection levels of antifreeze are used. Heat exchangers do not fully drain and will freeze unless protected, causing permanent damage.

### Definition of Warnings and Symbols

<b>DANGER</b>	Indicates a situation that results in death or serious injury.
<b>WARNING</b>	Indicates a situation that could result in death or serious injury.
<b>CAUTION</b>	Indicates a situation that could result in minor or moderate injury.
<b>NOTICE</b>	Indicates a situation that could result in equipment or property damage.



## General Installation Information

**NOTICE: Do not store or install units in corrosive environments or in locations subject to temperature or humidity extremes. Corrosive conditions and high temperature or humidity can significantly reduce performance, reliability, and service life.**

**NOTICE: A minimum of 24 in. clearance should be allowed for access to front access panel and side panels.**

**NOTICE: To avoid equipment damage, DO NOT use these units as a source of heating or cooling during the construction process. The mechanical components and filters can quickly become clogged with construction dirt and debris, which may cause system damage and void product warranty.**

### For the Installer

If you are NOT sure how to install or operate the unit, contact your dealer.

Installing and servicing air conditioning and heating equipment can be hazardous due to system pressure and electrical components. Only trained and qualified service personnel should install, repair or service heating and air conditioning equipment. When working on heating and air conditioning equipment, observe precautions in the literature, tags and labels attached to the unit and other safety precautions that may apply.

This manual contains specific information about the required qualification of the working personnel for maintenance, service and repair operations. Every working procedure that affects safety means shall only be carried out by competent persons.

Examples for such working procedures are:

- breaking into the refrigerating circuit;
- opening of sealed components or ventilated enclosures.

Follow all safety codes. Wear safety glasses and work gloves. Use quenching cloth for brazing operations. Have fire extinguisher available for all brazing operations. Follow all procedures to remain in compliance with national gas regulations.

Prior to beginning work on systems containing FLAMMABLE REFRIGERANTS, safety checks are necessary to ensure that the risk of ignition is minimized. Work shall be undertaken under a controlled procedure so as to minimise the risk of a flammable gas or vapor being present while the work is being performed. All maintenance staff and others working in the local area shall be instructed on the nature of work being carried out. Work in confined spaces shall be avoided.

The area shall be checked with an appropriate refrigerant detector prior to and during work, to ensure the technician is aware of potentially toxic or flammable atmospheres. Ensure that the leak detection equipment being used is suitable for use with all applicable refrigerants, i.e. non-sparking, adequately sealed or intrinsically safe.

If any hot work is to be conducted on the refrigerating equipment or any associated parts, appropriate fire extinguishing equipment shall be available to hand. Have a dry powder or CO2 fire extinguisher adjacent to the charging area.


No person carrying out work in relation to a REFRIGERATING SYSTEM which involves exposing any pipe work shall use any sources of ignition in such a manner that it may lead to the risk of fire or explosion. All possible ignition sources, including cigarette smoking, should be kept sufficiently far away from the site of installation, repairing, removing and disposal, during which refrigerant can possibly be released to the surrounding space. Prior to work taking place, the area around the equipment is to be surveyed to make sure that there are no flammable hazards or ignition risks. "No Smoking" signs shall be displayed.

Where electrical components are being changed, they shall be fit for the purpose and to the correct specification. At all times the manufacturer's maintenance and service guidelines shall be followed. If in doubt, consult the manufacturer's technical department for assistance.


The following checks shall be applied to installations using FLAMMABLE REFRIGERANTS:

- the actual REFRIGERANT CHARGE is in accordance with the room size within which the refrigerant containing parts are installed;
- the ventilation machinery and outlets are operating adequately and are not obstructed;
- if an indirect refrigerating circuit is being used, the secondary circuit shall be checked for the presence of refrigerant;
- marking to the equipment continues to be visible and legible. Markings and signs that are illegible shall be corrected;
- refrigerating pipe or components are installed in a position where they are unlikely to be exposed to any substance which may corrode refrigerant containing components, unless the components are constructed of materials which are inherently resistant to being corroded or are suitably protected against being so corroded.

### Instructions for Equipment Using R-454B Refrigerant

 **WARNING**

- **Do NOT pierce or burn**
- **Do NOT use means to accelerate the defrosting process or to clean the equipment, other than those recommended by the manufacturer**
- **Be aware that refrigerants may not contain an odor**

 **WARNING**

- **the Appliance should be stored so as to prevent mechanical damage and in a well ventilated room without continuously operating ignition sources (example: open flames, an operating gas appliance or an operating electric heater) and the room size should be as specified (see "Determination of Minimum Floor Area.")**

## General Installation Information

### WARNING

**Ventilated Area: ensure that the area is in the open or that it is adequately ventilated before breaking into the system of conducting any hot work. A degree of ventilation should continue during the period that the work is carried out. The ventilation should safely disperse any released refrigerant and preferably expel it. Keep ventilation area clear of obstructions!**

### WARNING

**Do NOT use potential sources of ignition in searching for or detection of refrigerant leaks. A halide torch (or any other detector using a naked flame) shall not be used.**

The following leak detection methods are deemed acceptable for all refrigerant systems. Electronic leak detectors may be used to detect refrigerant leaks but, in the case of FLAMMABLE REFRIGERANTS, the sensitivity may not be adequate, or may need re-calibration. (Detection equipment shall be calibrated in a refrigerant-free area.) Ensure that the detector is not a potential source of ignition and is suitable for the refrigerant used. Leak detection equipment shall be set at a percentage of the LFL of the refrigerant and shall be calibrated to the refrigerant employed, and the appropriate percentage of gas (25 % maximum) is confirmed. Leak detection fluids are also suitable for use with most refrigerants but the use of detergents containing chlorine shall be avoided as the chlorine may react with the refrigerant and corrode the copper pipe-work. NOTE Examples of leak detection fluids are bubble method, fluorescent method agents. If a leak is suspected, all naked flames shall be removed/extinguished. If a leakage of refrigerant is found which requires brazing, all of the refrigerant shall be recovered from the system, or isolated (by means of shut off valves) in a part of the system remote from the leak. Removal of refrigerant shall follow the procedure outlined in this manual.

## Installation Site

This equipment has been evaluated to be installed up to a maximum altitude of 3000m (9843ft) and should not be installed at an altitude greater than 3000m. For installation only in locations not accessible to the general public.

### WARNING

**For appliances using A2L refrigerants connected via an air duct system to one or more rooms, only auxiliary devices approved by the appliance manufacturer or declared suitable with the refrigerant shall be installed in connecting ductwork. The manufacturer shall list in the instructions all approved auxiliary devices by manufacturer and model number for use with the specific appliance, if those devices have a potential to become an ignition source.**

## Installation Space Requirements

NOTE: Equipment with refrigerant charge less than 62 oz does not require have a minimum floor area requirement and does not require a refrigerant leak detection sensor. The sensor might be added as a feature.

### WARNING

**Equipment containing R-454B refrigerant shall be installed, operated, and stored in a room with floor area larger than the area defined in the “Minimum Floor Area” chart based on the total refrigerant charge in the system. This requirement applies to indoor equipment with or without a factory refrigerant leakage sensor.**

### CAUTION

**This equipment requires connections to a water supply. See the “Water Quality Guidelines” section of this manual for more information on the quality of water required for this operation. If a potable water source is used for this equipment’s water supply, the source water supply shall be protected against back siphonage by the equipment.**

### WARNING

**This equipment comes with a factory installed Refrigerant Detection Device which is capable of determining it’s specified end-of-life and replacement instructions. Refrigerant sensors for refrigerant detection systems shall only be replaced with sensors specified by the appliance manufacture.**

### WARNING

**Take sufficient precautions in case of refrigerant leakage. If refrigerant gas leaks, ventilate the area immediately.**  
**POSSIBLE RISKS: Excessive refrigerant concentrations in a closed room can lead to oxygen deficiency**

### WARNING

**ALWAYS recover the refrigerant. Do NOT release them directly into the environment. Follow handling instructions carefully in compliance with national regulations.**

## General Installation Information



### WARNING

Check that cabling will not be subject to wear, corrosion, excessive pressure, vibration, sharp edges or any other adverse environmental effects. The check shall also take into account the effects of aging or continual vibration from sources such as compressors or fans.

### Determination of Minimum Floor Area

Determine the total refrigerant charge in the system. In packaged heat pump systems, the factory charge should be the total charge for the system and there should be no reason for adding charge in the field. The equipment serial plate and unit physical data table should serve as reference for the total charge. Heat pumps with a refrigerant charge of 62 oz or greater come with a refrigerant mitigation system factory installed.

The heat pump equipment is ducted and utilizes the blower for leak mitigation. Once the refrigerant leak sensor detects leaked refrigerant, the compressor and electric heat will be deactivated, and the blower will operate in the continuous fan setting. This will occur for a minimum of 5 minutes and an alarm in the control will remain until the sensor no longer detects a leak.

The minimum area where the unit can be installed,  $A_{min}$ , is based on the refrigerant charge and installation height of the unit, shown in the table below. Since this heat pump is ducted and is utilizing the blower for leak mitigation, the ducted/zoned floor area must be greater than the  $TA_{min}$  shown in the table below. If the heat pump is zoned, the dampers must open to allow the heat pump blower to mitigate the refrigerant leak. The continuous blower speed must be set higher than  $Q_{min}$ , shown in the table below. The continuous fan setting is factory set to exceed the minimum airflow required for mitigation.

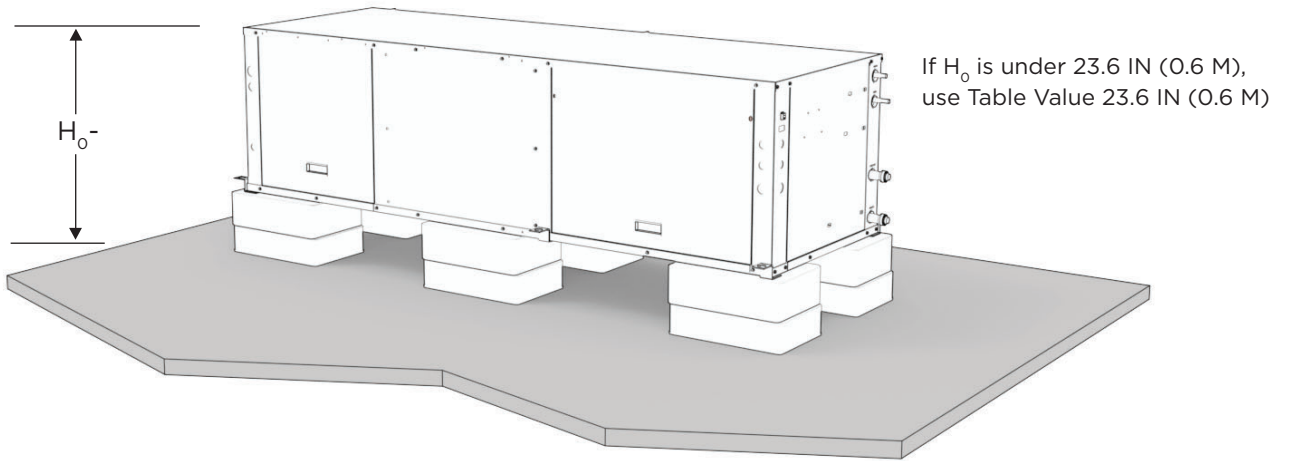
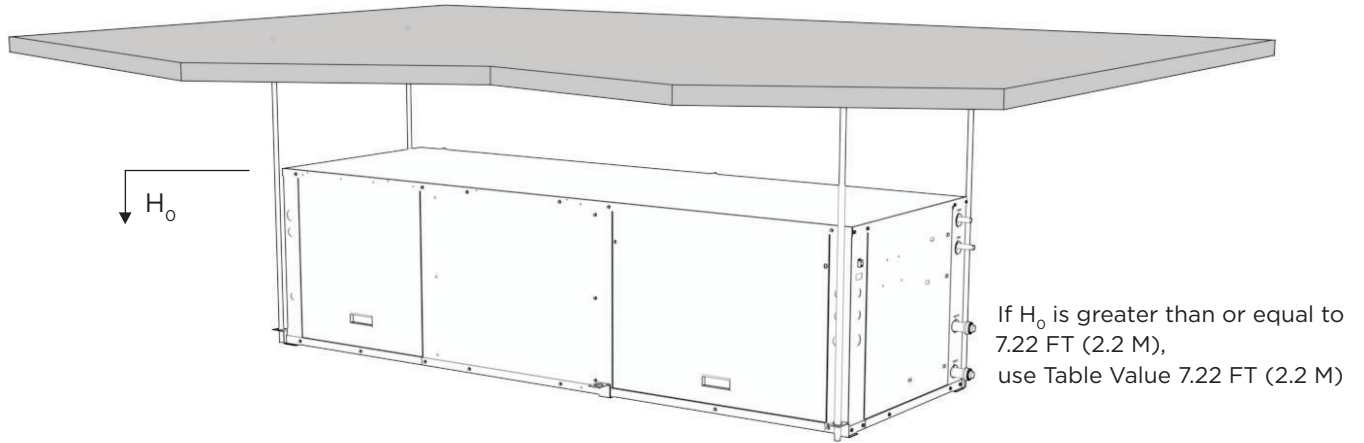
$H_{alt}$		AF
meter	ft	
0	0	1.00
200	656	1.00
400	1312	1.00
600	1968	1.00
800	2624	1.02
1000	3280	1.05
1200	3937	1.07
1400	4593	1.10
1600	5249	1.12
1800	5905	1.15
2000	6561	1.18
2200	7217	1.21
2400	7874	1.25
2600	8530	1.28
2800	9186	1.32
3000	9842	1.36
3200	Not recommended	

When the location of the installation is above 1969 ft (600m), the Altitude Adjustment Factor in the table is needed to calculate the minimum room size".

Example: For instance, if you are installing a O48 vertical unit. If your elevation is 5249 ft (1600m) your area factor would be 1.12. If your charge weight is 76oz (2.154kg) at a floor height installation. The  $A_{min}$  would be 127.0 square Ft or (11.9 square meters). Take 113.4 square Ft X 1.12 for a new  $A_{min}$  of 127.0 square feet (11.9 square meters).

Model	Configuration	$H_o$			Charge		$A_{min}$		$Q_{min}$		$TA_{min}$	
		in	ft	m	lbm	oz	ft2	m2	cfm	m3/h	ft2	m2
048	Vertical	54.4	4.5	1.4	4.8	76	113.4	10.5	128.5	218.4	71.2	6.6
060/072	Vertical	58.4	4.87	1.48	6.1	98	126.5	11.8	165.5	281.3	91.8	8.5

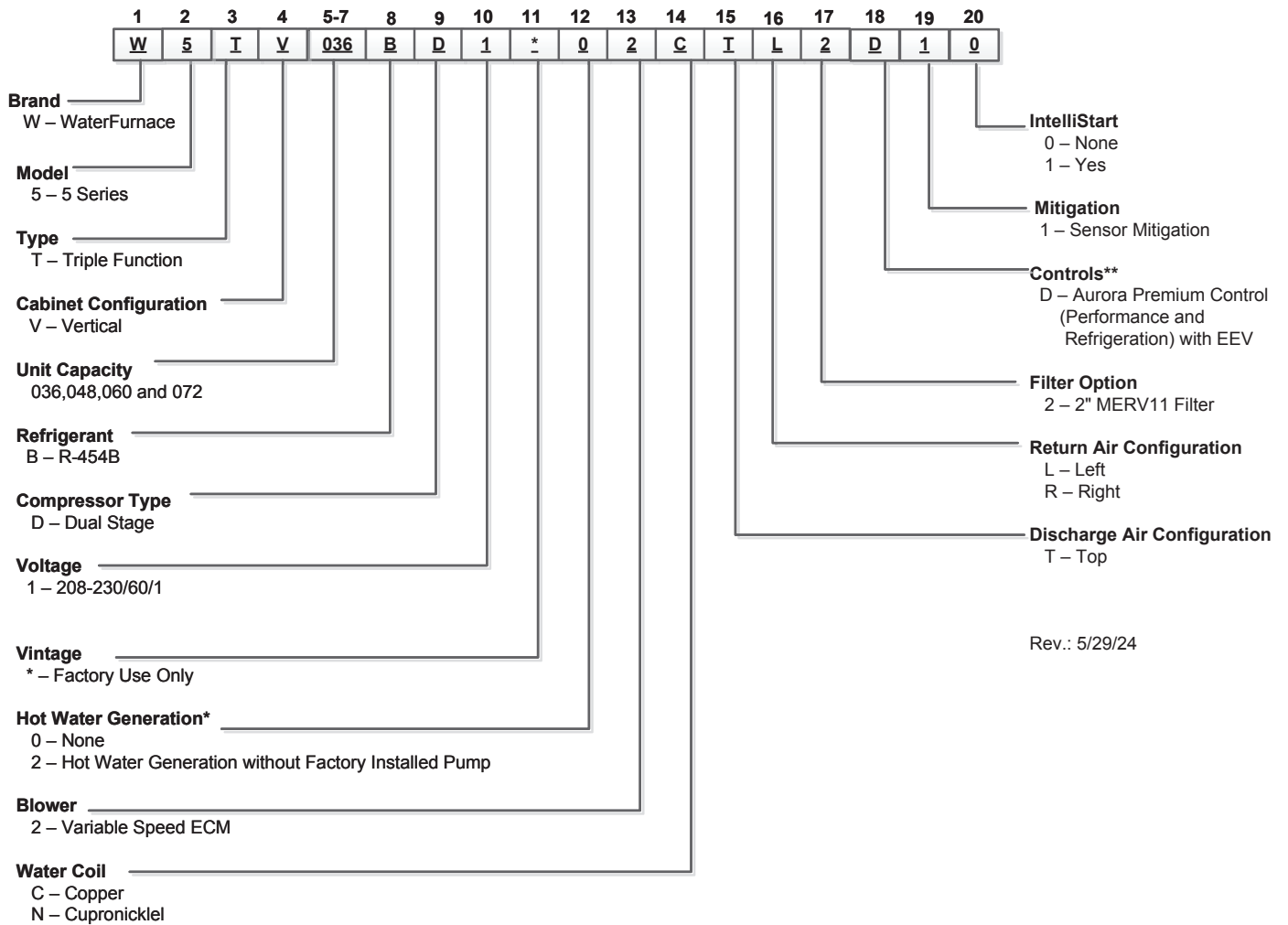
## General Installation Information



If  $H_o$  is between these values, use the table to calculate  $A_{min}$ .

## General Installation Information

### Model Nomenclature




Rev.: 5/29/24

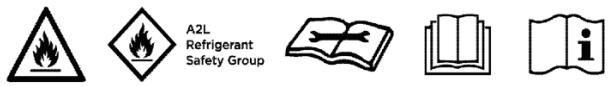
**Notes:**

\*The factory installed Hot Water option (hot water generator) does not include a factory mounted circulating pump. Kit DPK6 (ordered separately) includes field installed circulator, hot water tank adaptor, and installation instructions.

\*\*Load side flow meter shipped with unit, must be field installed

# Serial Plate - Example

Unit Nomenclature and Serial Number	<b>MODEL:</b>	<b>S/N:</b> 999999999																																																									
	<b>JOB #:</b>	Manufactured Fort Wayne, Indiana USA																																																									
Unit Voltage	<table border="1"> <thead> <tr> <th colspan="5">Electrical Service</th> </tr> <tr> <th>VAC/PHASE</th> <th>Hz</th> <th>FLA</th> <th>MIN CIRCUIT AMPS</th> <th>MIN/MAX VAC</th> </tr> </thead> <tbody> <tr> <td> </td> <td> </td> <td> </td> <td> </td> <td> </td> </tr> </tbody> </table>					Electrical Service					VAC/PHASE	Hz	FLA	MIN CIRCUIT AMPS	MIN/MAX VAC																																												
Electrical Service																																																											
VAC/PHASE	Hz	FLA	MIN CIRCUIT AMPS	MIN/MAX VAC																																																							
Fuse/Breaker Size	<table border="1"> <thead> <tr> <th colspan="2">Short-Circuit Current</th> <th colspan="3">Fuse Circuit Breaker Size</th> </tr> <tr> <th>kA Symmetrical</th> <th>0</th> <th>Max Fuse Time Delay</th> <th>US Max HACR</th> <th>Canada Max</th> </tr> </thead> <tbody> <tr> <td> </td> <td> </td> <td> </td> <td> </td> <td> </td> </tr> <tr> <td>V Maximum</td> <td>0</td> <td> </td> <td> </td> <td> </td> </tr> </tbody> </table>					Short-Circuit Current		Fuse Circuit Breaker Size			kA Symmetrical	0	Max Fuse Time Delay	US Max HACR	Canada Max						V Maximum	0																																					
Short-Circuit Current		Fuse Circuit Breaker Size																																																									
kA Symmetrical	0	Max Fuse Time Delay	US Max HACR	Canada Max																																																							
V Maximum	0																																																										
Component Electrical Information	<table border="1"> <thead> <tr> <th>Component</th> <th>Qty</th> <th>LRA</th> <th>RLA/MRC</th> <th>FLA</th> <th>VAC</th> <th>PH</th> <th>HP</th> <th>KW</th> </tr> </thead> <tbody> <tr><td> </td><td> </td><td> </td><td> </td><td> </td><td> </td><td> </td><td> </td><td> </td></tr> <tr><td> </td><td> </td><td> </td><td> </td><td> </td><td> </td><td> </td><td> </td><td> </td></tr> <tr><td> </td><td> </td><td> </td><td> </td><td> </td><td> </td><td> </td><td> </td><td> </td></tr> <tr><td> </td><td> </td><td> </td><td> </td><td> </td><td> </td><td> </td><td> </td><td> </td></tr> <tr><td> </td><td> </td><td> </td><td> </td><td> </td><td> </td><td> </td><td> </td><td> </td></tr> </tbody> </table>					Component	Qty	LRA	RLA/MRC	FLA	VAC	PH	HP	KW																																													
Component	Qty	LRA	RLA/MRC	FLA	VAC	PH	HP	KW																																																			
Unit Restrictions	<table border="1"> <thead> <tr> <th colspan="5">Other Data</th> </tr> </thead> <tbody> <tr> <td>Min. distance to combustible surface (in/cm)</td> <td colspan="4">/</td> </tr> <tr> <td>Max. outlet air temperature (F/C)</td> <td colspan="4">/</td> </tr> <tr> <td>Max. external static pressure (in water/Pa)</td> <td colspan="4">/</td> </tr> <tr> <td>Max. inlet water temperature (F/C)</td> <td colspan="4">/</td> </tr> <tr> <td>Max. inlet water pressure (in water/Pa)</td> <td colspan="4">/</td> </tr> </tbody> </table>					Other Data					Min. distance to combustible surface (in/cm)	/				Max. outlet air temperature (F/C)	/				Max. external static pressure (in water/Pa)	/				Max. inlet water temperature (F/C)	/				Max. inlet water pressure (in water/Pa)	/																											
Other Data																																																											
Min. distance to combustible surface (in/cm)	/																																																										
Max. outlet air temperature (F/C)	/																																																										
Max. external static pressure (in water/Pa)	/																																																										
Max. inlet water temperature (F/C)	/																																																										
Max. inlet water pressure (in water/Pa)	/																																																										
Auxiliary Heater Kit Electrical Installation	<table border="1"> <thead> <tr> <th>CK BOX</th> <th>Heater Model</th> <th>Supply Circuit</th> <th>KW</th> <th>Min CIR AMP</th> <th>Max Fuse</th> <th>Max BRKR</th> </tr> </thead> <tbody> <tr> <td> </td> <td> </td> <td> </td> <td> </td> <td> </td> <td> </td> <td> </td> </tr> </tbody> </table> <p>Mark heater installed with "X" in check box. For actual heater rating, see marking inside of unit.</p> <p>Cocher "X" pour indiquer le modele installe pour les caracteristiques nominales des unites de chauffe voir le marquage a l'interieur.</p>					CK BOX	Heater Model	Supply Circuit	KW	Min CIR AMP	Max Fuse	Max BRKR																																															
CK BOX	Heater Model	Supply Circuit	KW	Min CIR AMP	Max Fuse	Max BRKR																																																					
Unit Comments	<table border="1"> <thead> <tr> <th colspan="5">Comments</th> </tr> </thead> <tbody> <tr><td> </td><td> </td><td> </td><td> </td><td> </td></tr> <tr><td> </td><td> </td><td> </td><td> </td><td> </td></tr> <tr><td> </td><td> </td><td> </td><td> </td><td> </td></tr> <tr><td> </td><td> </td><td> </td><td> </td><td> </td></tr> </tbody> </table>					Comments																																																					
Comments																																																											
Installation Requirements	<p>Warning:</p> <p>Floor area for storage or operation must meet the minimum requirements shown.</p> <table border="1"> <tr> <td>Minimum room area (operating or storage)</td> <td>0 ft<sup>2</sup></td> <td>0 m<sup>2</sup></td> </tr> <tr> <td>Minimum installation height</td> <td>0 ft</td> <td>0 m</td> </tr> </table> <p>Note: For Minimum room areas at higher installation heights, see installation and operation manual.</p> <p>"For Installation Only in Locations Not Accessible to the General Public"</p>					Minimum room area (operating or storage)	0 ft <sup>2</sup>	0 m <sup>2</sup>	Minimum installation height	0 ft	0 m																																																
Minimum room area (operating or storage)	0 ft <sup>2</sup>	0 m <sup>2</sup>																																																									
Minimum installation height	0 ft	0 m																																																									
Refrigerant Type and Charge Amount	<table border="1"> <thead> <tr> <th>Refrigerant Type</th> <th>Refrigerant Charge/Circuit</th> <th>Design Pressure</th> </tr> </thead> <tbody> <tr> <td>R-454B</td> <td>OZ kg</td> <td>psi Mpa High: Low:</td> </tr> </tbody> </table>					Refrigerant Type	Refrigerant Charge/Circuit	Design Pressure	R-454B	OZ kg	psi Mpa High: Low:																																																
Refrigerant Type	Refrigerant Charge/Circuit	Design Pressure																																																									
R-454B	OZ kg	psi Mpa High: Low:																																																									



## General Installation Information

### NOTICE

#### Application

Units are not intended for heating domestic (potable water) by direct coupling. If used for this type of application, a secondary heat exchanger must be used.

#### Moving and Storage

Move units in the normal “up” orientation. Horizontal units may be moved and stored per the information on the packaging. Do not stack more than three units in total height. Vertical units may be stored one upon another to a maximum height of two units. Do not attempt to move units while stacked. When the equipment is received, all items should be carefully checked against the bill of lading to be sure all crates and cartons have been received. Examine units for shipping damage, removing the units from the packaging if necessary. Units in question should also be internally inspected. If any damage is noted, the carrier should make the proper notation on the delivery receipt, acknowledging the damage.

#### Unit Location

Locate the unit in an indoor area that allows for easy removal of the filter and access panels. Location should have enough space for service personnel to perform maintenance or repair. Provide sufficient room to make water, electrical and duct connection(s). If the unit is located in a confined space, such as a closet, provisions must be made for return air to freely enter the space by means of a louvered door, etc. Any access panel screws that would be difficult to remove after the unit is installed should be removed prior to setting the unit.

#### Filter Rack Conversion

A 2 in. MERV 11 filter is shipped with the heat pump. To field convert the filter rack to use 1 in. filters, simply insert the provided plastic push pins into the holes located in the filter rack. There are holes on the top and bottom of the rack, underneath the instruction labels, for field conversion to 1 in. filters.

#### Installing Vertical Units

Prior to setting the unit in place, remove and discard the compressor hold down shipping bolt located at the front of the compressor mounting bracket.

Vertical units are available in left or right air return configurations. Top and rear air discharge vertical units should be mounted level on a vibration absorbing pad slightly larger than the base to provide isolation between the unit and the floor. It is not necessary to anchor the unit to the floor (see below).

#### Vertical Unit Mounting



## General Installation Information cont.

### Duct System

An air outlet collar is provided on vertical top flow units to facilitate a duct connection, which is shipped inside the unit. A flexible connector is recommended for discharge and return air duct connections on metal duct systems. Uninsulated duct should be insulated with a minimum of 1 in. duct insulation. Application of the unit to uninsulated ductwork in an unconditioned space is not recommended as the unit's performance will be adversely affected.

If the unit is connected to existing ductwork, a previous check should have been made to assure that the duct has the capacity to handle the air required for the unit application. If ducting is too small, as in the replacement of heating only systems, larger ductwork should be installed. All existing ductwork should be checked for leaks and repaired when necessary.

The duct system should be sized to handle the design airflow quietly. To maximize sound attenuation of the unit blower, the supply and return plenums should include internal duct liner of glass fiber or be of ductboard construction for the first few feet. If air noise or excessive airflow is a problem, the blower speed can be changed. See the Blower Performance and Blower Speed sections.

**NOTE:** When attaching ductwork or accessories to the cabinet, make sure the fasteners do not come into contact with the air coil.

### Water Piping

The proper water flow must be provided to each unit whenever the unit operates. To assure proper flow, use pressure/temperature ports to determine the flow rate. These ports should be located at the supply and return water connections on the unit. The proper flow rate cannot be accurately set without measuring the water pressure drop through the refrigerant-to-water heat exchanger.

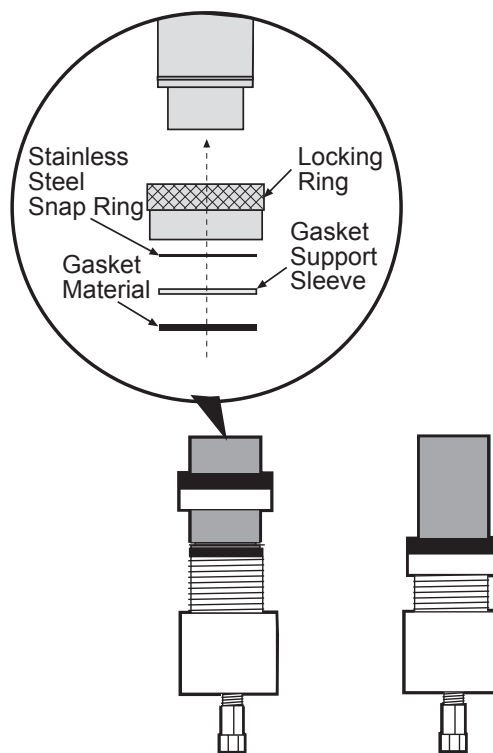
All unit source water connections are swivel piping fittings that accept a 1 in. Male Pipe Thread (MPT) (see Female Locking Ring illustration). The swivel pipe connector has a rubber gasket seal similar to a garden hose gasket, which when mated to the flush end of 1 in. threaded pipe provides a leak-free seal without the need for thread sealing tape or compound. Check to ensure that the rubber seal is in the swivel connector prior to attempting any connection. The rubber seals are shipped attached to the water line.

To make the connection to a ground loop system, mate the brass connector (supplied in CK4LI and CK4L-GLI connector kits) against the rubber gasket in the swivel connector, and thread the female locking ring onto the pipe threads, while maintaining the brass connector in the desired direction (see Female Locking Ring illustration).

Tighten the connectors by hand and then gently snug the fitting with pliers to provide a leak proof joint. When connecting to an open loop (ground water) system, thread 1 in. MPT fitting (schedule 80 PVC or copper) into the swivel connector and tighten in the same manner as noted above. The open and closed loop piping system must include pressure/temperature taps for serviceability.

Never use flexible hoses smaller than 1 in. inside diameter on the unit and limit hose length to 10 ft. per connection. Check carefully for water leaks.

### Female Locking Ring



**NOTE:** Load side fittings are same type as source.

### Condensate Drain

The internal condensate drain assembly consists of a drain tube, which is attached to the drain pan, a 3/4 in. PVC female adapter, and a flexible connecting hose. The female adapter may exit either the front or the side of the vertical cabinet. The adapter will be glued to the field-installed PVC condensate piping. A condensate hose is inside all cabinets as a trapping loop; therefore, an external trap is not necessary.

## Water Quality

Material		Copper	90/10 Cupronickel	316 Stainless Steel
pH	Acidity/Alkalinity	7 - 9	7 - 9	7 - 9
Scaling	Calcium and Magnesium Carbonate	(Total Hardness) less than 350 ppm	(Total Hardness) less than 350 ppm	(Total Hardness) less than 350 ppm
Corrosion	Hydrogen Sulfide	Less than 0.5 ppm (rotten egg smell appears at 0.5 ppm)	10 - 50 ppm	Less than 1 ppm
	Sulfates	Less than 125 ppm	Less than 125 ppm	Less than 200 ppm
	Chlorine	Less than 0.5 ppm	Less than 0.5 ppm	Less than 0.5 ppm
	Chlorides	Less than 20 ppm	Less than 125 ppm	Less than 300 ppm
	Carbon Dioxide	Less than 50 ppm	10 - 50 ppm	10 - 50 ppm
	Ammonia	Less than 2 ppm	Less than 2 ppm	Less than 20 ppm
	Ammonia Chloride	Less than 0.5 ppm	Less than 0.5 ppm	Less than 0.5 ppm
	Ammonia Nitrate	Less than 0.5 ppm	Less than 0.5 ppm	Less than 0.5 ppm
	Ammonia Hydroxide	Less than 0.5 ppm	Less than 0.5 ppm	Less than 0.5 ppm
	Ammonia Sulfate	Less than 0.5 ppm	Less than 0.5 ppm	Less than 0.5 ppm
	Total Dissolved Solids (TDS)	Less than 1000 ppm	1000 - 1500 ppm	1000 - 1500 ppm
	LSI Index	+0.5 to -0.5	+0.5 to -0.5	+0.5 to -0.5
Iron Fouling (Biological Growth)	Iron, FE <sup>2+</sup> (Ferrous) Bacterial Iron Potential	< 0.2 ppm	< 0.2 ppm	< 0.2 ppm
	Iron Oxide	Less than 1 ppm, above this level deposition will occur	Less than 1 ppm, above this level deposition will occur	Less than 1 ppm, above this level deposition will occur
Erosion	Suspended Solids	Less than 10 ppm and filtered for max. of 600 micron size	Less than 10 ppm and filtered for max. of 600 micron size	Less than 10 ppm and filtered for max. of 600 micron size
	Threshold Velocity (Fresh Water)	< 6 ft/sec	< 6 ft/sec	< 6 ft/sec

**NOTES:** Grains = ppm divided by 17 mg/L is equivalent to ppm

2/22/12

## Water Quality

It is the responsibility of the system designer and installing contractor to ensure that acceptable water quality is present and that all applicable codes have been met in these installations. Failure to adhere to the guidelines in the water quality table could result in loss of warranty. In ground water situations where scaling could be heavy or where biological growth such as iron bacteria will be present, a closed loop system is recommended. The heat exchanger coils in ground water systems may, over a period of time, lose heat exchange capabilities due to a buildup of mineral deposits inside. These can be cleaned, but only by a qualified service mechanic, as special solutions and pumping equipment are required. Hot water generator coils can likewise become scaled and possibly plugged. In areas with extremely hard water, the owner should be informed that the heat exchanger may require occasional flushing.

Heat pumps with cupronickel heat exchangers are recommended for open loop applications due to the increased resistance to build-up and corrosion, along with reduced wear caused by acid cleaning.

## Water Treatment

Do not use untreated or improperly treated water. Equipment damage may occur. The use of improperly treated or untreated water in this equipment may result in scaling, erosion, corrosion, algae or slime. Purchase of a pre-mix antifreeze could

significantly improve system reliability if the water quality is controlled and there are additives in the mixture to inhibit corrosion. There are many examples of such fluids on the market today such as Environol™ 1000 (pre-mix ethanol), and others. The services of a qualified water treatment specialist should be engaged to determine what treatment, if any, is required. The product warranty specifically excludes liability for corrosion, erosion or deterioration of equipment.

The heat exchangers and water lines in the units are copper or cupronickel tube. There may be other materials in the buildings piping system that the designer may need to take into consideration when deciding the parameters of the water quality. If antifreeze or water treatment solution is to be used, the designer should confirm it does not have a detrimental effect on the materials in the system.

## Contaminated Water

In applications where the water quality cannot be held to prescribed limits, the use of a secondary or intermediate heat exchanger is recommended to separate the unit from the contaminated water. The table above outlines the water quality guidelines for unit heat exchangers. If these conditions are exceeded, a secondary heat exchanger is required. Failure to supply a secondary heat exchanger where needed will result in a warranty exclusion for primary heat exchanger corrosion or failure.

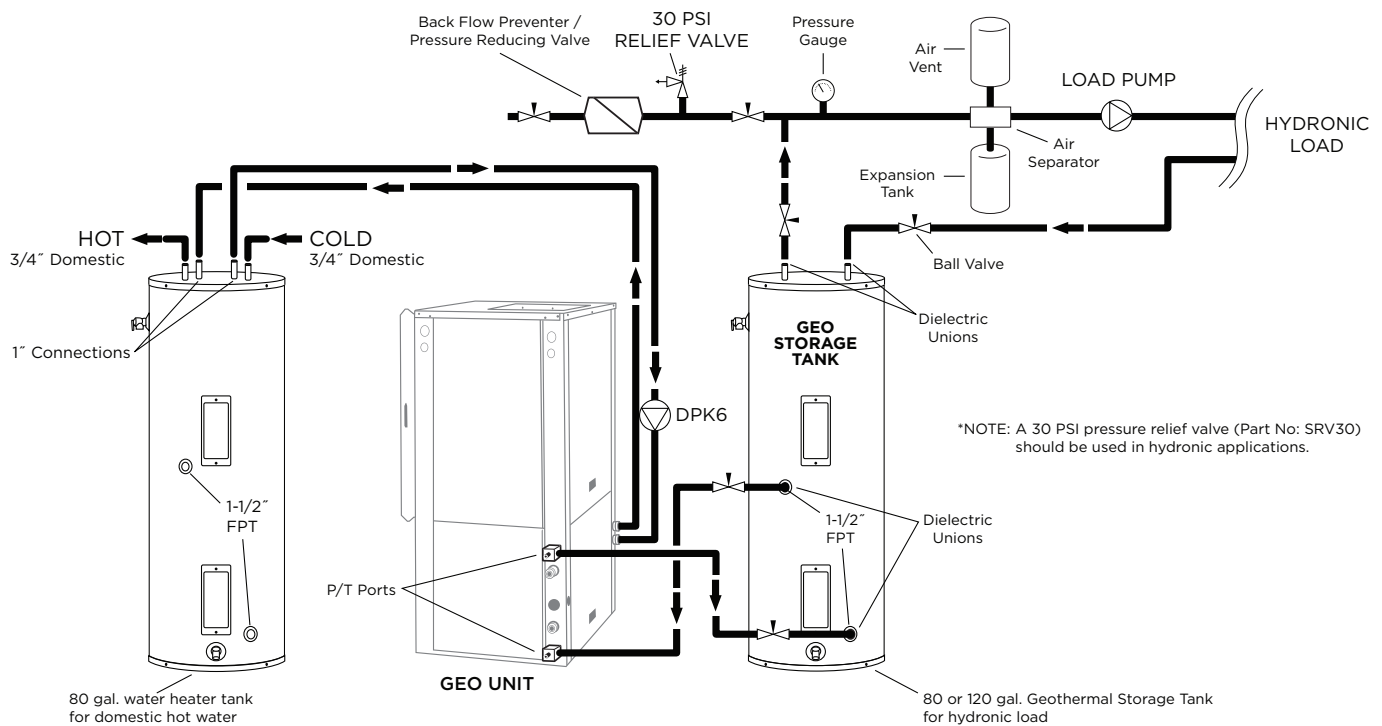
## Hot Water Generator Connections

To maximize the benefits of the hot water generator a minimum 50-gallon water heater is recommended. For higher demand applications, use an 80-gallon water heater as shown below or two 50-gallon water heaters connected in a series. Electric water heaters are recommended. Make sure all local electrical and plumbing codes are met for installing a hot water generator. The unit is not supplied with an internal circulator. A DPK5 kit will need to be purchased to connect to the hot water generator. The DPK5 kit is supplied with installation instructions, circulator, tank

adaptor and temperature limit switch. Be sure to burp the pump. Open the screw 2 turns only in the end of the pump motor (if Grundfos® pumps are used) to allow trapped air to be discharged and to ensure the motor housing has been flooded. A water softener is recommended with hard water (greater than 10 grains or 170 ppm total hardness).

## Typical Buffer Tank Installation

### Unit with Hydronic Storage Tank and Domestic Water Heater Tank



**NOTE: Due to compressor reliability direct to load application are not recommended. A buffer tank must be installed in the system.**

### Hydronic Storage Tank Recommendations

Unit Model	Copper I.D. Pipe Size (in)	Flow Rates (GPM)	Maximum Feet of Pipe One Way	Total Number of Elbows	Required Storage Tank Size	Required Manufactures Storage Tank Part Number
036	1.25	9	30'	10	80 U.S. Gals	Geo-Storage 80
048	1.25	12	30'	10	80 U.S. Gals	Geo-Storage 80
060	1.25	15	30'	10	120 U.S. Gals	Geo-Storage 120
072	1.50	18	30'	10	120 U.S. Gals	Geo-Storage 120

## Hydronic Section

General guidelines are shown below for component selection and design/installation criteria for the piping system. Local codes supersede any recommendations in this manual.

**Shut off/flow regulation valves:** Use full port ball valves or gate valves for component isolation. If valves are going to be used frequently, ball valves are recommended. Globe valves are designed for flow regulation. Always install globe valves in the correct direction (fluid should enter through the lower body chamber).

**Check valves:** Swing check valves must be installed in the horizontal position with the bonnet of the valve upright. Spring check valves can be mounted in any position. A flow check valve is required to prevent thermo-siphoning (or gravity flow) when the circulator pump is off or when there are two circulators on the same system.

**Storage (Buffer) tank:** A buffer tank is required for all hydronic heating systems using hydronic heat pumps. The tank should be sized to provide 2 gallons of storage capacity for every one thousand btuh's of nominal heat pump capacity.

**Pressure relief valve:** Most codes require the use of a pressure relief valve if a closed loop heat source can be isolated by valves. Even if local code does not require this device, installation is recommended. If the pressure relief valve in the buffer tank is not already rated at 30 psi (207 kPa) maximum pressure, one must be installed. The pressure relief valve should be tested at start up for operation. This valve can also be used during initial filling of the system to purge air. Note that the waste pipe must be at least the same diameter as the valve outlet (never reduce), and valves may not be added to this pipe. The bottom of the pipe must terminate at least 6" (15 cm) above the floor. If the piping is connected to a drain, there must be an air gap.

**Backflow prevention check valves:** Most codes require backflow prevention check valves. Note that a single check valve is not equal to a backflow prevention check valve. Even if local code does not require this device, installation is recommended. This is particularly important if the system will use antifreeze.

**Pressure reducing valves or feed water valves:** This valve lowers the pressure from the make-up water line to the system. Most are adjustable and directional. A "fast fill" valve is required for initial filling of the system. Some have screens, which must be cleaned after the initial filling. If there is a

restriction in the screen, the system could go to 0 psi (0 kPa), potentially causing pumps(s) failure. A valve should be installed on each side of the pressure reducing valve for servicing. Both valves should have tags reading "Do not shut this valve under normal operation - service valve only".

**Expansion tanks:** Expansion tanks are required on hydronic systems to help absorb the pressure swings as the temperature in the system fluctuates.

**Elbows/tees:** Long radius elbows or two 45° elbows will lower pressure drop. Standard tees have a greater restriction on the "T" portion than tees designed with angled outlet ports.

**Antifreeze:** Antifreeze is required if any of the piping system is located in areas subject to freezing.

**Dielectric unions:** Dielectric unions are recommended whenever connecting two dissimilar metals to one and other to prevent electro-galvanic corrosion.

When using the various types of hydronic heat distribution systems, the temperature limits of the geothermal system must be a major consideration. In new construction, the distribution system can easily be designed with the temperature limits in mind. In retrofits, care must be taken to address the operating temperature limits of the existing distribution system. The maximum storage tank temperature for the unit is 130°F (54.4°C). Typical in floor radiant systems require much lower temperatures, typically 100°-115°F, which is ideal for the unit.

The unit uses an external temperature sensor such as the lower thermostat in a water heater storage tank to control the tank temperature. The thermostat should be wired to the unit AXB2 Control Board P17 RED wires. When the tank temperature drops below the thermostat setting the contacts in the thermostat will close and initiate a signal to the unit to heat water.

A storage tank must be used to store the heated water supplied by the unit. It is not recommended to send heated water from the unit directly to the hydronic zones since the unit also has the ability to condition the space with forced air. There must be adequate storage capacity in the storage tank to accommodate the hydronic load while the unit is operating in forced air mode. The hydronic storage tank should be sized to provide 2 gallons of storage capacity for every one thousand Btuh's of nominal heat pump capacity.

## Hydronic Section cont.

Adequate rate of flow (GPM) is very important to system performance and long term reliability. Follow the guidelines for recommended flow and pipe sizing in the recommendations table.

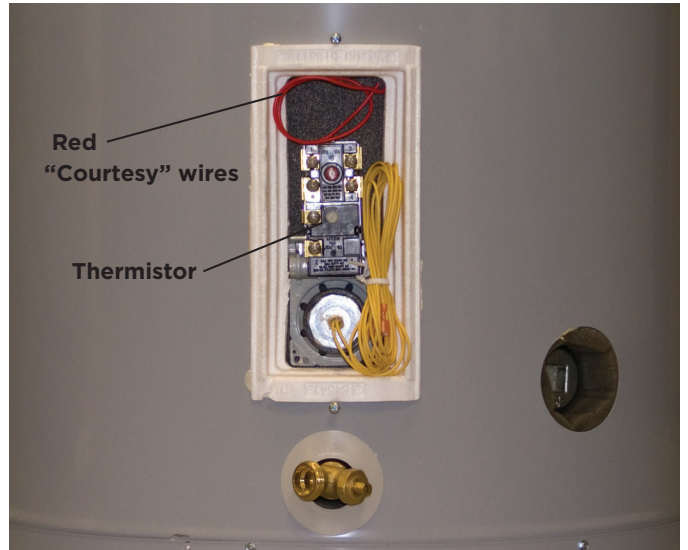
A storage tank must be used to store the heated water supplied by the unit. It is not recommended to send heated water from the unit directly to the hydronic zones since the unit also has the ability to condition the space with forced air. There must be adequate storage capacity in the storage tank to accommodate the hydronic load while the unit is operating in forced air mode. The hydronic storage tank should be sized to provide 2 gallons of storage capacity for every one thousand Btuh's of nominal heat pump capacity.

Adequate rate of flow (GPM) is very important to system performance and long term reliability. Follow the guidelines for recommended flow and pipe sizing in the unit recommendations table.

Be sure to burp the pump. Open the screw 2 turns only in the end of the pump motor (if Grundfos® pumps are used) to allow trapped air to be discharged and to ensure the motor housing has been flooded.

Connect the yellow wires inside the tank to the red "courtesy" wires as shown in the image. The red "courtesy" wires exit the top of the tank. These wires need to be connected to the P17 RED wires on the AXB2 Control Board.

### Geothermal Storage Tank Thermostat



***Yellow wires must be connected to the red "courtesy" wires.***

## Electrical Connections

### General

Be sure the available power is the same voltage and phase as that shown on the unit serial plate. Line and low voltage wiring must be done in accordance with local codes or the National Electric Code, whichever is applicable.

### Unit Power Connection

Connect the incoming line voltage wires to L1 and L2 of the contactor as shown in Figure 13C for single-phase unit. Consult the unit's serial plate data for correct fuse sizes.

**NOTE:** A disconnection must be incorporated in the fixed wiring in accordance with the wiring rules/NEC.

Open lower front access panel. Remove ground fastener from bottom of control box (Figure 13B). Swing open control box (Figure 13A). Insert power wires through knockouts on lower left side of cabinet. Route wires through left side of control box and connect to contactor and ground (Figure 13C). Close control box and replace grounding fastener before unit start-up.

### Accessory Relay

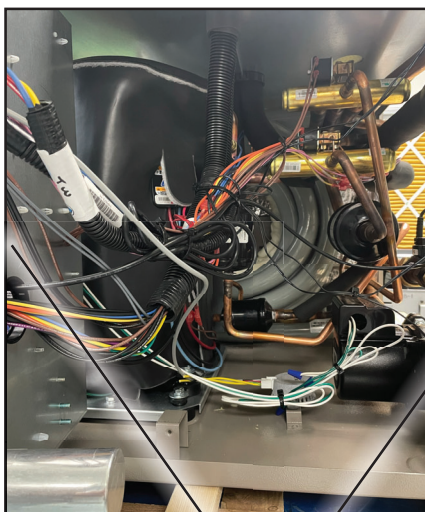
A set of "dry" contacts has been provided to control accessory devices, such as water solenoid valves on open loop installations, electronic air cleaners, humidifiers, etc. This relay contact should be used only with 24 volt signals and not line voltage power. The relay has both normally open and normally closed contacts and can operate with either the fan or the compressor. Use DIP switch SW2-4 and 5 to cycle the relay with blower, compressor, or control a slow opening water valve. The relay contacts are available on terminals #1 and #3 for normally closed, and #2 and #3 for normally open on P2.

A second configurable accessory relay is provided on the AXB board, if installed. When powering high VA draw components such as electronic air cleaners or V type open loop water valves, R should be taken 'pre-fuse' from the 'R' quick connect on the ABC board and not the 'post-fuse' 'R' terminal on the thermostat connection. If not, blown ABC fuses might result.

### 208 Volt Operation

All 208/230 units are factory wired for 230 volt operation. For 208 volt operation, the red and blue transformer wires must be switched on terminal strip PB2.

**Figure 13A:**  
Wire access (control box open)



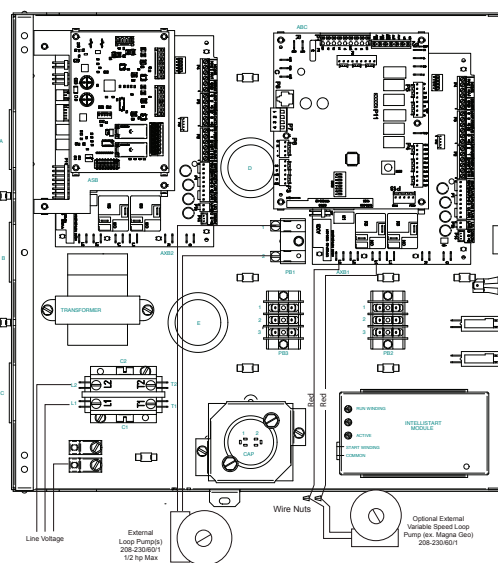
Wire Insert Location

**Figure 13B:**  
Wire access (control box closed)



Ground Fastener must be installed for proper unit ground

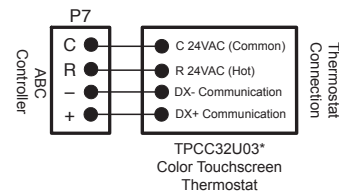
**Figure 13C:**  
Line Voltage 208-230/60/1 control box



## Electronic Thermostat Installation

Position the thermostat subbase against the wall so that it is level and the thermostat wires protrude through the middle of the subbase. Mark the position of the subbase mounting holes and drill holes with a 3/16-inch bit. Install supplied anchors and secure base to the wall. Thermostat wire must be 4 or 5 conductor for communicating thermostats, 20-AWG (minimum) wire. Shielded communication cable is recommended. Strip the wires back 1/4-inch (longer strip lengths may cause shorts) and insert the thermostat wires into the P7 connector as shown. Tighten the screws to ensure secure connections. The thermostat may have either screw or spring clip connectors, requiring the same wiring. **See instructions enclosed in the thermostat for detailed installation and operation information.**

**Figure 22: Thermostat Wiring (Communicating Style Signals)**



## Pump Wiring

*See Pump Installation Manual*

## Blower Performance Data

### Setting Blower Speed - Variable Speed ECM

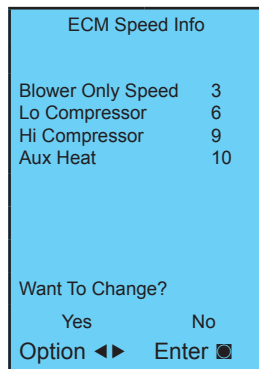
The ABC board's Yellow Config LED will flash the current ECM blower speed selections for "G", low, and high continuously with a short pause in between. The speeds can also be confirmed with the AID Tool under the Setup/ECM Setup screen. The Aux will not be flashed but can be viewed in the AID Tool. The ECM blower motor speeds can be field adjusted with or without using an AID Tool.

#### ECM Setup without an AID Tool

The blower speeds for "G", Low (Y1), High (Y2), and Aux can be adjusted directly at the Aurora ABC board which utilizes the push button (SW1) on the ABC board. This procedure is outlined in the ECM Configuration Mode portion of the Aurora 'Base' Control System section. The Aux cannot be set manually without an AID Tool.

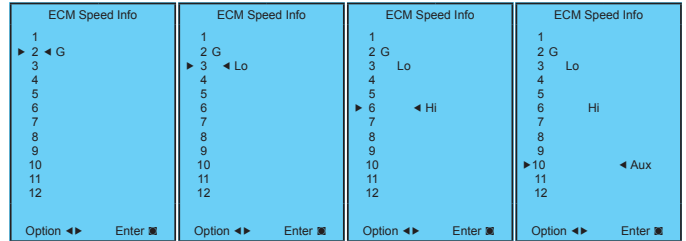
#### ECM Setup with an AID Tool

A much easier method utilizes the AID Tool to change the airflow using the procedure below. First navigate to the Setup screen and then select ECM Setup. This screen displays the current ECM settings. It allows the technician to enter the setup screens to change the ECM settings. Change the highlighted item using the ◀ and ▶ buttons and then press the ◻ button to select the item.



Selecting YES will enter ECM speed setup, while selecting NO will return to the previous screen.

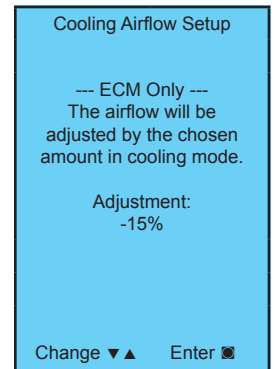
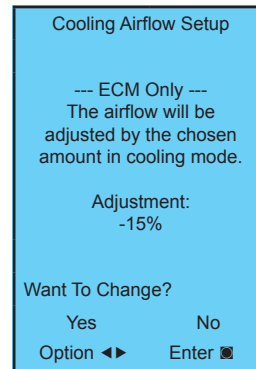
**ECM Speed Setup** - These screens allow the technician to



select the "G", low, high, and auxiliary heat blower speed for the ECM blower motor. Change the highlighted item using the ▲ and ▼ buttons. Press the ◻ button to select the speed.

After the auxiliary heat speed setting is selected the AID Tool will automatically transfer back to the ECM Setup screen.

**Cooling Airflow Setup** - These screens allow the technician to select -15%, -10%, -5%, None or +5%. Change the adjustment percentage using the ▲ and ▼ buttons. Press the ◻ button to save the change.

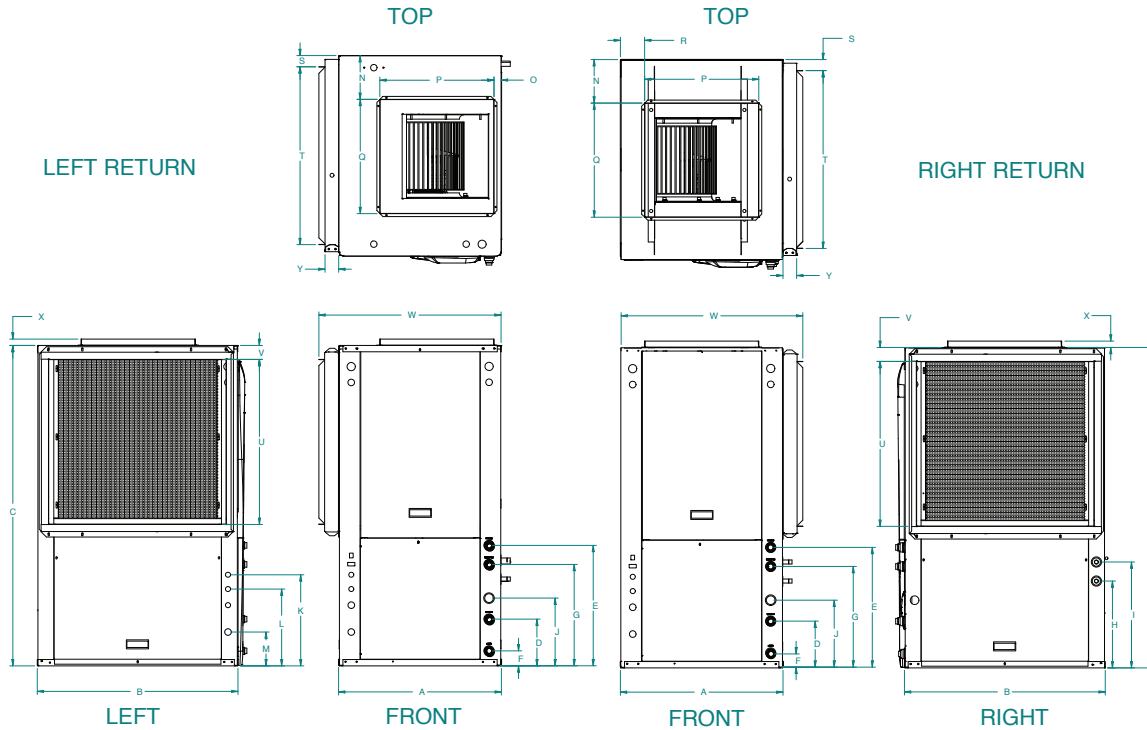


MODEL	MAX ESP	AIR FLOW SPEED SETTINGS											
		1	2	3	4	5	6	7	8	9	10	11	12
036	0.50	650	750 G	850	1000	<b>1100</b> L	<b>1200</b>	<b>1300</b> H	<b>1400</b>	<b>1500</b>	1550 Aux		
048	0.50	650	800 G	900	1050	1150	<b>1250</b>	<b>1350</b> L	<b>1450</b>	<b>1550</b> H	1575 Aux		
060	0.75	800	950 G	1100	1300	<b>1500</b> L	<b>1750</b>	<b>1950</b> H	<b>2100</b>	<b>2300</b>	2325 Aux		
072	0.75	800	950 G	1100	1300	<b>1500</b> L	<b>1750</b>	<b>1950</b> H	<b>2100</b>	<b>2300</b>	2325 Aux		

Factory settings are at recommended G-L-H-Aux speed settings  
 L-H settings MUST be located within boldface CFM range  
 "Aux" is factory setting for auxiliary heat and must be equal to or above the "H" setting as well as at least the minimum required for the auxiliary heat package  
 "G" may be located anywhere within the airflow table  
 CFM is controlled within ±5% up to the maximum ESP  
 Max ESP includes allowance for wet coil and standard filter

# Vertical Dimensional Data

## Topflow Discharge



Vertical Topflow Model	Overall Cabinet			Water Connections										Electrical Connections			
	A Width	B Depth	C Height	D Loop In	E Hydronic Out	F Hydronic In	G Loop Out	H HWG In	I HWG Out	J Condensate	Loop Water FPT	Hydronic Water FPT	HWG (O.D.)	K 1/2" cond	L 1/2" cond	M 3/4" cond	
														Low Votage	Ext Pump	Power Supply	
036	in.	25.6	31.6	50.4	7.3	18.9	2.3	15.9	13.6	16.6	10.6	1" Swivel	1" Swivel	1/2" Stub	14.4	12.1	5.3
	cm.	65.0	80.3	128.0	18.5	48.0	5.8	40.4	34.5	42.2	26.9				36.6	30.7	13.5
048	in.	25.6	31.6	54.4	7.3	18.9	2.3	15.9	15.9	18.9	10.6	1" Swivel	1" Swivel	1/2" Stub	14.4	12.1	5.3
	cm.	65.0	80.3	138.2	18.5	48.0	5.8	40.4	40.4	48.0	26.9				36.6	30.7	13.5
060	in.	25.6	31.6	58.4	7.3	18.9	2.3	15.9	15.9	18.9	10.6	1" Swivel	1" Swivel	1/2" Stub	14.4	12.1	5.3
	cm.	65.0	80.3	148.3	18.5	48.0	5.8	40.4	40.4	48.0	26.9				36.6	30.7	13.5
072	in.	25.6	31.6	58.4	7.3	18.9	2.3	15.9	15.9	18.9	10.6	1" Swivel	1" Swivel	1/2" Stub	14.4	12.1	5.3
	cm.	65.0	80.3	148.3	18.5	48.0	5.8	40.4	40.4	48.0	26.9				36.6	30.7	13.5

Vertical Topflow Model	Discharge Connection duct flange installed (±0.10 in)						Return Connection using std deluxe filter rack (±0.10 in)					Misc	
	N	O	P Supply Width	Q Supply Depth	R	S	T Return Depth	U Return Height	V	W	X	Y	
036	in.	6.9	1.1	18.0	18.0	3.8	1.7	28.1	26.0	1.7	28.7	1.0	2.1
	cm.	17.5	2.8	45.7	45.7	9.7	4.3	71.4	66.0	4.3	72.9	2.5	5.3
048	in.	6.9	1.1	18.0	18.0	3.8	1.7	28.1	30.0	1.7	28.7	1.0	2.1
	cm.	17.5	2.8	45.7	45.7	9.7	4.3	71.4	76.2	4.3	72.9	2.5	5.3
060	in.	6.9	1.1	18.0	18.0	3.8	1.7	28.1	34.0	1.7	28.7	1.0	2.1
	cm.	17.5	2.8	45.7	45.7	9.7	4.3	71.4	86.4	4.3	72.9	2.5	5.3
072	in.	6.9	1.1	18.0	18.0	3.8	1.7	28.1	34.0	1.7	28.7	1.0	2.1
	cm.	17.5	2.8	45.7	45.7	9.7	4.3	71.4	86.4	4.3	72.9	2.5	5.3

Condensate is 3/4" PVC female glue socket and is switchable from side to front  
 Unit shipped with deluxe 2" (field adjustable to 1") duct collar/filter rack extending from unit 3.25" and is suitable for duct connection.  
 Discharge flange is field installed and extends 1" [25.4mm] from cabinet  
 Decorative molding and water connections extend 1.2" [30.5mm] beyond front of cabinet.

11/14/23

## Physical Data

Model	036	048	060	072
Compressor (1 each) Factory Charge R-454B, oz [kg]	<b>Copeland Scroll</b>			
	62 [1.75]	76 [2.15]	98 [2.77]	98 [2.77]
<b>ECM Fan Motor &amp; Blower</b>				
Fan Motor Type/Speeds	<b>ECM Variable Speed</b>			
Fan Motor- hp [W]	1/2 [373]	1/2 [373]	1 [746]	1 [746]
Blower Wheel Size (Dia x W), in. [mm]	11 x 10 [279 x 254]	11 x 10 [279 x 254]	11 x 10 [279 x 254]	11 x 10 [279 x 254]
<b>Coax and Water Piping</b>				
Loop Water Connections Size - Swivel - in [mm]	1" [25.4]	1" [25.4]	1" [25.4]	1" [25.4]
Hydronic Water Connections Size - Swivel - in [mm]	1" [25.4]	1" [25.4]	1" [25.4]	1" [25.4]
HWG Connection Size - Stub - in [mm]	1/2" [12.7]	1/2" [12.7]	1/2" [12.7]	1/2" [12.7]
Coax & Piping Water Volume - gal [l]	1.3 [4.9]	1.6 [6.1]	1.6 [6.1]	1.6 [6.1]
<b>Vertical</b>				
Air Coil Dimensions (H x W), in. [mm]	28 x 25 [711 x 635]	32 x 25 [813 x 635]	36 x 25 [914 x 635]	36 x 25 [914 x 635]
Air Coil Total Face Area, ft <sup>2</sup> [m <sup>2</sup> ]	4.9 [0.451]	5.6 [0.570]	6.3 [0.641]	6.3 [0.641]
Air Coil Tube Size, in [mm]	3/8 [9.5]	3/8 [9.5]	3/8 [9.5]	3/8 [9.5]
Air Coil Number of rows	3	3	4	4
Filter Standard - 2" [51mm] Pleated MERV11 Disposable, in [mm]	28 x 30 [712 x 762]	32 x 30 [813 x 762]	36 x 30 [914 x 762]	36 x 30 [914 x 762]
Weight - Operating, lb [kg]	425	530	540	540
Weight - Packaged, lb [kg]	445	550	560	560

11/2/23

## Reference Calculations

Heating Calculations:	Cooling Calculations:
$LWT = EWT - \frac{HE}{gpm \times 500}$	$LWT = EWT + \frac{HR}{gpm \times 500}$
$LAT = EAT + \frac{HC}{cfm \times 1.08}$	$LAT (DB) = EAT (DB) - \frac{SC}{cfm \times 1.08}$
$TH = HC + HW$	$LC = TC - SC$
	$S/T = \frac{SC}{TC}$

## Operating Limits

Operating Limits	Cooling		Heating	
	°F	°C	°F	°C
<b>Air Limits</b>				
Minimum Ambient Air	45	7.2	45	7.2
Rated Ambient Air	80	26.7	70	21.1
Max. Ambient Air	100	37.8	85	29.4
Minimum Entering Air	50	10.0	40	4.4
Rated Entering Air db/wb	80.6/66.2	27/19	68	20.0
Maximum Entering Air db/wb	110/83	43/28.3	80	26.7
<b>Water Limits</b>				
Minimum Entering Water	30	-1.1	20	-6.7
Normal Entering Water	50-110	10-43.3	30-70	-1.1
Maximum Entering Water	120	48.9	90	32.2

**NOTES:** Minimum/maximum limits are only for start-up conditions, and are meant for bringing the space up to occupancy temperature. Units are not designed to operate at the minimum/maximum conditions on a regular basis. The operating limits are dependant upon three primary factors: 1) water temperature, 2) return air temperature, and 3) ambient temperature. When any of the factors are at the minimum or maximum levels, the other two factors must be at the normal level for proper and reliable unit operation.

## Refrigerant Removal and Evacuation

When breaking into the refrigerant circuit to make repairs – or for any other purpose conventional procedures shall be used. However, for flammable refrigerants it is important that best practice be followed, since flammability is a consideration.

The following procedure shall be adhered to:

- safely remove refrigerant following local and national regulations;
- evacuate;
- purge the circuit with inert gas (optional for A2L);
- evacuate (optional for A2L);
- continuously flush or purge with inert gas when using flame to open circuit; and
- open the circuit.

The refrigerant charge shall be recovered into the correct recovery cylinders if venting is not allowed by local and national codes. For appliances containing flammable refrigerants, the system shall be purged with oxygen-free nitrogen to render the appliance safe for flammable refrigerants.

This process might need to be repeated several times. Compressed air or oxygen shall not be used for purging refrigerant systems. For appliances containing flammable refrigerants, refrigerants purging shall be achieved by breaking the vacuum in the system with oxygen-free nitrogen and continuing to fill until the working pressure is achieved, then venting to atmosphere, and finally pulling down to a vacuum (optional for A2L). This process shall be repeated until no refrigerant is within the system (optional for A2L). When the final oxygen-free nitrogen charge is used, the system shall be vented down to atmospheric pressure to enable work to take place. The outlet for the vacuum pump shall not be close to any potential ignition sources, and ventilation shall be available.

## Charging Procedures

In addition to conventional charging procedures, the following requirements shall be followed.

- Ensure that contamination of different refrigerants does not occur when using charging equipment.
- Hoses or lines shall be as short as possible to minimise the amount of refrigerant contained in them.
- Cylinders shall be kept in an appropriate position according to the instructions.
- Ensure that the REFRIGERATING SYSTEM is earthed prior to charging the system with refrigerant.
- Label the system when charging is complete (if not already).
- Extreme care shall be taken not to overfill the REFRIGERATING SYSTEM.

Prior to recharging the system, it shall be pressure-tested with the appropriate purging gas. The system shall be leak-tested on completion of charging but prior to commissioning. A follow up leak test shall be carried out prior to leaving the site.

## Refrigerant Recovery

When removing refrigerant from a system, either for servicing or decommissioning, it is recommended good practice that all refrigerants are removed safely.

When transferring refrigerant into cylinders, ensure that only appropriate refrigerant recovery cylinders are employed. Ensure that the correct number of cylinders for holding the total system charge is available. All cylinders to be used are designated for the recovered refrigerant and labelled for that refrigerant (i.e. special cylinders for the recovery of refrigerant). Cylinders shall be complete with pressure-relief valve and associated shut-off valves in good working order. Empty recovery cylinders are evacuated and, if possible, cooled before recovery occurs.

The recovery equipment shall be in good working order with a set of instructions concerning the equipment that is at hand and shall be suitable for the recovery of the flammable refrigerant. If in doubt, the manufacturer should be consulted. In addition, a set of calibrated weighing scales shall be available and in good working order. Hoses shall be complete with leak-free disconnect couplings and in good condition.

The recovered refrigerant shall be processed according to local legislation in the correct recovery cylinder, and the relevant waste transfer note arranged. Do not mix refrigerants in recovery units and especially not in cylinders.

If compressors or compressor oils are to be removed, ensure that they have been evacuated to an acceptable level to make certain that flammable refrigerant does not remain within the lubricant. The compressor body shall not be heated by an open flame or other ignition sources to accelerate this process. When oil is drained from a system, it shall be carried out safely.

## Unit Startup



It is highly recommended the installing/servicing contractor obtain an Aurora Interface and Diagnostic Tool (AID) and specialized training before attempting to install or service an Aurora 'Advanced' control system.

### Before Powering Unit, Check the Following:

**NOTE:** Remove and discard the compressor hold down shipping bolt located at the front of the compressor mounting bracket.

- Black/white and gray/white wires in unit control box have been removed if auxiliary heat has been installed.
- Dip switches are set correctly.
- Transformer switched to 208V if applicable.
- High voltage is correct and matches nameplate.
- Fuses, breakers and wire size correct.
- Low voltage wiring complete.
- Piping completed and water system cleaned and flushed.
- Air is purged from closed loop system.
- Isolation valves are open, water control valves or loop pumps wired.
- Condensate line open and correctly pitched.
- Hot water generator pump switch is "OFF" unless piping is completed and air has been purged.
- Blower rotates freely.
- Blower speed is correct.
- Air filter/cleaner is clean and in position.
- Service/access panels are in place.
- Return air temperature is between 50-80°F heating and 60-95°F cooling.
- Check air coil cleanliness to ensure optimum performance. Clean as needed according to maintenance guidelines. To obtain maximum performance the air coil should be cleaned before startup. A 10% solution of dishwasher detergent and water is recommended for both sides of coil, a thorough water rinse should follow.

## Powering The Controls

### Initial Configuration of the Unit

Before operating the unit, apply power and complete the following Aurora Startup procedure for the controls configuration. An AID Tool is recommended for setup, configuration and troubleshooting, especially with an Aurora 'Advanced' Control. AID Tool version 2.04 or greater is preferred.

#### 1. Configure Aurora Screen

- a. In advanced controls - Confirm AXB1, AXB2 and ASB are added and communicating.
- b. In advanced controls - Confirm communicating thermostats are added and communicating. Set thermostat mode to off.

#### 2. Aurora Setup Screen

- a. ECM Setup for Heating Airflow - select "G", low, high and aux blower speeds as appropriate for the unit and electric heat.
- b. Cooling Airflow % - sets the cooling airflow % from heating airflow. Factory setting is -15%.
- c. AXB Setup
  - i. DHW Enable - Ensure air is purged from HW system before enabling (remember

- the HW switch on the front cabinet)
- ii. DHW Setpoint - 130 °F is the default but can be changed from 100 to 140 °F
- iii. FCV1-GL, FCV2-GL Pump Setup and Modulating Water Valve Setup - Can be setup to a range between 5% and 100%. Defaults are 75% and 100%.
  - From the Main Menu of the AID Tool go to AXB1 Setup and select "Yes" at the bottom of the screen to Make Changes
  - Set VS Pump Control to MIN
  - The pump(s) or water valve should begin to operate and flow rate is visible on this screen, it may take several seconds for flow to stabilize. Adjust the minimum % until the minimum flow rate is achieved.
  - Go back to Set VS Pump Control and select MAX.
  - The pump(s) or water valve should begin to operate and flow rate is visible on this screen, it may take several seconds for flow to stabilize. Adjust the maximum % until the maximum flow rate is achieved.
  - Press Enter.

#### d. Sensor Kit Setup

- i. Brine Selection - for HE/HR capacity calculation
- ii. Flow Meter - activates the flow meter
- iii. Select blower energy - ECM/5-Speed ECM Select 1 in flow meter
- iv. Activate energy option
- v. Fan and Aux heat current sensor activation
- vi. Line Voltage calibration - Voltmeter required to calibrate line voltage during heat or cooling. Refer to Line Voltage Calibration in this manual for more details.
- vii. Load Brine Selection - for HE capacity calculation
- viii. Load Flow Meter - 1 in

#### e. Smart Grid Setup - Select Action option for utility received on-peak signal

#### f. Home Automation 1 & 2 Setup - Select type of sensor for two home automation inputs.

##### 3D Setup

- i. Heating Priority - Hydronic or Forced Air Override Time - 5 to 20 minutes
- ii. Cooling Priority - Hydronic or Forced Air Override Time - 5 to 20 minutes

#### g. Hydronic Setup

- i. Soft Hydro Enable OFF/ON
- ii. Tank Setpoint
- iii. Load Pump Sample Time 2, 3 or 4 minutes
- iv. Tank Deadband Temperature 2-15 F
- v. Tank Offset -5 to 5 F
- vi. OAT Source None, AXB2 or TStat OAT
- vii. EH Lockout Disable or 40 F
- viii. WWS Temp Disable or 40 - 65 F
- ix. Outdoor Reset
  - Low OAT Temp 0- 20 F
  - Low Tank SP 130 - 80 F
  - High OAT Temp 40 - 60 F
  - High Tank SP 80

## Unit Startup cont.

### Configuring the Sensor Kits

#### Configuring the Sensor kits

The Aurora Advanced Control allows Refrigeration, Energy, and Performance Monitoring sensor kits. These kits can be factory or field installed. The following description is for field activation of a factory installation of the sensor kits.

#### Energy Monitoring

The Energy Monitoring Kit includes two current transducers (fan and electric heat) added to the existing two compressor sensors so that the complete power usage of the heat pump can be measured. The AID Tool provides configuration detail for the type of blower motor, a line voltage calibration procedure to improve the accuracy, and a power adjustment setting that allows the compressor power to be adjusted to match the unit's line voltage using the provided tables. This information can be displayed on the AID Tool or selected communicating thermostats. The TPCC32U03 will display instantaneous energy use and will also display a 13 month history in graph form. Ensure the Energy Kit has been enabled by accessing the 'Sensor Kit Setup' in the AID Tool and complete the following:

- a. Select 'Blower Energy' - ECM/5-Speed ECM
- b. Activate 'Energy Option' to activate the sensors on for compressor (2), fan and aux heat current sensor.
- c. Select 'Pump' option of FC1, FC2, VS Pump, VS+26-99, or open loop. This selects the pump watts used in the calculation. Pump watts are not measured but estimated.
- d. Line Voltage Calibration - Voltmeter required to calibrate line voltage during heating or cooling. Refer to Line Voltage Calibration in this manual for more details.
  - i. Turn on Unit in Heating or Cooling
  - ii. Use multimeter at L1 and L2 to measure line voltage
  - iii. In the Sensor Kit Setup screen adjust the 'Base Voltage' to the nearest value to that is measured
  - iv. Then use the 'Fine Adjust' to select the exact voltage being measured at L1 and L2
  - v. Exit 'Sensor Setup' Screen
- e. Power Adjustment: Refer to the Single Speed and Dual Capacity Power Adjustment tables in the Aurora 'Advanced' Control section of the literature
  - i. On the Main Menu screen select Setup
  - ii. Once in the Setup menu select the Power Adjustment Factor
  - iii. Power Adjustment - allows you to enter the unit's compressor power setting for high and low speed operation. Refer to the tables and use the voltage that is closest to the unit's line voltage and set the power adjustment accordingly.

- f. Energy monitoring can be read on any of the following components:
  - i. AID Tool - instantaneous information only
  - ii. TPCC32U03 Thermostat - Both Instantaneously and historical (13 months)
  - iii. Web Portal via AWL device connected to Aurora

#### Refrigerant Monitoring

The Refrigerant Monitoring Kit includes two pressure transducers, and three temperature sensors, heating liquid line, suction temperature and existing cooling liquid line (FP1). These sensors allow the measurement of discharge and suction pressures, suction and liquid line temperatures as well as superheat and subcooling. This information will only be displayed on the AID Tool. Ensure the Refrigerant Monitoring has been setup by accessing the 'Sensor Kit Setup' in the AID Tool and complete the following: Once sensors are installed for discharge pressure, suction pressure, suction, liquid line cooling, liquid line heating and leaving air temperature no further setup is required.

- a. Turn on Unit in Heating or Cooling.
- b. Use the AID Tool to view the refrigerant performance in the 'Refrigerant Monitor' screen.
- c. Refrigerant monitoring can be read on any of the following components:
  - i. AID Tool - instantaneous information only
  - ii. WF Web Portal via AWL device connected to Aurora

#### Performance Monitoring

The optional Performance Monitoring Kit includes three temperature sensors, entering and leaving water, leaving air temperature and a water flow rate sensor. With this kit heat of extraction and rejection will be calculated. This requires configuration using the AID Tool for selection of water or antifreeze. Ensure the Energy Kit has been enabled by accessing the 'Sensor Kit Setup' in the AID Tool and complete the following:

- a. Select 'Brine' - and then choose Water or Antifreeze for the proper factor
- b. Activate 'Flowmeter' to activate the flow sensor select the 1 in. (036-072)
- c. Exit Sensor Kit Setup Screen; if the unit is connected to a Variable Speed Flow Center the min/max flow rate must be set.
  - i. Enter the AXB Setup Screen and turn the VS Pump Control On.

## Unit Startup cont.

- ii. Then set the VS Pump Min % to achieve at least 2.5 gpm per ton for part load operation.
- iii. Then set the VS Pump Max % to achieve at least 3.0 gpm per ton for full load operation.
- d. Turn on Unit in Heating or Cooling.
- e. Use the AID Tool to view the performance in the 'Performance Monitor' screen.
- f. Performance monitoring can be read on any of the following components:
  - i. AID tool - instantaneous information only
  - ii. Web Portal via AWL device connected to Aurora.

### Startup Steps

**NOTE:** Complete the Equipment Start-Up/Commissioning Check Sheet during this procedure. Refer to thermostat operating instructions and complete the startup procedure. Verify that the compressor shipping bolt has been removed.

1. Initiate a control signal to energize the blower motor. Check blower operation through the AID Tool.
2. Initiate a control signal to place the unit in the cooling mode. Cooling setpoint must be set below room temperature.
3. First stage cooling will energize after a time delay.
4. Be sure that the compressor and water control valve or loop pump(s) are activated.
5. Verify that the water flow rate is correct by measuring the pressure drop through the heat exchanger using the P/T plugs and comparing to unit performance data in catalog.
6. Check the temperature of both the supply and discharge water (see the Unit Operating Parameters tables).
7. Check for an air temperature drop of 15°F to 25°F across the air coil, depending on the fan speed and entering water temperature.
8. Decrease the cooling set point several degrees and verify high-speed blower operation.
9. Adjust the cooling setpoint above the room temperature and verify that the compressor and water valve or loop pumps deactivate.
10. Initiate a control signal to place the unit in the heating mode. Heating set point must be set above room temperature.
11. First stage heating will energize after a time delay.
12. Check the temperature of both the supply and discharge water (see the Unit Operating Parameters tables).
13. Check for an air temperature rise of 12°F to 35°F across the air coil, depending on the fan speed and entering water temperature.
14. If auxiliary electric heaters are installed, increase the heating setpoint until the electric heat banks are sequenced on. All stages of the auxiliary heater should be sequenced on when the thermostat is in the Emergency Heat mode. Check amperage of each element.

15. Adjust the heating setpoint below room temperature and verify that the compressor and water valve or loop pumps deactivate.
16. During all testing, check for excessive vibration, noise or water leaks. Correct or repair as required.
17. Set system to desired normal operating mode and set temperature to maintain desired comfort level.
18. Instruct the owner/operator in the proper operation of the thermostat and system maintenance.

**NOTE:** Be certain to fill out and forward all warranty registration papers.

### Freeze Protection

If the heat pump exhibits an E-5 lockout (FPI freeze protection). You must wait 5 hours before you can power cycle the unit to clear the lockout. Failure to wait 5 hours could lead to the coaxial heat exchanger freezing and bursting. Bursting of the coaxial heat exchanger could also lead to refrigerant being introduced to the source waterflow.

## Notes

## Revision Guide

Pages:	Description:	Date:	By:
All	Document Creation	21 July 2023	MA



Manufactured by  
WaterFurnace International, Inc.  
9000 Conservation Way  
Fort Wayne, IN 46809  
www.waterfurnace.com

Product: **5 Series 3D**  
Type: Geothermal Heat Pump with Water Heating  
for Radiant Floor Applications  
Size: 3-6 Ton Dual Capacity  
Document: Installation Guide



# MANUEL D'INSTALLATION

## 5 Series 3D



R-454B / 60 Hz

IGW5-0017W

Informations générales sur l'installation.....	2
Nomenclature.....	6
Qualité de l'eau.....	10
Raccords du générateur d'eau chaude.....	11
Installation du réservoir tampon.....	11
Hydronique.....	12
Raccords électriques.....	14
Installation du thermostat électronique.....	15
Données sur le ventilateur.....	16
Données dimensionnelles.....	17
Données physiques.....	18
Calculs de référence.....	18
Limites de fonctionnement.....	18
Retrait et évacuation du réfrigérant.....	19
Procédures de chargement.....	19
Récupération du réfrigérant.....	20
Démarrage de l'unité.....	21
Guide de révision.....	25

### AVERTISSEMENT

**AVERTISSEMENT : Avant d'effectuer toute opération d'entretien ou de maintenance du système, coupez l'alimentation principale de l'unité. La décharge électrique peut provoquer de graves blessures.**

**AVERTISSEMENT : Tous les produits sont conçus, testés et fabriqués dans le respect de l'édition la plus récente, publiée et disponible, de la norme UL 60335-2-40 relative à la certification de la sécurité électrique. Tous les raccords électriques doivent être conformes aux normes du code national de l'électricité (NEC) et/ou à tout autre code local applicable à l'installation.**

**AVERTISSEMENT : Seul le personnel autorisé par l'usine est habilité à procéder au démarrage, au test de vérification et à la mise en service de cette unité.**

**INSTALLATEUR : Veuillez prendre le temps de lire et de comprendre ces instructions avant toute installation. L'installateur est tenu de remettre une copie de ce manuel au propriétaire.**

### Définition des avertissements et des symboles

 <b>DANGER</b>	Indique une situation entraînant des blessures graves ou mortelles.
 <b>AVERTISSEMENT</b>	Indique une situation qui pourrait entraîner des blessures graves ou mortelles.
 <b>ATTENTION</b>	Indique une situation qui pourrait entraîner des blessures légères ou modérées.
<b>AVIS</b>	Indique une situation qui pourrait endommager l'équipement ou la propriété.

### Pour l'utilisateur

#### AVERTISSEMENT

Cet appareil ne doit pas être utilisé par des personnes (y compris les enfants) ayant des capacités physiques, sensorielles ou mentales réduites, ou n'ayant ni expérience ni compétence nécessaire, à moins que celles-ci ne bénéficient d'une surveillance ou d'instructions concernant l'utilisation de l'appareil de la part d'une personne responsable chargée de veiller à leur sécurité.

Les enfants doivent être sous surveillance afin de s'assurer qu'ils ne jouent pas avec l'appareil.

Gardez ce manuel dans un endroit sûr afin de permettre à votre technicien de disposer des informations nécessaires.

### AVIS

**AVIS : Pour éviter d'endommager l'équipement, ne laissez pas le système rempli dans un bâtiment sans chauffage par temps froid, à moins de prévoir des niveaux d'antigel adéquats pour la protection contre le gel. En effet, les échangeurs de chaleur ne se vident pas complètement et gèlent s'ils ne sont pas protégés, ce qui peut entraîner des dommages permanents.**



## Informations générales sur l'installation

**AVIS : N'installez pas les unités dans un environnement corrosif ou dans des endroits soumis à des températures extrêmes ou à l'humidité élevée. Les conditions corrosives et des températures extrêmes ou à l'humidité élevée peuvent réduire de manière significative le rendement, la fiabilité et la durée de vie de l'appareil.**

**AVIS : Il doit y avoir un espace libre minimal de 61 cm (24 po) pour accéder au panneau d'accès avant et aux panneaux latéraux.**

**AVIS : Pour éviter d'endommager le matériel, N'UTILISEZ PAS ces unités comme source de chauffage ou de refroidissement pendant le processus de construction. Les composants mécaniques et les filtres peuvent rapidement être obstrués par la saleté et les débris de construction, ce qui peut endommager le système et annuler la garantie du produit.**

### Pour l'installateur

Si vous n'êtes PAS certain de savoir comment installer ou faire fonctionner l'unité, contactez votre fournisseur.

L'installation et l'entretien des appareils de climatisation et de chauffage peuvent être dangereux en raison de la pression du système et des composants électriques. Seul un personnel formé et qualifié est habilité à procéder à l'installation, à la réparation ou à l'entretien des appareils de chauffage et de climatisation. Lors d'une intervention sur un appareil de chauffage ou de climatisation, veillez à respecter les précautions indiquées dans la documentation, les étiquettes apposées sur l'appareil et les autres mesures de sécurité éventuellement applicables.

Ce manuel contient des informations spécifiques sur la qualification requise du personnel pour les opérations de maintenance, d'entretien et de réparation. Toute procédure de travail touchant les moyens de sécurité ne doit être effectuée que par des personnes compétentes.

Voici quelques exemples de ces procédures de travail :

- Ouvrir le circuit frigorifique.
- Ouvrir des composants scellés ou des boîtiers ventilés.

Respectez tous les codes de sécurité. Portez des lunettes de sécurité et des gants de travail. Utilisez un chiffon mouillé pour toute opération de brasage. Ayez un extincteur à disposition pour toute opération de brasage. Suivez toutes les procédures pour rester en conformité avec les réglementations nationales relatives aux gaz.

Avant de commencer à travailler sur des systèmes contenant des RÉFRIGÉRANTS INFLAMMABLES, des contrôles de sécurité sont nécessaires pour s'assurer que le risque d'inflammation est minimisé. Les travaux doivent être entrepris selon une procédure contrôlée de manière à minimiser le risque de présence de gaz ou de vapeur inflammable pendant l'exécution des travaux. Le personnel de maintenance et les autres personnes travaillant dans la zone locale doivent être informés de la nature des travaux effectués. Les travaux dans des espaces confinés doivent être évités.

La zone doit être contrôlée à l'aide d'un détecteur de réfrigérant approprié avant et pendant le travail, afin de s'assurer que le technicien est conscient de la présence d'atmosphères potentiellement toxiques ou inflammables. Assurez-vous que le matériel de détection des fuites utilisé convient à une utilisation avec tous les réfrigérants applicables, c'est-à-dire qu'il ne projette pas d'étincelles, qu'il est correctement scellé et intrinsèquement sûr.

Si des travaux à chaud doivent être effectués sur le matériel de réfrigération ou toute pièce associée, un matériel d'extinction d'incendie approprié doit être à portée de main. Gardez un extincteur à poudre sèche ou à CO<sub>2</sub> à proximité de la zone de chargement.

Aucune personne effectuant des travaux sur un SYSTÈME FRIGORIFIQUE impliquant l'exposition d'une tuyauterie ne doit utiliser des sources d'inflammation de manière à présenter un risque d'incendie ou d'explosion. Toutes les sources d'inflammation possibles, y compris l'usage de la cigarette, doivent être maintenues suffisamment loin du site d'installation, de réparation, de retrait et d'élimination, lorsque du réfrigérant peut éventuellement être libéré dans l'espace environnant. Avant de commencer le travail, la zone autour du matériel doit être inspectée pour s'assurer qu'il n'y a pas de risques d'inflammation. Des panneaux « Interdiction de fumer » doivent être affichés.

Lorsque des composants électriques sont remplacés, ils doivent convenir à l'usage prévu et aux spécifications. Les directives d'entretien et de maintenance du fabricant doivent être respectées en tout temps. En cas de doute, consultez le service du soutien technique du fabricant pour obtenir de l'aide.

Les contrôles suivants doivent être appliqués aux installations utilisant des RÉFRIGÉRANTS INFLAMMABLES :

- la CHARGE RÉELLE DE FRIGORIGÈNE est conforme à la taille de la salle dans laquelle les pièces contenant le réfrigérant sont installées;
- le matériel et les sorties de ventilation fonctionnent correctement et ne sont pas obstrués;
- si un circuit frigorifique indirect est utilisé, le circuit secondaire doit être contrôlé pour vérifier la présence de réfrigérant;
- les mentions du matériel demeurent visibles et lisibles. Les mentions et signes illisibles doivent être corrigés;
- les tuyaux ou composants de refroidissement sont installés dans un endroit où ils ne risquent pas d'être exposés à une substance susceptible de corroder les composants contenant du réfrigérant, à moins que les composants ne soient construits en matériaux intrinsèquement résistants à la corrosion ou convenablement protégés contre cette corrosion.

### Instructions pour le matériel utilisant le réfrigérant R-454B

#### AVERTISSEMENT

- **Ne percez ou ne brûlez PAS.**
- **N'utilisez PAS d'autres moyens que ceux recommandés par le fabricant pour accélérer le processus de dégivrage ou pour nettoyer le matériel.**
- **Sachez que les réfrigérants pourraient être inodores.**

#### AVERTISSEMENT

- **L'appareil devrait être entreposé de manière à prévenir les dommages mécaniques et dans un local bien ventilé sans source d'allumage continue (ex., flammes vives, appareil au gaz en marche ou appareil de chauffage électrique en marche) et la taille de la pièce devrait être conforme aux spécifications (voir la section « Détermination de la superficie minimale du plancher »).**

## Informations générales sur l'installation

### AVERTISSEMENT

**Zone ventilée :** Assurez-vous que la zone est à découvert ou qu'elle est correctement ventilée avant d'intervenir dans le système ou de réaliser tout travail à chaud. Un certain degré de ventilation devrait continuer pendant la période pendant laquelle le travail est effectué. La ventilation doit disperser en toute sécurité le réfrigérant libéré et l'expulser de préférence. Maintenez la zone de ventilation dégagée!

### AVERTISSEMENT

**N'UTILISEZ PAS** de sources potentielles d'inflammation pour rechercher ou détecter des fuites de réfrigérant. Il ne faut pas utiliser de lampe haloïde (ou tout autre détecteur utilisant une flamme nue).

Les méthodes de détection de fuites suivantes sont jugées acceptables pour tous les systèmes frigorifiques. Des détecteurs électroniques de fuites peuvent être utilisés pour détecter les fuites de réfrigérant, mais dans le cas de RÉFRIGÉRANTS INFLAMMABLES, la sensibilité pourrait ne pas être adéquate ou nécessiter un nouvel étalonnage. (Le matériel de détection doit être étalonné dans une zone exempte de réfrigérant.) Assurez-vous que le détecteur n'est pas une source potentielle d'inflammation et qu'il convient au réfrigérant utilisé. Le matériel de détection de fuites doit être réglé à un pourcentage de la LII du réfrigérant et doit être étalonné en fonction du réfrigérant utilisé, et le pourcentage approprié de gaz (25 % maximum) doit être confirmé. Les liquides de détection de fuites peuvent également être utilisés avec la plupart des réfrigérants, mais l'utilisation de détergents contenant du chlore doit être évitée parce que le chlore peut réagir avec le réfrigérant et corroder la tuyauterie en cuivre. REMARQUE : Les exemples de liquides de détection de fuites sont la méthode des bulles, les agents de la méthode fluorescente si une fuite est suspectée, les flammes nues doivent être enlevées/éteintes. En cas de fuite de réfrigérant nécessitant une soudure, tout le réfrigérant doit être récupéré du système ou isolé (au moyen de vannes d'isolement) dans une partie du système éloignée de la fuite. Le retrait du réfrigérant doit suivre la procédure décrite dans ce manuel.

## Site d'installation

Cet équipement a été évalué pour être installé à une altitude maximale de 3 000 m (9 843 pi) et ne doit pas être installé à une altitude supérieure. Il doit être uniquement installé dans des endroits interdits d'accès au public.

### AVERTISSEMENT

**Pour les appareils utilisant des réfrigérants A2L reliés par un réseau de conduits d'air à une ou plusieurs salles, seuls les dispositifs auxiliaires approuvés par le fabricant de l'appareil ou déclarés appropriés au réfrigérant doivent être installés dans le réseau de gaines relié. Le fabricant doit lister dans les instructions tous les dispositifs auxiliaires approuvés par fabricant et le numéro de modèle à utiliser avec l'appareil spécifique si ces dispositifs sont susceptibles de devenir une source d'inflammation.**

## Espace d'installation requis

REMARQUE : Le matériel dont la charge de réfrigérant est inférieure à 1,89 L (62 oz) n'exige pas une surface de plancher minimale et ne nécessite pas de capteur de détection de fuite de réfrigérant.

Le capteur peut être ajouté en tant que fonctionnalité.

### AVERTISSEMENT

**Le matériel contenant du réfrigérant R-454B doit être installé, utilisé et entreposé dans une salle dont la surface de plancher est plus grande que la surface définie dans le tableau « Surface de plancher minimale » en fonction de la charge totale de réfrigérant dans le système. Cette exigence s'applique aux équipements intérieurs avec ou sans capteur de fuite de réfrigérant installé en usine.**

### ATTENTION

**Ce matériel nécessite des raccordements à une source d'alimentation en eau. Voir la section « Recommandations pour la qualité de l'eau » de ce manuel pour plus d'informations sur la qualité de l'eau requise pour cette opération. Si une source d'eau potable est utilisée pour l'alimentation en eau de cet appareil, la source d'alimentation en eau doit être protégée contre le siphonnement à rebours par l'équipement.**

### AVERTISSEMENT

**Ce matériel est livré avec un dispositif de détection de réfrigérant installé en usine qui est capable de déterminer sa fin de vie utile spécifiée et les instructions de remplacement. Les capteurs de réfrigérant des systèmes de détection de réfrigérant ne doivent être remplacés que par des capteurs spécifiés par le fabricant de l'appareil.**

### AVERTISSEMENT

**Prenez les précautions suffisantes en cas de fuite de réfrigérant. En cas de fuite de gaz réfrigérant, ventilez immédiatement la zone. RISQUES POSSIBLES : Des concentrations excessives de réfrigérant dans une salle fermée peuvent entraîner un manque d'oxygène.**

### AVERTISSEMENT

**Récupérez TOUJOURS le réfrigérant. NE LE REJETEZ PAS** directement dans l'environnement. Suivez minutieusement les instructions de manipulation conformément aux réglementations nationales.

## Informations générales sur l'installation

### AVERTISSEMENT

Assurez-vous que le câblage ne sera pas soumis à l'usure, à la corrosion, à une pression excessive, à des vibrations, à des bords tranchants ou à tout autre effet nocif de l'environnement. La vérification doit également tenir compte des effets du vieillissement ou des vibrations continues provenant de sources telles que les compresseurs ou les ventilateurs.

### Détermination de la superficie minimale du plancher

Déterminez la charge totale de réfrigérant dans le système. Dans les systèmes emballés de thermopompes, la charge de l'usine doit correspondre à la charge totale du système et il ne devrait y avoir aucune raison d'ajouter de la charge sur le terrain. La plaque signalétique et le tableau des données physiques du matériel doivent servir de référence pour la charge totale. Les thermopompes dont la charge de réfrigérant est de 1,81 L (62 oz) ou plus sont équipées d'un système d'atténuation de réfrigérant installé en usine.

L'équipement de la thermopompe est muni de conduits et utilise le ventilateur pour atténuer les fuites. Une fois que le capteur de fuite de réfrigérant détecte une fuite, le compresseur et le chauffage électrique sont désactivés, et le ventilateur fonctionne en mode de ventilation continue. Cela se produira pendant au moins cinq minutes et une alarme de commande se poursuivra jusqu'à ce que le capteur ne détecte plus de fuite.

La surface minimale d'installation de l'unité,  $S_{\min}$ , est basée sur la charge de réfrigérant et la hauteur d'installation de l'unité, comme indiqué dans le tableau ci-dessous. Puisque cette thermopompe est munie de conduits et utilise le ventilateur pour atténuer les fuites, la surface de plancher zoné ou avec conduits doit être supérieure à  $TA_{\min}$  indiquée dans le tableau ci-dessous. Si la thermopompe est zonée, les amortisseurs doivent s'ouvrir pour permettre au ventilateur de la thermopompe d'atténuer la fuite de réfrigérant. La vitesse du ventilateur en mode continu doit être réglée au-dessus de  $Q_{\min}$ , comme indiqué dans le tableau ci-dessous. Le réglage du ventilateur en mode continu est un réglage d'usine pour dépasser le débit d'air minimal requis pour l'atténuation.

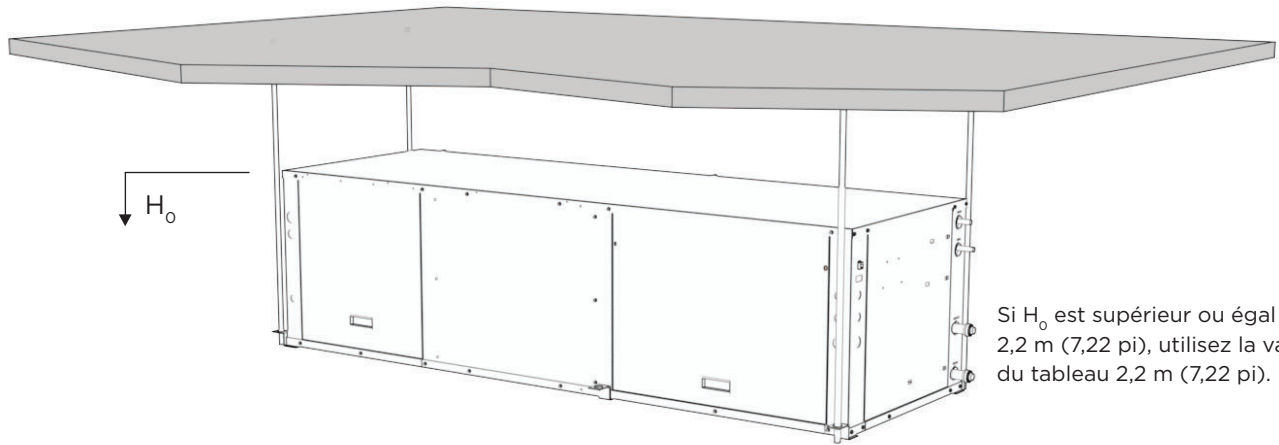
$H_{\text{alte}}$		FC
m	pi	
0	0	1,00
200	656	1,00
400	1312	1,00
600	1 968	1,00
800	2 624	1,02
1 000	3 280	1,05
1 200	3 937	1,07
1 400	4 593	1,10
1 600	5 249	1,12
1 800	5 905	1,15
2 000	6 561	1,18
2 200	7 217	1,21
2 400	7 874	1,25
2 600	8 530	1,28
2 800	9 186	1,32
3 000	9 842	1,36
3 200	Non recommandé	

Lorsque l'emplacement de l'installation est situé au-dessus de 600 m (1 969 pi), le facteur de réglage de l'altitude dans le tableau est nécessaire pour calculer la taille minimale de la pièce.

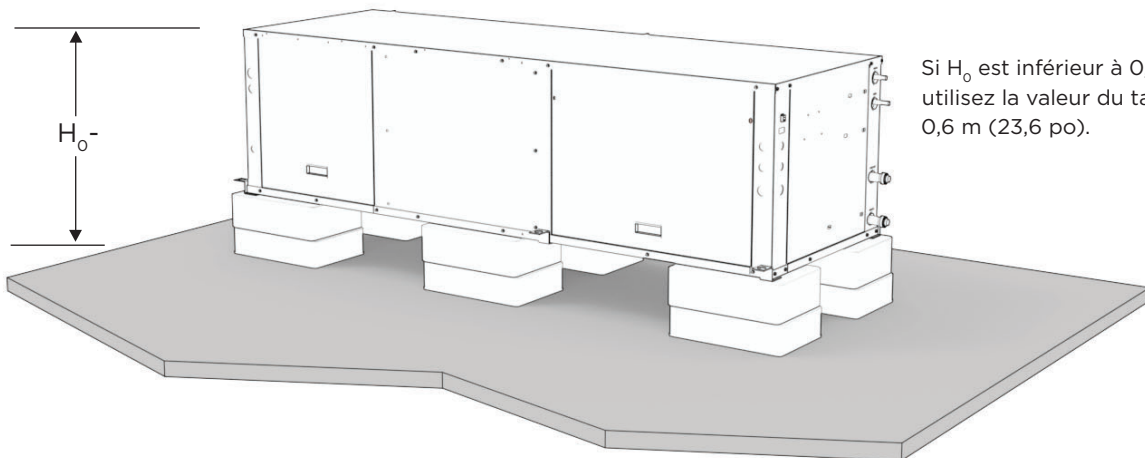
Exemple : si vous installez une unité verticale O48. Si votre altitude est de 1 600 m (5 249 pi), votre facteur de superficie serait de 1,12. Si le poids de votre charge est de 2,154 kg (76 oz) à une installation à hauteur de plancher. La  $S_{\min}$  aurait une superficie de 11,9 m<sup>2</sup> (127 pi<sup>2</sup>). Prenez 113,4 pi<sup>2</sup> x 1,12 pour une nouvelle  $S_{\min}$  de 11,9 m<sup>2</sup> (127 pi<sup>2</sup>).

Modèle	Configuration	$H_o$			Charge		$S_{\min}$		$Q_{\min}$		$TA_{\min}$	
		po	pi	m	lbm	oz	pi <sup>2</sup>	m <sup>2</sup>	pi <sup>3</sup> /min	m <sup>3</sup> /heure	pi <sup>2</sup>	m <sup>2</sup>
048	Verticale	54,4	4,5	1,4	4,8	76	113,4	10,5	128,5	218,4	71,2	6,6
060/072	Verticale	58,4	4,87	1,48	6,1	98	126,5	11,8	165,5	281,3	91,8	8,5

## Informations générales sur l'installation



Si  $H_0$  est supérieur ou égal à 2,2 m (7,22 pi), utilisez la valeur du tableau 2,2 m (7,22 pi).

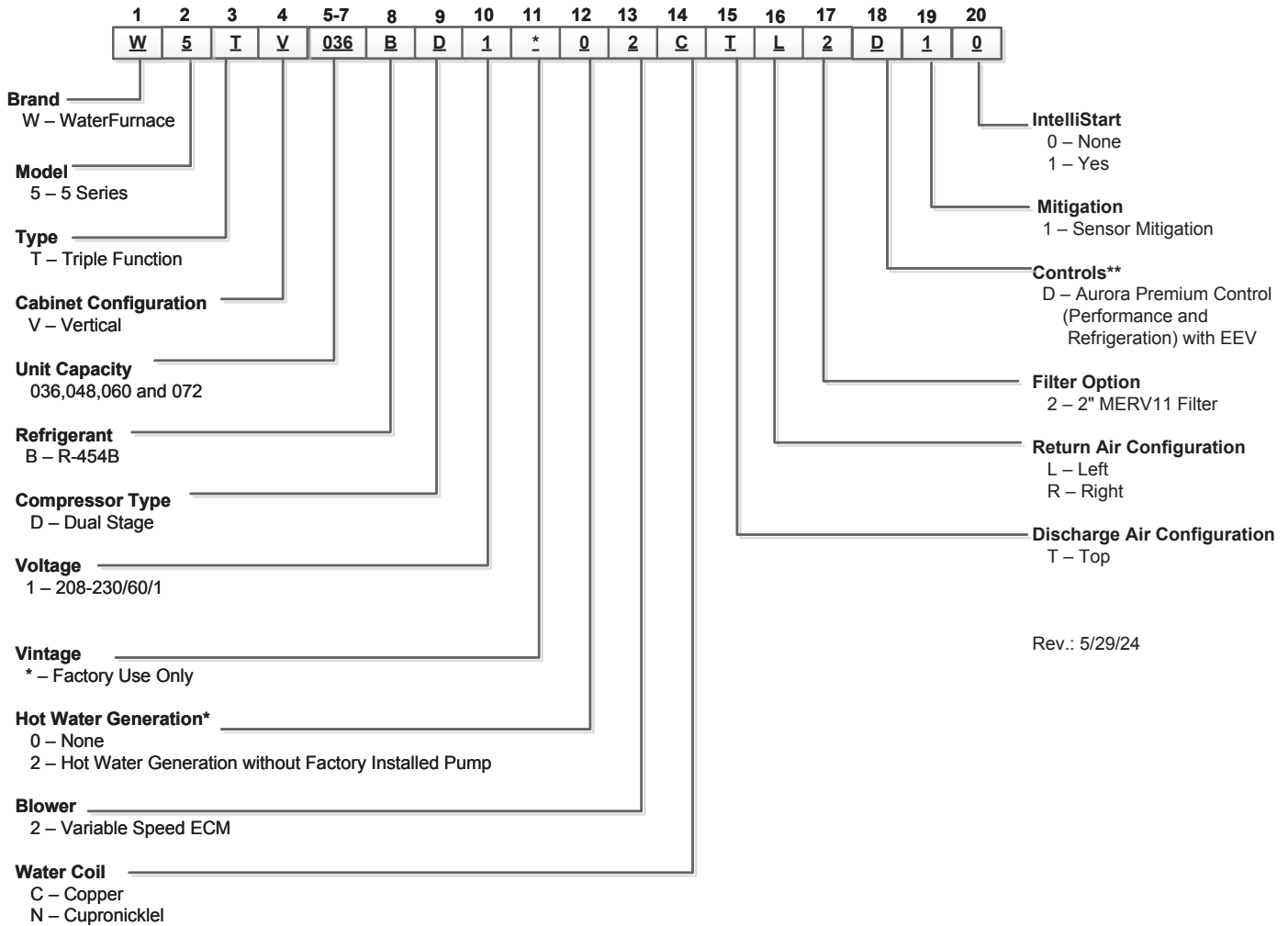


Si  $H_0$  est inférieur à 0,6 m (23,6 po), utilisez la valeur du tableau 0,6 m (23,6 po).

Si  $H_0$  se situe entre ces valeurs, utilisez le tableau pour calculer  $S_{min}$ .

## Informations générales sur l'installation

### Nomenclature du modèle




Rev.: 5/29/24

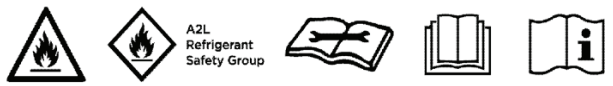
**Notes:**

\*The factory installed Hot Water option (hot water generator) does not include a factory mounted circulating pump. Kit DPK6 (ordered separately) includes field installed circulator, hot water tank adaptor, and installation instructions.

\*\*Load side flow meter shipped with unit, must be field installed

## Plaque signalétique - exemple

Unit Nomenclature and Serial Number	<b>MODEL:</b>	<b>S/N:</b> 999999999																																																
	<b>JOB #:</b>	Manufactured Fort Wayne, Indiana USA																																																
Unit Voltage	<table border="1"> <thead> <tr> <th colspan="5">Electrical Service</th> </tr> <tr> <th>VAC/PHASE</th> <th>Hz</th> <th>FLA</th> <th>MIN CIRCUIT AMPS</th> <th>MIN/MAX VAC</th> </tr> </thead> <tbody> <tr> <td> </td> <td> </td> <td> </td> <td> </td> <td> </td> </tr> </tbody> </table>					Electrical Service					VAC/PHASE	Hz	FLA	MIN CIRCUIT AMPS	MIN/MAX VAC																																			
Electrical Service																																																		
VAC/PHASE	Hz	FLA	MIN CIRCUIT AMPS	MIN/MAX VAC																																														
Fuse/Breaker Size	<table border="1"> <thead> <tr> <th colspan="2">Short-Circuit Current</th> <th colspan="3">Fuse Circuit Breaker Size</th> </tr> <tr> <th>kA Symmetrical</th> <th>0</th> <th>Max Fuse Time Delay</th> <th>US Max HACR</th> <th>Canada Max</th> </tr> </thead> <tbody> <tr> <td> </td> <td> </td> <td> </td> <td> </td> <td> </td> </tr> <tr> <td>V Maximum</td> <td>0</td> <td> </td> <td> </td> <td> </td> </tr> </tbody> </table>					Short-Circuit Current		Fuse Circuit Breaker Size			kA Symmetrical	0	Max Fuse Time Delay	US Max HACR	Canada Max						V Maximum	0																												
Short-Circuit Current		Fuse Circuit Breaker Size																																																
kA Symmetrical	0	Max Fuse Time Delay	US Max HACR	Canada Max																																														
V Maximum	0																																																	
Component Electrical Information	<table border="1"> <thead> <tr> <th>Component</th> <th>Qty</th> <th>LRA</th> <th>RLA/MRC</th> <th>FLA</th> <th>VAC</th> <th>PH</th> <th>HP</th> <th>KW</th> </tr> </thead> <tbody> <tr><td> </td><td> </td><td> </td><td> </td><td> </td><td> </td><td> </td><td> </td><td> </td></tr> <tr><td> </td><td> </td><td> </td><td> </td><td> </td><td> </td><td> </td><td> </td><td> </td></tr> <tr><td> </td><td> </td><td> </td><td> </td><td> </td><td> </td><td> </td><td> </td><td> </td></tr> <tr><td> </td><td> </td><td> </td><td> </td><td> </td><td> </td><td> </td><td> </td><td> </td></tr> </tbody> </table>					Component	Qty	LRA	RLA/MRC	FLA	VAC	PH	HP	KW																																				
Component	Qty	LRA	RLA/MRC	FLA	VAC	PH	HP	KW																																										
Unit Restrictions	<table border="1"> <thead> <tr> <th colspan="5">Other Data</th> </tr> </thead> <tbody> <tr> <td>Min. distance to combustible surface (in/cm)</td> <td colspan="4">/</td> </tr> <tr> <td>Max. outlet air temperature (F/C)</td> <td colspan="4">/</td> </tr> <tr> <td>Max. external static pressure (in water/Pa)</td> <td colspan="4">/</td> </tr> <tr> <td>Max. inlet water temperature (F/C)</td> <td colspan="4">/</td> </tr> <tr> <td>Max. inlet water pressure (in water/Pa)</td> <td colspan="4">/</td> </tr> </tbody> </table>					Other Data					Min. distance to combustible surface (in/cm)	/				Max. outlet air temperature (F/C)	/				Max. external static pressure (in water/Pa)	/				Max. inlet water temperature (F/C)	/				Max. inlet water pressure (in water/Pa)	/																		
Other Data																																																		
Min. distance to combustible surface (in/cm)	/																																																	
Max. outlet air temperature (F/C)	/																																																	
Max. external static pressure (in water/Pa)	/																																																	
Max. inlet water temperature (F/C)	/																																																	
Max. inlet water pressure (in water/Pa)	/																																																	
Auxiliary Heater Kit Electrical Installation	<table border="1"> <thead> <tr> <th>CK BOX</th> <th>Heater Model</th> <th>Supply Circuit</th> <th>KW</th> <th>Min CIR AMP</th> <th>Max Fuse</th> <th>Max BRKR</th> </tr> </thead> <tbody> <tr> <td> </td> <td> </td> <td> </td> <td> </td> <td> </td> <td> </td> <td> </td> </tr> </tbody> </table> <p>Mark heater installed with "X" in check box. For actual heater rating, see marking inside of unit.</p> <p>Cocher "X" pour indiquer le modele installe pour les caracteristiques nominales des unites de chauffe voir le marquage a l'interieur.</p>					CK BOX	Heater Model	Supply Circuit	KW	Min CIR AMP	Max Fuse	Max BRKR																																						
CK BOX	Heater Model	Supply Circuit	KW	Min CIR AMP	Max Fuse	Max BRKR																																												
Unit Comments	<table border="1"> <thead> <tr> <th colspan="5">Comments</th> </tr> </thead> <tbody> <tr><td> </td><td> </td><td> </td><td> </td><td> </td></tr> <tr><td> </td><td> </td><td> </td><td> </td><td> </td></tr> <tr><td> </td><td> </td><td> </td><td> </td><td> </td></tr> <tr><td> </td><td> </td><td> </td><td> </td><td> </td></tr> </tbody> </table>					Comments																																												
Comments																																																		
Installation Requirements	<p>Warning:</p> <p>Floor area for storage or operation must meet the minimum requirements shown.</p> <table border="1"> <tr> <td>Minimum room area (operating or storage)</td> <td>0 ft<sup>2</sup></td> <td>0 m<sup>2</sup></td> </tr> <tr> <td>Minimum installation height</td> <td>0 ft</td> <td>0 m</td> </tr> </table> <p>Note: For Minimum room areas at higher installation heights, see installation and operation manual.</p> <p>"For Installation Only in Locations Not Accessible to the General Public"</p>					Minimum room area (operating or storage)	0 ft <sup>2</sup>	0 m <sup>2</sup>	Minimum installation height	0 ft	0 m																																							
Minimum room area (operating or storage)	0 ft <sup>2</sup>	0 m <sup>2</sup>																																																
Minimum installation height	0 ft	0 m																																																
Refrigerant Type and Charge Amount	<table border="1"> <thead> <tr> <th>Refrigerant Type</th> <th>Refrigerant Charge/Circuit</th> <th>Design Pressure</th> </tr> </thead> <tbody> <tr> <td>R-454B</td> <td>OZ kg</td> <td>psi Mpa High: Low:</td> </tr> </tbody> </table>					Refrigerant Type	Refrigerant Charge/Circuit	Design Pressure	R-454B	OZ kg	psi Mpa High: Low:																																							
Refrigerant Type	Refrigerant Charge/Circuit	Design Pressure																																																
R-454B	OZ kg	psi Mpa High: Low:																																																



## Informations générales sur l'installation

### AVIS

#### Utilisation

Les unités ne sont pas conçues pour le chauffage de l'eau domestique (potable) par couplage direct. Pour ce type d'utilisation, un échangeur de chaleur complémentaire doit être utilisé.

#### Déplacement et stockage

Déplacez les unités dans l'orientation normale « vers le haut ». Les unités horizontales peuvent être déplacées et entreposées conformément aux renseignements figurant sur l'emballage. N'empilez pas plus de trois unités en hauteur totale. Les unités verticales peuvent être entreposées l'une sur l'autre jusqu'à une hauteur maximale de deux unités. Ne tentez pas de déplacer les unités lorsqu'elles sont empilées. Lors de la réception du matériel, tous les articles doivent être soigneusement vérifiés par rapport au connaissance afin de s'assurer que toutes les caisses et tous les cartons ont été reçus. Examinez les unités pour déceler les dommages causés par l'expédition et retirez-les de l'emballage au besoin. Les unités en question devraient également faire l'objet d'une inspection interne. Si des dommages sont constatés, le transporteur doit l'indiquer sur le bordereau de livraison.

#### Emplacement de l'unité

Placez l'appareil dans un endroit intérieur qui permet d'enlever facilement le filtre et les panneaux d'accès. L'emplacement doit avoir suffisamment d'espace pour que le personnel d'entretien puisse effectuer l'entretien ou les réparations. Prévoyez suffisamment d'espace pour faire des raccordements d'eau, d'électricité et de conduits. Si l'appareil est situé dans un espace confiné, comme un placard, des dispositions doivent être prises pour que le retour d'air pénètre librement dans l'espace au moyen d'une porte à volets, etc. Les vis de panneau d'accès qui seraient difficiles à enlever après l'installation de l'appareil doivent être enlevées avant de l'installer.

#### Conversion du porte-filtre

Un filtre MERV 11 de 50,8 mm (2 po) est expédié avec la thermopompe. Pour convertir le porte-filtre en utilisant des filtres de 25,4 mm (1 po), il suffit d'insérer les goupilles en plastique fournies dans les trous situés dans le porte-filtre. Il y a des trous au haut et au bas du support, sous les étiquettes d'instructions, pour la conversion en filtres de 25,4 mm (1 po).

#### Installation d'unités verticales

Avant de mettre l'appareil en place, retirez et jetez le boulon de fixation du compresseur situé à l'avant du support de fixation du compresseur.

Les unités verticales sont offertes avec une configuration de retour d'air à gauche ou à droite. Les unités verticales de refoulement d'air supérieures et arrière devraient être montées de niveau sur un coussin absorbant les vibrations légèrement plus grand que la base pour assurer l'isolation entre l'unité et le plancher. Il n'est pas nécessaire d'ancrer l'appareil au plancher (voir ci-dessous).

#### Montage de l'unité verticale



## Informations générales sur l'installation (suite)

### Système de conduits

Un collier de sortie d'air est fourni sur les appareils à débit vertical supérieur pour faciliter le raccordement des conduits, qui est expédié à l'intérieur de l'appareil. Un raccord flexible est recommandé pour les raccordements des conduits de refoulement et de reprise d'air sur les systèmes de conduits métalliques. Les conduits non isolés doivent être isolés au moyen d'un isolant de conduit d'au moins 25,4 mm (1 po). L'utilisation de l'appareil sur des conduits non isolés dans un espace non climatisé n'est pas recommandée, car le rendement de l'appareil sera compromis.

Si l'appareil est raccordé à des conduits existants, une vérification précédente aurait dû être réalisée pour s'assurer qu'il a la capacité de traiter l'air requis pour l'utilisation de l'appareil. Si les conduits sont trop petits, comme pour le remplacement des systèmes de chauffage seulement, des conduits plus grands devraient être installés. Tous les conduits existants devraient être vérifiés pour déceler les fuites et réparés au besoin.

Le système de conduits devrait être dimensionné de manière à gérer le débit d'air de façon silencieuse. Pour maximiser l'atténuation sonore du ventilateur de l'appareil, les plenums d'alimentation et de retour devraient être munis d'une doublure de conduit interne en fibre de verre ou avoir une construction de panneaux à conduits sur les premiers pieds. Si un bruit d'air ou un débit d'air excessif est un problème, la vitesse du ventilateur peut être modifiée. Consultez les sections

**REMARQUE :** Lorsque vous fixez des conduits ou des accessoires à l'armoire, assurez-vous que les fixations n'entrent pas en contact avec la bobine d'air.

Rendement du ventilateur et Vitesse du ventilateur.

### Tuyauterie d'eau

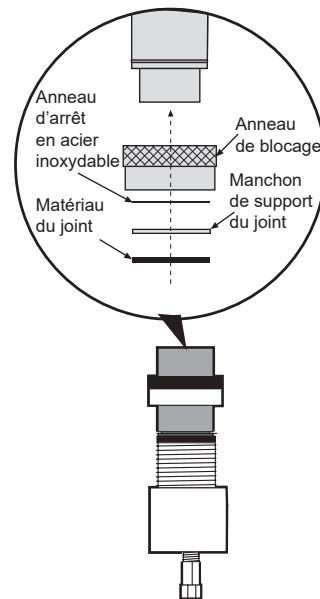
Le bon débit d'eau doit être fourni à chaque unité chaque fois que celle-ci fonctionne. Pour assurer un débit adéquat, utilisez des orifices de pression et de température pour déterminer le débit. Ces orifices devraient être situés aux raccordements d'alimentation et de retour d'eau de l'appareil. Le bon débit ne peut pas être réglé avec précision sans mesurer la chute de pression d'eau dans l'échangeur de chaleur de réfrigérant-eau.

Tous les raccords d'eau de source de l'unité acceptent un filetage mâle (MPT) de 25,4 mm (1 po) (voir l'illustration de l'anneau de blocage femelle). Le raccord de tuyau pivotant est doté d'un joint d'étanchéité en caoutchouc semblable à un joint d'étanchéité de tuyau d'arrosage qui, lorsqu'il est raccordé à l'extrémité d'un tuyau fileté de 25,4 mm (1 po), fournit un sceau d'étanchéité sans qu'il soit nécessaire d'utiliser un ruban d'étanchéité ou de la pâte d'étanchéité pour filetage. Assurez-vous que le joint en caoutchouc est dans le raccord pivotant avant de tenter une connexion. Les joints en caoutchouc sont expédiés fixés aux conduits d'eau.

Pour effectuer la connexion à un système de boucle de sol, attachez le connecteur en laiton (fourni dans les trousse de connecteur CK4LI et CK4L-GLI) contre le joint en caoutchouc du connecteur pivotant et vissez l'anneau de blocage femelle sur le tuyau fileté, tout en maintenant le connecteur en laiton dans la direction souhaitée (voir l'illustration de l'anneau de blocage femelle). Serrez les raccords à la main, puis serrez délicatement le raccord avec une pince pour obtenir un joint étanche. Lors de la connexion à un système à boucle ouverte (eau souterraine), enfitez un raccord MPT de 25,4 mm (1 po) (PVC Schedule 80 ou cuivre) dans le raccord pivotant et serrez de la même manière que ci-dessus. Le système de tuyauterie en boucle ouverte et fermée doit comprendre des robinets de pression et de température pour assurer l'entretien.

N'utilisez jamais de tuyaux flexibles de moins de 25,4 mm (1 po) de diamètre intérieur sur l'appareil et limitez la longueur du tuyau à 3,1 m (10 pi) par raccord. Vérifiez soigneusement s'il y a des fuites d'eau.

### Anneau de blocage femelle



**REMARQUE :** Les raccords côté charge sont du même type que la source.

### Drain de condensat

L'ensemble de drain de condensat interne se compose d'un tube d'évacuation relié au bac de récupération, d'un adaptateur femelle en PVC de 19,05 mm (3/4 po) et d'un tuyau flexible de raccordement. L'adaptateur femelle peut sortir de l'avant ou du côté de l'armoire verticale. L'adaptateur sera collé à la tuyauterie de condensat en PVC installée sur place. Un tuyau de condensat se trouve à l'intérieur de toutes les armoires comme une boucle de piégeage; par conséquent, un siphon externe n'est pas nécessaire.

## Qualité de l'eau

Matériel		Cuivre	90/10 Cupronickel	Acier inoxydable 316
pH	Acidité/Alcalinité	7 - 9	7 - 9	7 - 9
Entartrage	Calcium et carbonate de magnésium	(Dureté totale) inférieure à 350 ppm	(Dureté totale) inférieure à 350 ppm	(Dureté totale) inférieure à 350 ppm
Corrosion	Sulfure d'hydrogène	Moins de 0,5 ppm (une odeur d'œuf pourri se dégage à 0,5 ppm)	10 - 50 ppm	Moins de 1 ppm
	Sulfates	Moins de 125 ppm	Moins de 125 ppm	Moins de 200 ppm
	Chlore	Moins de 0,5 ppm	Moins de 0,5 ppm	Moins de 0,5 ppm
	Chlorures	Moins de 20 ppm	Moins de 125 ppm	Moins de 300 ppm
	Dioxyde de carbone	Moins de 50 ppm	10 - 50 ppm	10 - 50 ppm
	Ammoniac	Moins de 2 ppm	Moins de 2 ppm	Moins de 20 ppm
	Chlorure d'ammonium	Moins de 0,5 ppm	Moins de 0,5 ppm	Moins de 0,5 ppm
	Nitrate d'ammonium	Moins de 0,5 ppm	Moins de 0,5 ppm	Moins de 0,5 ppm
	Hydroxyde d'ammonium	Moins de 0,5 ppm	Moins de 0,5 ppm	Moins de 0,5 ppm
	Sulfate d'ammonium	Moins de 0,5 ppm	Moins de 0,5 ppm	Moins de 0,5 ppm
Encrassement par le fer (Croissance biologique)	Solides totaux dissous (TDS)	Moins de 1 000 ppm	1 000 - 1 500 ppm	1 000 - 1 500 ppm
	Indice LSI	+0,5 à -0,5	+0,5 à -0,5	+0,5 à -0,5
Encrassement par le fer (Croissance biologique)	Fer, $FE^{2+}$ (Ferreux) potentiel de fer bactérien	< 0,2 ppm	< 0,2 ppm	< 0,2 ppm
	Oxyde de fer	Moins de 1 ppm, au-delà de ce niveau, il y a dépôt	Moins de 1 ppm, au-delà de ce niveau, il y a dépôt	Moins de 1 ppm, au-delà de ce niveau, il y a dépôt
Érosion	Matières en suspension	Moins de 10 ppm et filtré pour une taille maximale de 600 microns	Moins de 10 ppm et filtré pour une taille maximale de 600 microns	Moins de 10 ppm et filtré pour une taille maximale de 600 microns
	Vitesse limite (Eau fraîche)	< 1,8 m/s (6 pi/s)	< 1,8 m/s (6 pi/s)	< 1,8 m/s (6 pi/s)

REMARQUES : Grains = ppm divisé par 17 mg/L équivaut à ppm

02/22/12

## Qualité de l'eau

Il incombe au concepteur du système et à l'entrepreneur chargé de l'installation de s'assurer que la qualité de l'eau est acceptable et que tous les codes applicables ont été respectés dans ces installations. Le non-respect des directives figurant dans le tableau de qualité de l'eau pourrait entraîner une perte de garantie. Dans les eaux souterraines où l'entartrage pourrait être important ou en cas de croissance biologique comme des bactéries ferreuses, un système en boucle fermée est recommandé. Les serpentins d'échangeur de chaleur des réseaux d'eau souterraine peuvent, sur une certaine période de temps, perdre leur capacité d'échange thermique en raison de l'accumulation de dépôts minéraux à l'intérieur. Ceux-ci peuvent être nettoyés, mais seulement par un mécanicien de service qualifié, car des solutions spéciales et de l'équipement de pompage sont requis. Les serpentins du générateur d'eau chaude peuvent également être entartrés et possiblement obstrués. Dans les endroits où l'eau est extrêmement dure, le propriétaire devrait être informé que l'échangeur de chaleur peut nécessiter un rinçage occasionnel.

Les thermopompes avec échangeurs de chaleur en cupronickel sont recommandées pour les applications en circuit ouvert en raison de la résistance accrue à l'accumulation et à la corrosion, ainsi que de la réduction de l'usure causée par le nettoyage à l'acide.

## Traitement de l'eau

N'utilisez pas d'eau non traitée ou incorrectement traitée. L'équipement pourrait être endommagé. L'utilisation d'eau incorrectement traitée ou non traitée dans cet équipement peut entraîner la formation d'écailage, d'érosion, de corrosion, d'algues ou de substances visqueuses. L'achat d'un antigel

pré-mélangé pourrait améliorer considérablement la fiabilité du système si la qualité de l'eau est contrôlée et qu'il y a des additifs dans le mélange pour prévenir la corrosion. Il existe de nombreux exemples de tels liquides sur le marché aujourd'hui, comme Environol™ 1000 (éthanol pré-mélangé), et d'autres. Les services d'un spécialiste qualifié en traitement de l'eau devraient être retenus pour déterminer le traitement requis, le cas échéant. La garantie du produit exclut expressément toute responsabilité en cas de corrosion, d'érosion ou de détérioration de l'équipement.

Les échangeurs de chaleur et les conduites d'eau des unités sont en cuivre ou en cupronickel. Il pourrait y avoir d'autres matériaux dans le système de tuyauterie du bâtiment que le concepteur devrait prendre en considération pour décider des paramètres de la qualité de l'eau. Si une solution antigel ou de traitement de l'eau est utilisée, le concepteur doit confirmer qu'elle n'a pas d'effet néfaste sur les matériaux du système.

## Eau contaminée

Dans les applications où la qualité de l'eau ne peut être maintenue aux limites prescrites, l'utilisation d'un échangeur de chaleur secondaire ou intermédiaire est recommandée pour séparer l'unité de l'eau contaminée. Le tableau ci-dessus présente les recommandations relatives à la qualité de l'eau pour les échangeurs de chaleur des unités. Si ces conditions sont dépassées, un échangeur de chaleur secondaire est requis. Le défaut de fournir un échangeur de chaleur secondaire au besoin entraînera une exclusion de la garantie en cas de corrosion ou de défaillance de l'échangeur de chaleur principal.

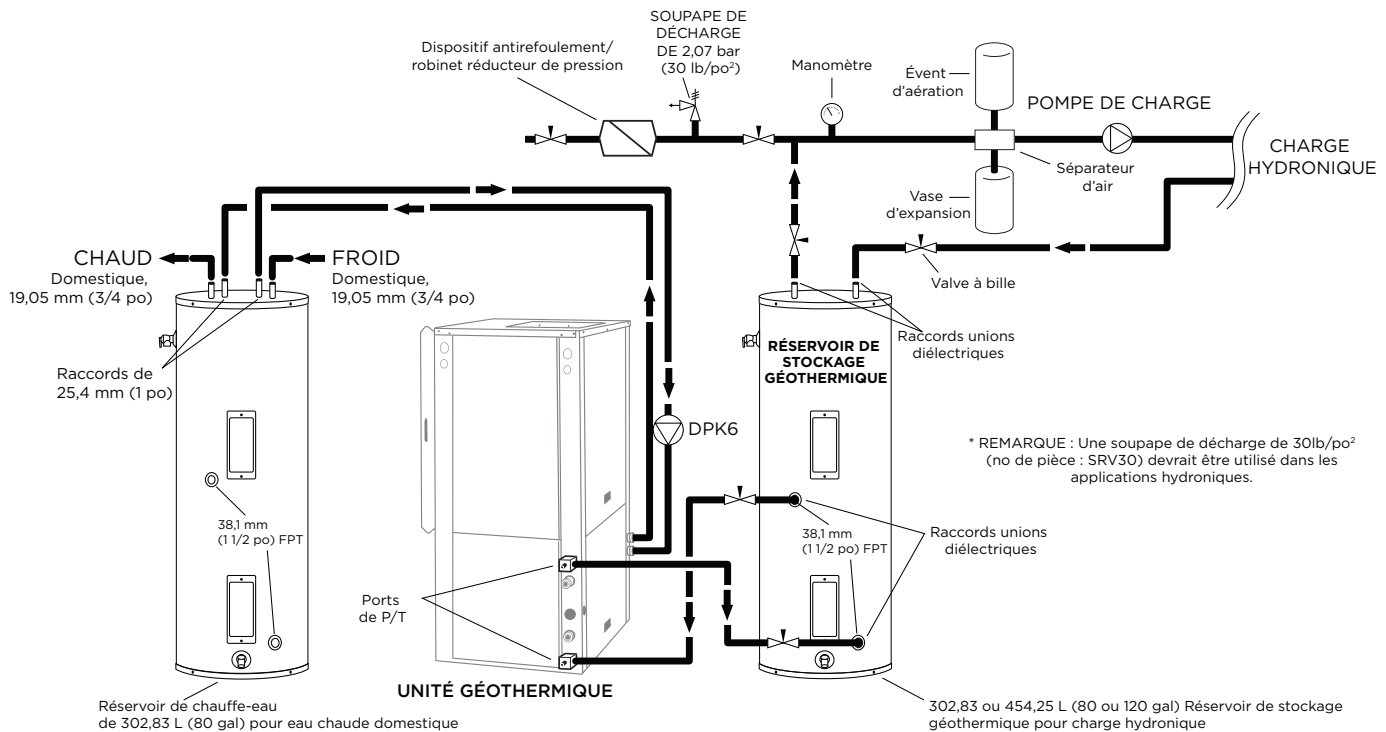
## Raccords du générateur d'eau chaude

Pour optimiser les avantages du générateur d'eau chaude, un chauffe-eau d'au moins 189,27 L (50 gal) est recommandé. Pour les applications à plus forte demande, utilisez un chauffe-eau de 302,83 L (80 gal) comme illustré ci-dessous ou deux chauffe-eau de 189,27 L (50 gal) raccordés en série. Les chauffe-eau électriques sont recommandés. Assurez-vous que tous les codes d'électricité et de plomberie locaux sont respectés pour l'installation d'un générateur d'eau chaude. L'unité n'est pas fournie avec un circulateur interne. Une trousse DPK5 devra être achetée pour se brancher au

générateur d'eau chaude. La trousse DPK5 est fourni avec des instructions d'installation, un circulateur, un adaptateur de réservoir et un rupteur thermique. Assurez-vous de faire roter la pompe. Ouvrez la vis en deux tours seulement à l'extrémité du moteur de la pompe (si des pompes Grundfos® sont utilisées) pour permettre l'évacuation de l'air emprisonné et s'assurer que le boîtier du moteur a été inondé. Un adoucisseur d'eau est recommandé avec de l'eau dure (supérieure à 10 grains ou une dureté totale de 170 ppm).

## Installation du réservoir tampon typique

### Unité avec réservoir de stockage hydronique et réservoir de chauffe-eau domestique



**REMARQUE : En raison de la fiabilité du compresseur, les applications directes à la charge ne sont pas recommandées. Un réservoir tampon doit être installé dans le système.**

### Recommandations relatives au réservoir de stockage hydronique

Modèle de l'unité	D.I. du tuyau en cuivre (mm [po])	Débits (L/min [gal/min])	Pieds maximum du tuyau dans un sens (m [pi])	Nombre total de coudes	Taille requise du réservoir de stockage	Réservoir de stockage exigé par le fabricant Numéro de pièce
036	31,75 (1,25)	34,1 (9)	9,1 (30)	10	302,83 L (80 gal É.-U.)	Stockage géothermique 80
048	31,75 (1,25)	45,4 (12)	9,1 (30)	10	302,83 L (80 gal É.-U.)	Stockage géothermique 80
060	31,75 (1,25)	56,8 (15)	9,1 (30)	10	454,25 L (120 gal É.-U.)	Stockage géothermique 120
072	31,75 (1,25)	38,1 (18)	9,1 (30)	10	454,25 L (120 gal É.-U.)	Stockage géothermique 120

## Section hydronique

Des directives générales sont présentées ci-dessous pour la sélection des composants et les critères de conception et d'installation du système de tuyauterie. Les codes locaux remplacent les recommandations du présent manuel.

**Robinet d'arrêt et vannes de régulation du débit :** Utilisez des robinets-vannes ou des robinets à tournant sphérique à passage intégral pour l'isolation des composants. Si des robinets sont utilisés fréquemment, il est recommandé d'utiliser des robinets à tournant sphérique. Les robinets à soupape sont conçus pour réguler le débit. Installez toujours les robinets à soupape dans le bon sens (le liquide devrait entrer par la chambre du corps inférieur).

**Clapets antiretour :** Les clapets antiretour à battant doivent être installés en position horizontale avec le capot du clapet à la verticale. Les clapets antiretour à ressort peuvent être montés dans n'importe quelle position. Un clapet antiretour de débit est requis pour empêcher le siphonnage thermique (ou débit par gravité) lorsque la pompe du circulateur est éteinte ou lorsqu'il y a deux circulateurs sur le même système.

**Réservoir (tampon) de stockage :** Un réservoir tampon est requis pour tous les systèmes de chauffage hydronique utilisant des thermopompes hydroniques. Le réservoir devrait être dimensionné de manière à fournir 7,6 L (2 gal) de capacité de stockage pour mille BTU/h de capacité nominale de la thermopompe.

**Soupape de décharge :** La plupart des codes exigent l'utilisation d'une soupape de décharge si une source de chaleur en boucle fermée peut être isolée par des soupapes. Même si le code local n'exige pas ce dispositif, l'installation est recommandée. Si la soupape de décharge du réservoir tampon n'a pas déjà une pression nominale maximale de 2,07 bar (30 lb/po<sup>2</sup>), il faut en installer une. La soupape de décharge devrait être mise à l'essai au démarrage pour vérifier son fonctionnement. Cette soupape peut également être utilisée lors du remplissage initial du système pour purger l'air. Notez que le tuyau d'évacuation doit avoir au moins le même diamètre que la sortie de la soupape (ne jamais réduire) et que des soupapes ne peuvent pas être ajoutées à ce tuyau. La partie inférieure du tuyau doit se terminer à au moins 15 cm (6 po) au-dessus du plancher. Si la tuyauterie est raccordée à un drain, il doit y avoir une coupure antirefoulement.

**Clapets antiretour d'antirefoulement :** La plupart des codes exigent des clapets antiretour d'antirefoulement. Il est à noter qu'un clapet antiretour simple n'est pas l'équivalent d'un clapet antiretour d'antirefoulement. Même si le code local n'exige pas ce dispositif, l'installation est recommandée. Cela est particulièrement important si le système utilise de l'antigel.

**Robinet réducteurs de pression ou robinets d'eau d'alimentation :** Ce robinet réduit la pression de la conduite d'eau de réalimentation vers le système. La plupart sont réglables et directionnels. Un robinet de « remplissage rapide » est requis pour le remplissage initial du

système. Certains sont munis de tamis, qui doivent être nettoyés après le remplissage initial. Si le tamis est doté d'une restriction, le système pourrait passer à 0 lb/po<sup>2</sup> (0 kPa), ce qui pourrait causer la défaillance des pompes. Un robinet devrait être installé de chaque côté du robinet réducteur de pression pour l'entretien. Les deux robinets devraient porter une étiquette indiquant « Ne pas fermer ce robinet en service normal - robinet de service seulement ».

**Vases d'expansion :** Des vases d'expansion sont requis sur les systèmes hydroniques pour aider à absorber les variations de pression à mesure que la température dans le système fluctue.

**Coudes et tés :** Les coudes à long rayon ou deux coudes à 45° réduiront la chute de pression. Les tés standard ont une plus grande restriction sur la partie en « T » que les tés conçus avec des orifices de sortie biseautés.

**Antigel :** De l'antigel est requis si une tuyauterie est située dans des zones sujettes au gel.

**Raccords unions diélectriques :** Les raccords unions diélectriques sont recommandés lorsque vous raccordez deux métaux différents à l'un et à l'autre pour prévenir la corrosion électrolytique.

Lorsque des différents types de réseaux de distribution de chaleur hydronique sont utilisés, les limites de température du système géothermique doivent être un facteur important. Dans une nouvelle construction, le réseau de distribution peut facilement être conçu en tenant compte des limites de température. Lors des rénovations, il faut prendre soin de respecter les limites de température de fonctionnement du réseau de distribution existant. La température maximale du réservoir de stockage de l'appareil est de 54,4 °C (130 °F). Typiquement dans les systèmes radiants de plancher exigent des températures beaucoup plus basses, généralement de 37,8 à 46,1 °C (100 à 115 °F), ce qui est idéal pour l'appareil.

L'appareil utilise un capteur de température externe comme le thermostat inférieur d'un réservoir de stockage de chauffe-eau pour contrôler la température du réservoir. Le thermostat doit être câblé aux fils rouges P17 du panneau de commande AXB2 de l'appareil. Lorsque la température du réservoir descend sous le réglage du thermostat, les contacts du thermostat se ferment et émettent un signal à l'appareil pour chauffer l'eau.

Un réservoir de stockage doit être utilisé pour stocker l'eau chauffée fournie par l'appareil. Il n'est pas recommandé d'envoyer l'eau chauffée par l'appareil directement aux zones hydroniques, car l'appareil peut également conditionner l'espace avec de l'air forcé. Le réservoir de stockage doit avoir une capacité de stockage adéquate pour supporter la charge hydronique pendant que l'appareil fonctionne en mode d'air forcé. Le réservoir de stockage hydronique devrait être dimensionné de manière à fournir 7,6 L (2 gal) de capacité de stockage pour mille BTU/h de capacité nominale de la thermopompe.

## Section hydronique (suite)

Un débit adéquat (L/min [gal/min]) est très important pour le rendement du système et la fiabilité à long terme. Respectez les directives sur le débit et la taille des tuyaux recommandés dans le tableau des recommandations.

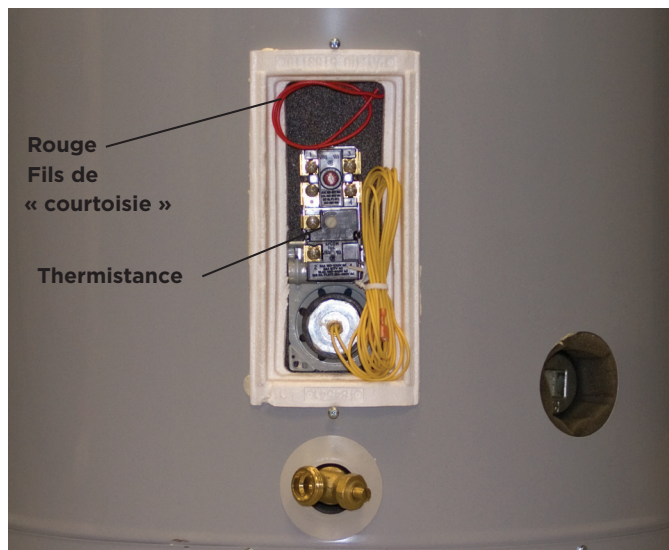
Un réservoir de stockage doit être utilisé pour stocker l'eau chauffée fournie par l'appareil. Il n'est pas recommandé d'envoyer l'eau chauffée par l'appareil directement aux zones hydroniques, car l'appareil peut également conditionner l'espace avec de l'air forcé. Le réservoir de stockage doit avoir une capacité de stockage adéquate pour supporter la charge hydronique pendant que l'appareil fonctionne en mode d'air forcé. Le réservoir de stockage hydronique devrait être dimensionné de manière à fournir 7,6 L (2 gal) de capacité de stockage pour mille BTU/h de capacité nominale de la thermopompe.

Un débit adéquat (L/min [gal/min]) est très important pour le rendement du système et la fiabilité à long terme. Respectez les directives sur le débit et la taille des tuyaux recommandés dans le tableau des recommandations.

Assurez-vous de faire roter la pompe. Ouvrez la vis en deux tours seulement à l'extrémité du moteur de la pompe (si des pompes Grundfos® sont utilisées) pour permettre l'évacuation de l'air emprisonné et s'assurer que le boîtier du moteur a été inondé.

Connectez les fils jaunes à l'intérieur du réservoir aux fils rouges de « courtoisie », comme le montre l'image. Les fils rouges de « courtoisie » sortent du haut du réservoir. Ces fils doivent être connectés aux fils ROUGES P17 du panneau de commande AXB2.

### Thermostat du réservoir de stockage géothermique



**Les fils jaunes doivent être connectés aux fils rouges de « courtoisie ».**

## Raccords électriques

### Généralités

Assurez-vous que l'alimentation disponible correspond au même voltage et à la même phase que celles indiquées sur la plaque de série de l'appareil. Le câblage de ligne et de la basse tension doit être effectué conformément aux codes locaux ou au Code national de l'électricité, selon ce qui est applicable.

### Connexion d'alimentation de l'unité

Branchez les câbles de tension d'entrée à L1 et L2 du contacteur comme montré à la Figure 13C pour l'unité monophasée. Consultez les données de la plaque signalétique de l'appareil pour connaître la taille des fusibles.

**REMARQUE :** Un débranchement doit être intégré au câblage fixe conformément aux règles de câblage/NEC.

Ouvrez le panneau d'accès inférieur avant. Retirez la fixation de sol du bas du boîtier de commande (Figure 13B). Ouvrez le boîtier de commande (Figure 13A). Insérez les câbles d'alimentation dans les alvéoles défonçables du côté inférieur gauche de l'armoire. Acheminez les fils par le côté gauche du boîtier de commande et connectez-les au contacteur et à la mise en terre (Figure 13C). Fermez la boîte de commande et remplacez la fixation de mise à la terre avant le démarrage de l'appareil.

### Relais d'accessoires

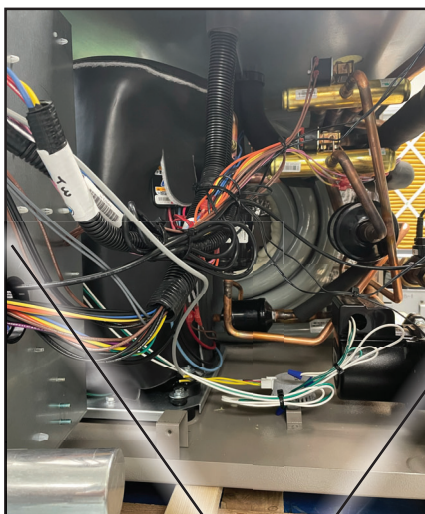
Un ensemble de contacts « secs » a été fourni pour commander les dispositifs accessoires, comme les électrovannes d'eau sur les installations à boucle ouverte, les épurateurs d'air électroniques, les humidificateurs, etc. Ce contact de relais ne doit être utilisé qu'avec des signaux de 24 V et non avec une tension de ligne. Le relais a des contacts normalement ouverts et normalement fermés et peut fonctionner avec le ventilateur ou le compresseur. Utilisez les commutateurs DIP SW2-4 et 5 pour effectuer un cycle du du relais avec le ventilateur et le compresseur ou pour contrôler une vanne d'eau à ouverture lente. Les contacts de relais sont disponibles sur les bornes 1 et 3 pour une fermeture normale, et sur les bornes 2 et 3 pour une ouverture normale sur P2.

Un deuxième relais d'accessoires configurable est fourni sur la carte AXB, s'il est installé. Lors de l'alimentation de composants à forte consommation de VA tels que les purificateurs d'air électroniques ou les vannes d'eau à circuit ouvert de type V, R doit être pris en « pré-fusible » à partir du raccord rapide « R » sur la carte ABC et non à partir de la borne « R » en « post-fusible » sur la connexion du thermostat. Si ce n'est pas le cas, des fusibles ABC risquent de sauter.

### Fonctionnement de 208 V

Toutes les unités 208/230 sont câblées en usine pour un fonctionnement à 230 V. Pour un fonctionnement de 208 V, les fils de transformateur rouge et bleu doivent être branchés sur la barrette de connexion PB2.

**Figure 13A :**  
Accès aux fils  
(boîtier de commande ouvert)



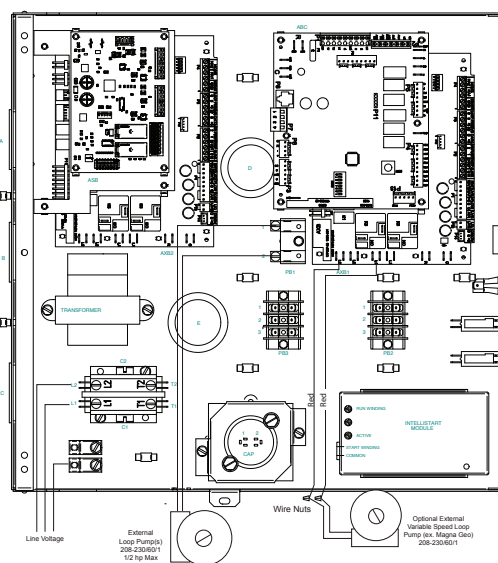
Emplacement de l'insert de fil

**Figure 13B :**  
Accès aux fils  
(boîtier de commande fermé)



La fixation de mise en terre doit être installée pour assurer la mise en terre adéquate de l'unité.

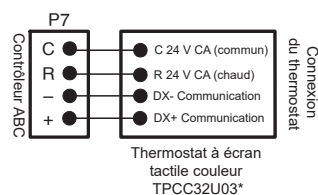
**Figure 13C :**  
Boîtier de commande pour tension de 208-230/60/1



## Installation du thermostat électronique

Placez la sous-base du thermostat contre le mur de façon à ce qu'elle soit de niveau et que les fils du thermostat dépassent au milieu de la sous-base. Marquez la position des trous de montage de la sous-base et percez les trous avec une mèche de 4,8 mm (3/16 po). Installez les ancrages fournis et fixer la base au mur. Le fil du thermostat doit être à 4 ou 5 conducteurs pour les thermostats communicants et de calibre 20 AWG (minimum). Un câble de communication blindé est recommandé. Dénudez les fils de 6,35 mm (1/4 po) (des bandes plus longues peuvent causer des courts-circuits) et insérez les fils du thermostat dans le connecteur P7 comme montré. Serrez les vis pour assurer une connexion sécurisée. Le thermostat peut être équipé de connecteurs à vis ou à ressort, ce qui exige le même câblage. **Référez-vous aux instructions jointes au thermostat pour obtenir des renseignements détaillés sur l'installation et le fonctionnement.**

Figure 22 : Câblage du thermostat (signaux de communication)



## Câblage de la pompe

*Voir le manuel d'installation de la pompe*

## Données sur le rendement du ventilateur

### Réglage de la vitesse du ventilateur – ECM à vitesse variable

La DEL jaune du tableau de configuration ABC clignotera les sélections actuelles de vitesse ECM du ventilateur pour « G », basse et haute en continu avec une courte pause entre les deux. Les vitesses peuvent également être confirmées à l'aide de l'outil AIDE dans l'écran Paramètres/Paramètres ECM. La programmation Aux ne clignotera pas, mais peut être consultée dans l'outil AIDE. Les vitesses ECM du ventilateur du moteur peuvent être réglées sur place avec ou sans l'aide d'un outil AIDE.

### Configuration du moteur ECM sans l'outil d'AIDE

Les vitesses du ventilateur « G », faible (Y1), élevée (Y2) et auxiliaire peuvent être réglées directement sur le panneau Aurora ABC qui utilise le bouton (SW1) sur le panneau ABC. Cette procédure est décrite dans la section Mode de configuration du module de commande du moteur ECM de la section Système de commande de base d'Aurora. L'auxiliaire ne peut pas être réglé manuellement sans l'outil AIDE.

### Configuration du module de commande de moteur ECM avec un outil AIDE

Une méthode beaucoup plus simple utilise l'outil AIDE pour modifier le débit d'air en suivant la procédure ci-dessous. Accédez d'abord à l'écran Paramètre, puis sélectionnez Paramètres ECM. Cet écran affiche les réglages ECM actuels. Cela permet au technicien d'accéder aux écrans de configuration pour modifier les paramètres du moteur ECM. Modifiez l'élément mis en surbrillance à l'aide des boutons ◀ et ▶, puis appuyez sur le bouton ■ pour sélectionner l'élément.

Information sur la vitesse du moteur ECM	
Vitesse du ventilateur seulement	3
Compresseur basse pression	6
Compresseur de mode élevé	9
Chaleur auxiliaire	10
Vous voulez changer?	
Oui	Non
Option ◀▶	Entrée ■

Si vous sélectionnez OUI, la configuration de la vitesse du moteur ECM s'ouvrira, tandis que si vous sélectionnez NON, vous reviendrez à l'écran précédent.

**Réglage de la vitesse du moteur ECM** – Ces écrans permettent au

Information sur la vitesse du moteur ECM	Information sur la vitesse du moteur ECM	Information sur la vitesse du moteur ECM	Information sur la vitesse du moteur ECM
1 ▶ 2 ◀G	1 2 G ▶ 3 ◀Bas	1 2 G 3 Bas ▶ 6 ◀Élevé	1 2 G 3 Bas 6 Élevé ▶ 10 ◀Aux
3 4 5 6 7 8 9 10 11 12	4 5 6 7 8 9 10 11 12	4 5 6 7 8 9 10 11 12	4 5 6 7 8 9 10 11 12
Option ◀▶ Entrée ■	Option ◀▶ Entrée ■	Option ◀▶ Entrée ■	Option ◀▶ Entrée ■

technicien de sélectionner la vitesse « G », basse, élevée et auxiliaire du ventilateur d'air chaud du moteur ECM. Changer l'élément mis en surbrillance en utilisant les boutons ▲ et ▼. Appuyez sur le bouton ■ pour sélectionner la vitesse.

Une fois le réglage de la vitesse de chauffage auxiliaire sélectionné, l'outil AIDE retourne automatiquement à l'écran de configuration du moteur ECM.

**Configuration du débit d'air** - Ces écrans permettent au technicien de sélectionner -15 %, -10 %, -5 %, aucun ou +5 %. Changer le pourcentage de réglage en utilisant les boutons ▲ et ▼. Appuyez sur le bouton ■ pour enregistrer la modification.

Configuration du débit d'air refroidissant	Configuration du débit d'air refroidissant
--- ECM seulement --- Le débit d'air sera ajusté en fonction de la quantité choisie en mode refroidissement.	--- ECM seulement --- Le débit d'air sera ajusté en fonction de la quantité choisie en mode refroidissement.
Ajustement : -15 %	Ajustement : -15 %
Vous voulez changer?	
Oui Non	
Option ◀▶ Entrée ■	Changement ▼▲ Entrée ■

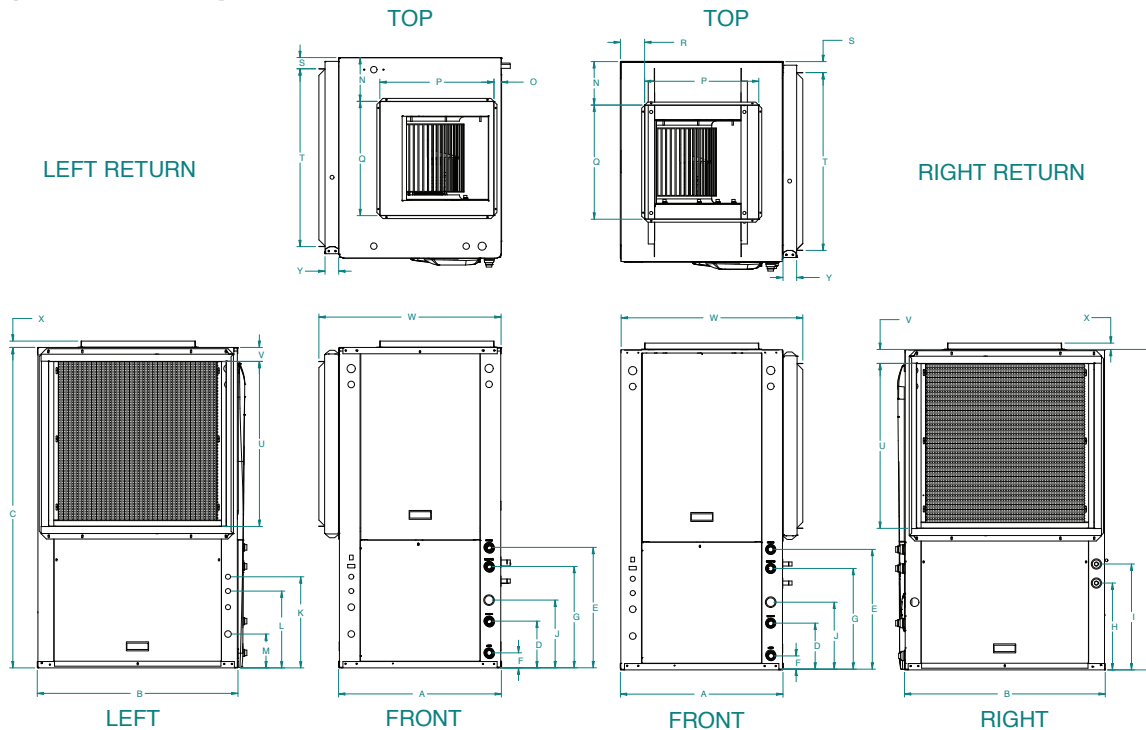
MODÈLE	PRESSION STATIQUE EXTERNE MAXIMUM	RÉGLAGES DU DÉBIT D'AIR											
		1	2	3	4	5	6	7	8	9	10	11	12
036	0,50	650	750	850	1 000	1 100 L	1 200	1 300 H	1 400	1 500	1 550 Aux		
048	0,50	650	800	900	1 050	1 150	1 250	1 350 L	1 450	1 550 H	1 575 Aux		
060	0,75	800	950	1 100	1 300	1 500 L	1 750	1 950 H	2 100	2 300	2 325 Aux		
072	0,75	800	950	1 100	1 300	1 500	1 750	1 950 H	2 100	2 300	2 325 Aux		

29/08/23

Les réglages d'usine sont conformes aux réglages de vitesse recommandés par le G-L-H-Aux.  
 Les réglages L-H DOIVENT être situés dans la plage de PCM en caractères gras.  
 Le réglage « aux » correspond au réglage en usine pour la chaleur auxiliaire et doit être égal ou supérieur au réglage « H », ainsi qu'au moins le réglage minimal requis pour le boîtier de chauffage auxiliaire.  
 Le « G » peut se trouver n'importe où dans le tableau de débit d'air.  
 Le PCM est contrôlé à ± 5 % jusqu'à la pression statique maximale.  
 La pression statique (ESP) maximale comprend une tolérance pour serpentin humide et un filtre standard.

## Données dimensionnelles verticales

### Décharge à débit supérieur



Modèle vertical à débit supérieur	Ensemble de l'armoire			Raccords d'eau										Raccords électriques		
	A	B	C	D	E	F	G	H	I	J	Boucle Eau FPT	Hydronique Eau FPT	HWG (D. E.)	K	L	M
	Largeur	Profondeur	Hauteur	Entrée en boucle	Sortie hydronique	Entrée hydronique	Sortie en boucle	Entrée HWG	Sortie HWG	Condensat				Condensateur de 12,7 mm (1/2 po)	Condensateur de 12,7 mm (1/2 po)	Condensateur de 19,05 mm (3/4 po)
036	po	25,6	31,6	50,4	7,3	18,9	2,3	15,9	13,6	16,6	Pivotant de 25,44 mm (1 po)	Pivotant de 25,44 mm (1 po)	Embout de 12,7 mm (1/2 po)	14,4	12,1	5,3
	cm	65,0	80,3	128,0	18,5	48,0	5,8	40,4	34,5	42,2				26,9	36,6	30,7
048	po	25,6	31,6	54,4	7,3	18,9	2,3	15,9	15,9	18,9	Pivotant de 25,44 mm (1 po)	Pivotant de 25,44 mm (1 po)	Embout de 12,7 mm (1/2 po)	14,4	12,1	5,3
	cm	65,0	80,3	138,2	18,5	48,0	5,8	40,4	40,4	48,0				26,9	36,6	30,7
060	po	25,6	31,6	58,4	7,3	18,9	2,3	15,9	15,9	18,9	Pivotant de 25,44 mm (1 po)	Pivotant de 25,44 mm (1 po)	Embout de 12,7 mm (1/2 po)	14,4	12,1	5,3
	cm	65,0	80,3	148,3	18,5	48,0	5,8	40,4	40,4	48,0				26,9	36,6	30,7
072	po	25,6	31,6	58,4	7,3	18,9	2,3	15,9	15,9	18,9	Pivotant de 25,44 mm (1 po)	Pivotant de 25,44 mm (1 po)	Embout de 12,7 mm (1/2 po)	14,4	12,1	5,3
	cm	65,0	80,3	148,3	18,5	48,0	5,8	40,4	40,4	48,0				26,9	36,6	30,7

Modèle vertical à débit supérieur	Raccord de décharge bride de conduit installée (±2,54 mm [0,10 po])					Raccord de retour en utilisant un support de filtre standard de luxe (±2,54 mm [0,10 po])						Divers	
	N	O	P	Q	R	S	T	U	V	W	X	Y	
036	po	6,9	1,1	18,0	18,0	3,8	1,7	28,1	26,0	1,7	28,7	1,0	2,1
	cm	17,5	2,8	45,7	45,7	9,7	4,3	71,4	66,0	4,3	72,9	2,5	5,3
048	po	6,9	1,1	18,0	18,0	3,8	1,7	28,1	30,0	1,7	28,7	1,0	2,1
	cm	17,5	2,8	45,7	45,7	9,7	4,3	71,4	76,2	4,3	72,9	2,5	5,3
060	po	6,9	1,1	18,0	18,0	3,8	1,7	28,1	34,0	1,7	28,7	1,0	2,1
	cm	17,5	2,8	45,7	45,7	9,7	4,3	71,4	86,4	4,3	72,9	2,5	5,3
072	po	6,9	1,1	18,0	18,0	3,8	1,7	28,1	34,0	1,7	28,7	1,0	2,1
	cm	17,5	2,8	45,7	45,7	9,7	4,3	71,4	86,4	4,3	72,9	2,5	5,3

Le condensat est un raccord femelle à coller en PVC de 19,05 mm (3/4 po) et est commutable du côté vers l'avant.  
 L'appareil est livré avec un collier de conduit/porte-filtre de luxe de 50,8 mm (2 po) (ajustable à 25,4 mm [1 po]) s'étendant de l'appareil de 82,55 mm (3,25 po) et convient pour le raccordement des conduits.  
 La bride de refoulement est installée sur place et se prolonge de 25,4 mm (1 po) de l'armoire.  
 Les moulures décoratives et les raccords d'eau se prolongent de 30,5 mm (1,2 po) au-delà de l'avant de l'armoire.

14/11/23

## Données physiques

Modèle	036	048	060	072
Compresseur (1 chacun) Charge d'usine R-454B, kg (oz)	<b>Copeland Scroll</b>			
	1,75 (62)	2,15 (76)	2,77 (98)	2,77 (98)
<b>Moteur du ventilateur ECM et ventilateur</b>				
Type/vitesses du moteur du ventilateur	<b>Vitesse variable ECM</b>			
Moteur du ventilateur - W (ch)	373 (1/2)	373 (1/2)	746 (1)	746 (1)
Dimensions de la roue du ventilateur (diamètre x W), mm (po)	279 x 254 (11 x 10)	279 x 254 (11 x 10)	279 x 254 (11 x 10)	279 x 254 (11 x 10)
<b>Tuyauterie coaxiale et d'eau</b>				
Dimensions des raccords d'eau de boucle - pivotants - mm (po)	25,4 (1)	25,4 (1)	25,4 (1)	25,4 (1)
Dimensions des raccords d'eau hydroniques - pivotants - mm (po)	25,4 (1)	25,4 (1)	25,4 (1)	25,4 (1)
Taille de connexion HWG - embout - mm (po)	12,7 (1/2)	12,7 (1/2)	12,7 (1/2)	12,7 (1/2)
Volume d'eau de la tuyauterie coaxiale et de la tuyauterie - l (gal)	4,9 (1,3)	6,1 (1,6)	6,1 (1,6)	6,1 (1,6)
<b>Verticale</b>				
Dimension de la bobine d'air (H x W), mm (po)	711 x 635 (28 x 25)	813 x 635 (32 x 25)	914 x 635 (36 x 25)	914 x 635 (36 x 25)
Surface totale de la face de la bobine d'air, m <sup>2</sup> (pi <sup>2</sup> )	0,451 (4,9)	0,570 (5,6)	0,641 (6,3)	0,641 (6,3)
Taille du tube de la bobine d'air, mm (po)	9,5 (3/8)	9,5 (3/8)	9,5 (3/8)	9,5 (3/8)
Nombre de rangées de la bobine d'air	3	3	4	4
Filtre standard - 51 mm (2 po), plissé MERV11 jetable, mm (po)	712 x 762 (28 x 30)	813 x 762 (32 x 30)	914 x 762 (36 x 30)	914 x 762 (36 x 30)
Poids - fonctionnement, kg (lb)	425	530	540	540
Poids - emballé, kg (lb)	445	550	560	560

02/11/23

## Calculs de référence

Calculs de chauffage :	Calculs de refroidissement :
$LWT = EWT - \frac{HE}{gmp \times 500}$	$LWT = EWT + \frac{HR}{gmp \times 500}$
$LAT = EAT + \frac{HC}{pi^3/min \times 1,08}$	$LAT (DB) = EAT (DB) - \frac{SC}{pi^3/min \times 1,08}$
$TH = HC + HW$	$LC = TC - SC$
	$S/T = \frac{SC}{TC}$

## Limites de fonctionnement

Limites de fonctionnement	Refroidissement		Chauffage	
	°F	°C	°F	°C
<b>Limites d'air</b>				
Air ambiant minimal	45	7,2	45	7,2
Air ambiant prévu	80	26,7	70	21,1
Max. Air ambiant	100	37,8	85	29,4
Entrée d'air minimale	50	10,0	40	4,4
Débit d'air entrant db/wb	80,6/66,2	27/19	68	20,0
Entrée d'air maximale	110/83	43/28,3	80	26,7
<b>Limites d'eau</b>				
Entrée d'eau minimale	30	1,1	20	6,7
Entrée d'eau normale	50-110	10-43,3	30-70	1,1
Entrée d'eau maximale	120	48,9	90	32,2

**REMARQUES :** Les limites minimales et maximales ne s'appliquent qu'aux conditions de démarrage et visent à ramener l'espace à la température d'occupation. Les unités ne sont pas conçues pour fonctionner dans les conditions minimales/maximales de façon régulière. Les limites d'exploitation dépendent de trois facteurs principaux : 1) la température de l'eau, 2) la température du retour d'air et 3) la température ambiante. Lorsque l'un ou l'autre des facteurs se situe au niveau minimal ou maximal, les deux autres facteurs doivent être au niveau normal pour assurer un fonctionnement adéquat et fiable de l'appareil.

## Retrait et évacuation du réfrigérant

Lorsque vous ouvrez le circuit frigorifique pour effectuer des réparations, ou pour toute autre fin, vous devez suivre les procédures conventionnelles. Cependant, pour les réfrigérants inflammables, vous devez suivre les meilleures pratiques parce que l'inflammabilité doit être prise en considération. La procédure suivante doit être respectée :

- retirez le réfrigérant en toute sécurité conformément aux réglementations locales et nationales;
- évacuez;
- purgez le circuit avec un gaz inerte (facultatif pour A2L);
- évacuez (facultatif pour A2L) ;
- rincez ou purgez continuellement avec un gaz inerte lors de l'utilisation d'une flamme pour ouvrir le circuit;
- ouvrez le circuit.

La charge de réfrigérant doit être récupérée dans les bouteilles de récupération appropriées si la ventilation n'est pas autorisée par les codes locaux et nationaux. Pour les appareils contenant des réfrigérants inflammables, le système doit être purgé avec de l'azote exempt d'oxygène afin de rendre l'appareil sûr pour les réfrigérants inflammables.

Ce processus devra peut-être être répété plusieurs fois. L'air comprimé et l'oxygène ne doivent pas être utilisés pour purger les systèmes frigorifiques. Pour les appareils contenant des réfrigérants inflammables, la purge des réfrigérants doit être réalisée en rompant le vide dans le système avec de l'azote exempt d'oxygène et en continuant à le remplir jusqu'à ce que la pression de service soit atteinte, puis en dépressurant jusqu'à la pression atmosphérique, et enfin en créant un vide (facultatif pour A2L). Ce processus doit être répété jusqu'à ce qu'il n'y ait plus de réfrigérant dans le système (facultatif pour A2L). Lorsque la charge finale d'azote exempt d'oxygène est utilisée, le système doit être dépressurisé jusqu'à la pression atmosphérique pour permettre le travail. L'orifice de sortie de la pompe à vide ne doit pas se trouver à proximité de sources potentielles d'inflammation et une ventilation doit être disponible.

## Procédures de chargement

En plus des procédures de chargement conventionnelles, les exigences suivantes doivent être respectées :

- Assurez-vous que les différents réfrigérants ne sont pas contaminés lors de l'utilisation de l'équipement de chargement.
- Les flexibles ou conduites doivent être aussi courts que possible pour réduire au minimum la quantité de réfrigérant qu'ils contiennent.
- Les bouteilles doivent être maintenues dans une position appropriée conformément aux instructions.
- Assurez-vous que le SYSTÈME FRIGORIFIQUE est mis à la terre avant de charger le système de réfrigérant.
- Étiquetez le système lorsque le chargement est terminé (si ce n'est pas déjà fait).
- Il convient de veiller très attentivement à ne pas trop remplir le SYSTÈME FRIGORIFIQUE.

Avant de recharger le système, il doit être soumis à un essai de pression avec le gaz de purge approprié. Le système doit être soumis à un essai d'étanchéité à la fin du chargement avant la mise en service. Un essai d'étanchéité de suivi doit être effectué avant de quitter le site.

## Récupération du réfrigérant

Lors du retrait du réfrigérant d'un système, que ce soit pour l'entretien ou la mise hors service, il est recommandé de retirer tous les réfrigérants en toute sécurité.

Lors du transfert du réfrigérant dans des bouteilles, assurez-vous que seules des bouteilles appropriées de récupération de réfrigérant sont utilisées. Assurez-vous que le bon nombre de bouteilles pour contenir la charge totale du circuit est disponible. Toutes les bouteilles qui seront utilisées doivent être réservées au réfrigérant récupéré et étiquetées pour ce réfrigérant (c.-à-d. des bouteilles spéciales pour la récupération du réfrigérant). Les bouteilles doivent être équipées d'une soupape de surpression et de valves d'arrêt en bon état de fonctionnement. Les bouteilles de récupération vides sont évacuées et, si possible, refroidies avant la récupération.

Le matériel de récupération doit être en bon état de fonctionnement et inclure des instructions concernant le matériel disponible et doit convenir à la récupération du réfrigérant inflammable. En cas de doute, consultez le fabricant. De plus, un jeu de balances étalonnées doit être disponible et en bon état de fonctionnement. Les flexibles doivent être équipés de raccords rapides étanches et en bon état.

Le réfrigérant récupéré doit être traité conformément à la réglementation locale dans la bouteille de récupération appropriée, et le bordereau de transfert des déchets correspondant doit être rempli. Ne mélangez pas les réfrigérants dans les unités de récupération et surtout pas dans les bouteilles.

Si des compresseurs ou des huiles de compresseur doivent être retirés, assurez-vous qu'ils ont été purgés à un niveau acceptable pour s'assurer qu'il ne reste pas de réfrigérant inflammable dans le lubrifiant. Le corps du compresseur ne doit pas être chauffé par une flamme nue ou par d'autres sources d'inflammation pour accélérer ce processus. Lorsque l'huile d'un système est vidangée, la procédure doit être réalisée en toute sécurité.

## Démarrage de l'unité



Il est fortement recommandé que l'entrepreneur chargé de l'installation et de l'entretien obtienne un outil d'interface et de diagnostic Aurora (AID) et une formation spécialisée avant de tenter d'installer ou d'entretenir un système de commande « avancé » Aurora.

### Avant d'alimenter l'appareil, vérifiez ce qui suit :

**REMARQUE :** Enlevez et jetez le boulon d'expédition de fixation de compresseur situé à l'avant du support de fixation du compresseur.

- Les fils noir/blanc et gris/blanc du boîtier de commande de l'unité ont été enlevés si le chauffage auxiliaire a été installé.
- Les interrupteurs DIP sont réglés correctement.
- Transformateur changé à 208 V, s'il y a lieu.
- La haute tension est correcte et correspond à la plaque d'identification.
- Les fusibles, les disjoncteurs et le calibre des fils sont appropriés.
- Le câblage basse tension est terminé.
- La tuyauterie est terminée et le système d'eau est nettoyé et rincé.
- L'air est purgé du système en boucle fermée.
- Les valves d'isolation sont ouvertes et les valves de régulation d'eau ou les pompes du circuit sont câblées.
- La ligne de condensat est ouverte et inclinée correctement.
- L'interrupteur de la pompe du générateur d'eau chaude est « OFF » à moins que la tuyauterie ne soit terminée et que l'air ait été purgé.
- Le ventilateur tourne librement.
- La vitesse du ventilateur est correcte.
- Le filtre/purificateur d'air est propre et en place.
- Les panneaux d'accès et d'entretien sont en place.
- La température du retour d'air se situe entre 10 et 27 °C (50 et 80 °F) de chauffage et 15,6 et 35 °C (60 et 95 °F) de refroidissement.
- Vérifiez la propreté de la bobine d'air pour assurer un rendement optimal. Nettoyez au besoin selon les directives d'entretien. Pour obtenir un rendement maximal, la bobine d'air doit être nettoyée avant le démarrage. Une solution à 10 % de détergent pour lave-vaisselle et d'eau est recommandée pour les deux côtés de la bobine; un rinçage à l'eau complet devrait suivre.

## Mise sous tension des commandes

### Configuration initiale de l'unité

Avant d'utiliser l'appareil, mettez l'appareil sous tension et exécutez la procédure de démarrage Aurora suivante pour la configuration des commandes. Un outil AIDE est recommandé pour l'installation, la configuration et le dépannage, en particulier avec une commande Aurora « avancée ». La version 2.04 ou plus récente de l'outil AIDE est préférable.

#### 1. Configurer l'écran Aurora

- a. Pour les commandes avancées, confirmez que les commandes AXB1, AXB2 et ASB sont ajoutées et communiquent.
- b. Pour les commandes avancées, confirmez que des thermostats communicants sont ajoutés et qu'ils communiquent. Réglez le mode du thermostat sur OFF (désactivé).

#### 2. Écran de configuration Aurora

- a. Configuration du module de commande du moteur pour le chauffage du débit d'air – sélectionnez les vitesses de soufflante G, basse, élevée et auxiliaire selon l'unité et la chaleur électrique.
- b. % du débit d'air de refroidissement – Définit le % du débit d'air de refroidissement du débit d'air de chauffage. Le réglage d'usine est -15 %.
- c. Configuration AXB
  - i. DHW activé – Assurez-vous que l'air est purgé du système HW avant d'activer (n'oubliez pas le commutateur HW sur l'armoire avant).

- ii. Point de consigne DHW – 54,4 °C (130 °F) est la valeur par défaut, mais peut être modifiée de 37,8 et 60 °C (100 et 140 °F).
- iii. Configuration de la pompe FCV1-GL ou FCV2-GL et réglage de la valve d'eau modulante – Réglage possible dans une plage de 5 à 100 %. Les valeurs par défaut sont 75 % et 100.
  - À partir du menu principal de l'outil AIDE, allez aux paramètres AXB1 et sélectionnez « Oui » au bas de l'écran pour apporter des modifications
  - Réglez la commande de pompe VS à MIN.
  - La ou les pompes ou le robinet d'eau devraient commencer à fonctionner et le débit est visible sur cet écran; il peut s'écouler plusieurs secondes avant que le débit se stabilise. Ajustez le % minimum jusqu'à ce que le débit minimal soit atteint.
  - Retournez à Régler la pompe VS et sélectionnez MAX.
  - La ou les pompes ou le robinet d'eau devraient commencer à fonctionner et le débit est visible sur cet écran; il peut s'écouler plusieurs secondes avant que le débit se stabilise. Ajustez le % maximum jusqu'à ce que le débit maximal soit atteint.
  - Appuyez sur Entrée.

#### d. Configuration de la trousse de capteurs

- i. Sélection de l'eau sursalée – Pour le calcul de la capacité EH/RH.
- ii. Débitmètre – Active le débitmètre.
- iii. Sélectionnez la puissance du ventilateur – ECM/5 vitesses. Sélectionnez 1 dans le débitmètre
- iv. Activez l'option d'énergie.
- v. Activation du ventilateur et du capteur de courant de chaleur auxiliaire.
- vi. Étalonnage de la tension de ligne – Voltmètre requis pour étalonner la tension de ligne pendant le chauffage ou le refroidissement. Référez-vous à la section sur le calibrage de la tension du présent manuel pour plus de détails.
- vii. Sélection de saumure de chargement – pour la capacité HE calcul
- viii. Débitmètre de charge - 1 po

#### e. Configuration du réseau intelligent – Sélectionnez l'option d'action pour le signal reçu en période de pointe.

#### f. Configuration Domotique 1 et 2 – Sélectionnez le type de capteur pour deux entrées de domotique.

##### Configuration 3D

- i. Priorité au chauffage – hydronique ou à air pulsé  
Temps de remplacement - 5 à 20 minutes
- ii. Priorité au refroidissement – Hydronique ou air pulsé  
Temps de remplacement - 5 à 20 minutes

#### g. Configuration hydronique

- i. Activation/désactivation en douceur de l'hydronique
- ii. Point de consigne du réservoir
- iii. Temps d'échantillonnage de la pompe de charge, 2, 3 ou 4 minutes
- iv. Température de la zone morte du réservoir, -16,7 à -9,4 °C (2 à 15 °F)
- v. Décalage du réservoir, -20,6 à -15 °C (-5 à 5 °F)
- vi. Aucune source d'OAT, AXB2 ou OAT TStat
- vii. Désactivation du verrouillage EH ou 4,4 °C (40 °F)
- viii. Désactivation de la température WWS ou 4,4 à 18,3 °C (40 à 65 °F)
- ix. Réinitialisation extérieure  
Faible température OAT, -17,8 à -6,7 °C (0 à 20 °F)  
SP de réservoir faible, 54,4 à 26,7 °C (130 à 80 °F)  
Haute température OAT, 4,4 à 15,6 °C (40 à 60 °F)  
SP de réservoir élevé, 26,7 °C (80 °F)

## Démarrage de l'unité (suite)

### Configuration des trousse de capteurs

#### Configuration des trousse de capteurs

Le système Aurora Advanced Control permet des trousse de capteurs de réfrigération, de puissance et de surveillance du rendement. Ces trousse peuvent être installées en usine ou sur place. La description suivante concerne l'activation sur le terrain d'une installation en usine des trousse de capteurs.

#### Surveillance de la puissance

La trousse de contrôle de l'énergie comprend deux transducteurs de courant (ventilateur et chaleur électrique) ajoutés aux deux capteurs de compresseur existants, afin que la consommation d'énergie complète de la thermopompe puisse être mesurée. L'outil AIDE fournit des détails de configuration pour le type de moteur de ventilateur, une procédure d'étalonnage pour améliorer la précision et un réglage de la puissance qui permet de régler la puissance du compresseur en fonction du voltage de l'appareil à l'aide des tableaux fournis. Cette information peut être affichée sur l'outil AIDE ou sur les thermostats communiquant sélectionnés. Le TPCC32U03 affichera la consommation d'énergie instantanée et affichera également un historique de 13 mois sous forme de graphique. Assurez-vous que la trousse énergétique a été activée en accédant aux « Configuration de la trousse de capteurs » dans l'outil AIDE et effectuez ce qui suit :

- a. Sélectionner « Puissance du ventilateur » - ECM/5 vitesses.
- b. Activez « Option de puissance » pour activer les capteurs sur le compresseur (2), le ventilateur et le capteur de courant de chaleur auxiliaire.
- c. Sélectionnez l'option « Pompe » FC1, FC2, VS Pump, VS+26-99 ou boucle ouverte. Cela sélectionne les watts de la pompe utilisés dans le calcul. Les watts de la pompe ne sont pas mesurés, mais estimés.
- d. Étalonage de la tension de ligne - Voltmètre requis pour étalonner la tension de ligne pendant le chauffage ou le refroidissement. Référez-vous à la section sur le calibrage de la tension du présent manuel pour plus de détails.
  - i. Mettez l'appareil en marche en mode chauffage ou refroidissement.
  - ii. Utilisez un multimètre aux niveaux L1 et L2 pour mesurer la tension de ligne.
  - iii. À l'écran Configuration de la trousse de capteurs, réglez la tension de base à la valeur la plus proche de celle mesurée.
  - iv. Utilisez ensuite le réglage fin pour sélectionner la tension exacte mesurée à L1 et L2.
  - v. Quittez l'écran « Configuration des capteurs ».
- e. Réglage électrique : Référez-vous aux tableaux Vitesse simple et Réglage de la puissance à double capacité dans la section « Commandes avancées » d'Aurora de la documentation.
  - i. Au menu principal, sélectionnez Paramètres.
  - ii. Une fois dans le menu Paramètres, sélectionnez le Facteur de réglage de la puissance.
  - iii. Réglage de la puissance - Permet d'entrer le

réglage de la puissance du compresseur de l'appareil pour un fonctionnement à haute et à basse vitesse. Consultez les tableaux, utilisez la tension la plus proche de la tension de ligne de l'appareil et ajustez la puissance en conséquence.

- f. La surveillance de la puissance peut être lue sur n'importe lequel des composants suivants :
  - i. Outil AIDE - Information instantanée seulement
  - ii. Thermostat à écran tactile couleur TPCC32U03 Instantanément et historique (13 mois)
  - iv. Portail Web via un appareil AWL connecté à Aurora

#### Surveillance du fluide frigorigène

La trousse de surveillance du fluide frigorigène en option comprend deux transducteurs de pression et trois capteurs de température, la conduite de liquide de chauffage, la température d'aspiration et la conduite de liquide de refroidissement existante (FP1). Ces capteurs permettent de mesurer les pressions de refoulement et d'aspiration, les températures des conduites d'aspiration et de liquide ainsi que la surchauffe et le sous-refroidissement. Ces renseignements ne seront affichés que dans l'outil AIDE. Assurez-vous que le système de surveillance du fluide frigorigène a été configuré en accédant à la section « Configuration de la trousse de capteurs » de l'outil AIDE et effectuez les tâches suivantes : Une fois les capteurs installés pour la pression de refoulement, la pression d'aspiration, l'aspiration, le refroidissement de la conduite de liquide, le chauffage de la conduite de liquide et la température de la sortie d'air, aucune autre configuration n'est requise.

- a. Mettez l'appareil en marche dans le chauffage ou le refroidissement.
- b. Utilisez l'outil AIDE pour afficher le rendement du fluide frigorigène à l'écran « Moniteur du fluide frigorigène ».
- c. La surveillance du fluide frigorigène peut être lue sur n'importe lequel des composants suivants :
  - i. Outil AIDE - Information instantanée seulement
  - ii. Portail Web WF via un appareil AWL connecté à Aurora

## Démarrage de l'unité (suite)

### Surveillance du rendement

La trousse de surveillance du rendement en comprend trois capteurs de température, soit l'entrée et la sortie de l'eau, la température de l'air sortant et un capteur de débit d'eau. Avec cette trousse, la chaleur d'extraction et de rejet sera calculée. Cela nécessite une configuration à l'aide de l'outil AIDE pour la sélection de l'eau ou de l'antigel. Assurez-vous que la trousse énergétique a été activée en accédant aux « Configuration de la trousse de capteurs » dans l'outil AIDE et effectuez ce qui suit :

- a. Sélectionnez « Eau sursalée », puis choisissez l'eau ou l'antigel pour le facteur approprié.
  - b. Activez « Débitmètre » pour activer le capteur de débit sélectionnez le 1 po. (036-072)
  - c. Quittez l'écran de configuration de la trousse de capteur; si l'unité est raccordée à un centre de débit à vitesse variable, le débit min/max doit être réglé.
    - i. Accédez à l'écran de configuration AXB et activez la commande de pompe VS.
    - ii. Réglez ensuite le pourcentage minimal de la pompe VS pour atteindre au moins 9,6 L (2,5 gal) par tonne pour un fonctionnement à charge partielle.
    - iii. Réglez ensuite le pourcentage maximal de la pompe VS pour atteindre au moins 11,4 L (3 gal) par tonne pour un fonctionnement à pleine charge.
  - d. Mettez l'appareil en marche dans le chauffage ou le refroidissement.
  - e. Utilisez l'outil AIDE pour afficher le rendement à l'écran « Moniteur de rendement ».
  - f. La surveillance du rendement peut être lue pour l'un ou l'autre des éléments suivants :
    - i. Outil AIDE - Information instantanée seulement
    - ii. Portail Web WF via un appareil AWL connecté à Aurora.
5. Vérifiez que le débit d'eau est correct en mesurant la chute de pression dans l'échangeur thermique à l'aide des bouchons P/T et en la comparant aux données de rendement de l'unité dans le catalogue.
  6. Vérifiez la température de l'eau d'alimentation et de refoulement (voir les tableaux des paramètres de fonctionnement de l'unité).
  7. Vérifiez si la température de l'air chute de -9,4 à -3,9 °C (15 à 25 °F) dans la bobine d'air, selon la vitesse du ventilateur et la température de l'entrée d'eau.
  8. Diminuez le point de référence de refroidissement de plusieurs degrés et vérifiez le fonctionnement à haute vitesse du ventilateur.
  9. Réglez le point de référence de refroidissement au-dessus de la température ambiante et vérifiez que le compresseur et la valve d'eau ou les pompes de la boucle est désactivée.
  10. Déclenchez un signal de commande pour placer l'appareil en mode de chauffage. Le point de référence de chauffage doit être réglé au-dessus de la température ambiante.
  11. Le chauffage de première phase s'active après un délai.
  12. Vérifiez la température de l'eau d'alimentation et de refoulement (voir les tableaux des paramètres de fonctionnement de l'unité).
  13. Vérifiez si la température de l'air augmente de -11,1 à -1,7 °C (12 à 35 °F) dans la bobine d'air, selon la vitesse du ventilateur et la température de l'entrée d'eau.
  14. Si des chaufferettes électriques auxiliaires sont installées, augmentez le point de consigne de chauffage jusqu'à ce que les banques de chaleur électriques soient mises en séquence. Toutes les étapes de la chaufferette auxiliaire doivent être mises en séquence lorsque le thermostat est en mode de chauffage d'urgence. Vérifiez l'ampérage de chaque élément.
  15. Réglez le point de consigne de chauffage sous la température ambiante et vérifiez que le compresseur et la valve d'eau ou les pompes de la boucle sont désactivées.
  16. Pendant tous les essais, vérifiez s'il y a des vibrations, des bruits ou des fuites d'eau excessives. Corrigez ou réparez au besoin.
  17. Réglez le système au mode de fonctionnement normal désiré et réglez la température pour maintenir le niveau de confort désiré.
  18. Informez le propriétaire/opérateur du bon fonctionnement du thermostat et de l'entretien du système.

### Étapes de démarrage

**REMARQUE :** Remplissez la feuille de contrôle de démarrage/mise en service de l'équipement pendant cette procédure. Consultez les instructions d'utilisation du thermostat et terminer la procédure de démarrage. Vérifiez que le boulon d'expédition du compresseur a été enlevé.

1. Déclenchez un signal de commande pour mettre le moteur du ventilateur sous tension. Vérifiez le fonctionnement du ventilateur à l'aide de l'outil AIDE.
2. Déclenchez un signal de commande pour placer l'appareil en mode de refroidissement. Le point de référence du refroidissement doit être réglé sous la température ambiante.
3. Le refroidissement du première phase s'active après un délai de temps.
4. Assurez-vous que le compresseur et la valve de régulation de l'eau ou les pompes de la boucle sont activés.

**REMARQUE :** Assurez-vous de remplir et de transmettre tous les documents d'enregistrement de garantie.

### Protection contre le gel

Si la thermopompe présente un verrouillage E-5 (protection contre le gel FPI). Vous devez attendre 5 heures avant de mettre l'appareil sous tension pour effacer le verrouillage. Ne pas attendre 5 heures pourrait entraîner le gel et l'éclatement de l'échangeur de chaleur coaxial. L'éclatement de l'échangeur de chaleur coaxial pourrait également entraîner l'introduction de frigorigène dans le débit d'eau de la source.

## Notes

## Guide de révision

<b>Pages</b>	<b>Description</b>	<b>Date</b>	<b>Par</b>
Toutes	Création de document	21 juillet 2023	MA



Manufacturé par  
WaterFurnace International, Inc.  
9000 Conservation Way  
Fort Wayne, IN 46809  
www.waterfurnace.com (en anglais seulement)

Produit : **Série 5 3D**  
Type : Pompe à chaleur géothermique avec chauffage  
d'eau pour applications de sol radiant  
Taille : Capacité double de 3 à 6 tonnes  
Document : Manuel d'installation

