

SUBMITTAL DATA

7 Series 700A11



R-454B
60Hz

SDW7-0018W

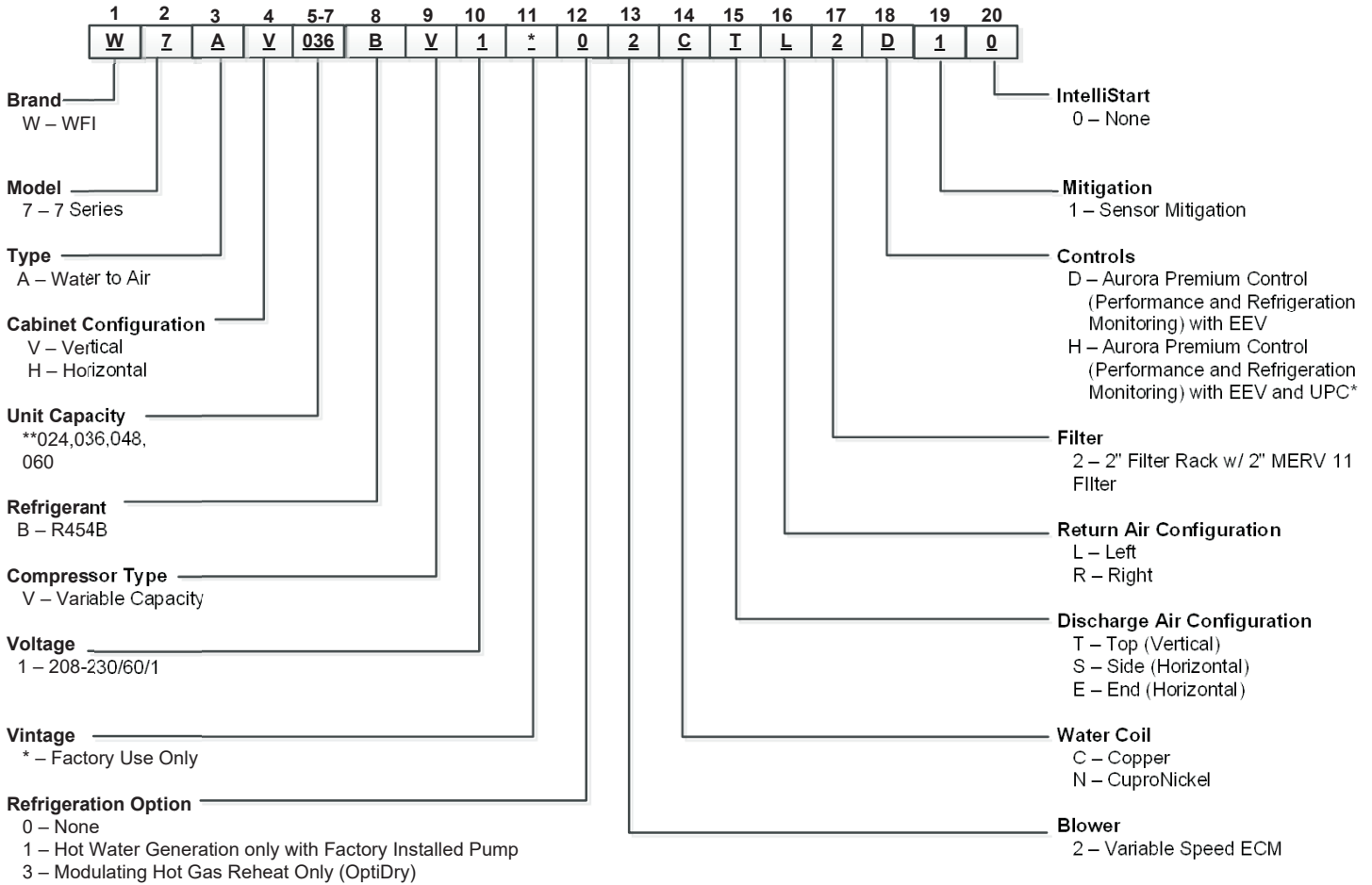


Contractor: _____ P.O.: _____
 Engineer: _____
 Project Name: _____ Unit Tag: _____

7 Series 700A11
3-6 Ton 60Hz



Model Nomenclature



Rev.: 5/16/24

*UPC is not compatible with Symphony or
IntelliZone2.
**024 model not available with OptiDry

Contractor: _____ P.O.: _____

Engineer: _____

Project Name: _____ Unit Tag: _____

7 Series 700A11
3-6 Ton 60Hz



AHRI/ISO 13256-1 Performance Ratings

Variable Speed Residential AHRI Data

ECM Motor
AHRI/ASHRAE/ISO 13256-1
English (IP) Units

Model	Capacity Modulation	Flow Rate Clg/Htg cfm	Water Loop Heat Pump				Ground Water Heat Pump				Ground Loop Heat Pump			
			Cooling EWT 86°F		Heating EWT 68°F		Cooling EWT 59°F		Heating EWT 50°F		Cooling Full Load 77°F Part Load 68°F		Heating Full Load 32°F Part Load 41°F	
			Capacity Btuh	EER Btuh/W	Capacity Btuh	COP	Capacity Btuh	EER Btuh/W	Capacity Btuh	COP	Capacity Btuh	EER Btuh/W	Capacity Btuh	COP
024	Full	850/1150	22,200	16.9	39,200	6.0	26,300	37.8	32,100	5.0	24,100	23.6	24,800	4.1
	Part		9,300	21.5	13,500	8.4	11,900	57.4	10,100	6.0	13,400	41.0	12,400	5.1
036	Full	1300/1500	33,500	15.3	51,800	5.4	38,200	28.7	41,900	4.7	35,800	18.1	32,900	3.8
	Part		11,900	20.4	17,000	7.9	11,400	51.6	14,000	5.9	13,400	41.0	12,400	5.1
048	Full	1500/1800	41,500	16.0	66,000	4.8	49,000	27.4	54,500	4.2	45,000	18.9	42,000	3.6
	Part		20,000	24.0	23,200	7.8	19,000	56.0	19,000	6.1	15,600	47.0	16,900	5.1
060	Full	1800/2200	50,000	15.3	79,800	4.7	60,700	23.4	66,000	4.3	56,000	17.1	51,700	3.5
	Part		20,400	23.7	28,300	8.0	27,000	54.2	22,100	5.9	22,700	42.0	19,400	5.2

Cooling capacities based upon 80.6°F DB, 66.2°F WB entering air temperature
Heating capacities based upon 68°F DB, 59°F WB entering air temperature
All ratings based upon 208V operation

6/13/24

WaterFurnace works continually to improve its products. As a result, the design and specifications of each product at the time of order may be changed without notice. Please contact WaterFurnace at 1-888-929-2837 for latest design and specifications. Purchaser's approval of this data set signifies that the equipment is acceptable under the provisions of the job specification. Statements and other information contained herein are not express warranties and do not form the basis of any bargain between the parties, but are merely WaterFurnace's opinion or commendation of its products. The latest version of this document is available at www.waterfurnace.com.

Contractor: _____ P.O.: _____

Engineer: _____

Project Name: _____ Unit Tag: _____

7 Series 700A11
3-6 Ton 60Hz



AHRI/ISO 13256-1 Performance Ratings

Energy Star Compliance Table

Model	Tier 3	
	Ground Water	Ground Loop
024	E	E
036	E	E
048	E	E
060	E	E

5/14/24

Energy Star Rating Criteria

In order for water-source heat pumps to be Energy Star rated they must meet or exceed the minimum efficiency requirements listed below. Tier 3 represents the current minimum efficiency water source heat pumps must have in order to be Energy Star rated.

Tier 3: 1/1/2012 - No Effective End Date Published

	EER	COP
Water-to-Air		
Ground Loop	17.1	3.6
Ground Water	21.1	4.1
Water-to-Water		
Ground Loop	16.1	3.1
Ground Water	20.1	3.5



Contractor: _____ P.O.: _____

Engineer: _____

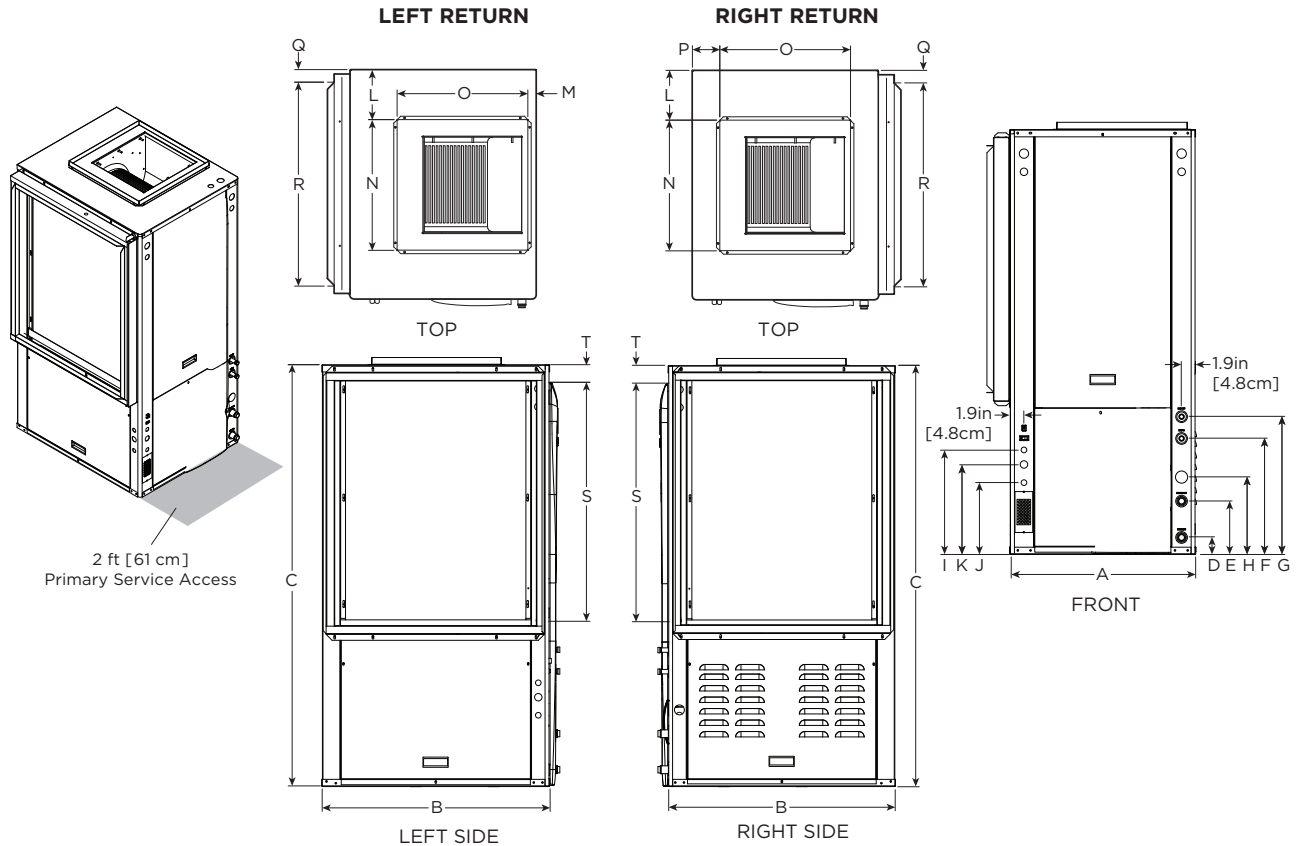
Project Name: _____ Unit Tag: _____

7 Series 700A11
3-6 Ton 60Hz



Dimensional Data - Vertical

Top Air Discharge



Vertical Top Flow Model	Overall Cabinet			Water Connections								Electrical Connections			Discharge Connection duct flange installed (± 0.10 in.)					Return Connection using std deluxe filter rack (± 0.10)			
	A	B	C	D	E	F	G	H	Loop Water FPT	HWG (O.D.)	I	J	K	L	M	N	O	P	Q	R	S	T	
	Width	Depth	Height	Loop In	Loop Out	HWG In	HWG Out	Condensate			1/2" cond Low Voltage	1/2" cond Ext Pump	3/4" cond Power Supply	Supply Width	Supply Depth	Return Depth	Return Height						
024-036	in.	25.6	31.6	54.4	2.3	7.3	15.9	18.9	10.6	1"	1/2"	14.3	9.8	12.3	6.9	1.1	18.0	18.0	3.8	1.7	28.1	30.0	1.7
	cm.	65.0	80.3	138.2	5.8	18.5	40.4	48.0	26.9	Swivel	Stub	36.3	24.9	31.2	17.5	2.8	45.7	45.7	9.7	4.3	71.4	76.2	4.3
048	in.	25.6	31.6	54.4	2.3	7.3	15.9	18.9	10.6	1"	1/2"	14.3	9.8	12.3	6.9	1.1	18.0	18.0	3.8	1.7	28.1	30.0	1.7
	cm.	65.0	80.3	138.2	5.8	18.5	40.4	48.0	26.9	Swivel	Stub	36.3	24.9	31.2	17.5	2.8	45.7	45.7	9.7	4.3	71.4	76.2	4.3
060	in.	25.6	31.6	58.4	2.3	7.3	15.9	18.9	10.6	1"	1/2"	14.3	9.8	12.3	6.9	1.1	18.0	18.0	3.8	1.7	28.1	34.0	1.7
	cm.	65.0	80.3	148.3	5.8	18.5	40.4	48.0	26.9	Swivel	Stub	36.3	24.9	31.2	17.5	2.8	45.7	45.7	9.7	4.3	71.4	86.4	4.3

Condensate is 3/4" PVC female glue socket and is switchable from side to front
Unit shipped with deluxe 2" (field adjustable to 1") duct collar/filter rack extending from unit 3.25" and is suitable for duct connection.
Discharge flange is field installed and extends 1" [25.4mm] from cabinet
Decorative molding and/or water connections extend 1.2" [30.5mm] beyond front of cabinet.
Louvered vents in the compressor section right side access panel extend 1/2" [12.7 mm] from side of cabinet. Allow clearance for venting.

05/10/24

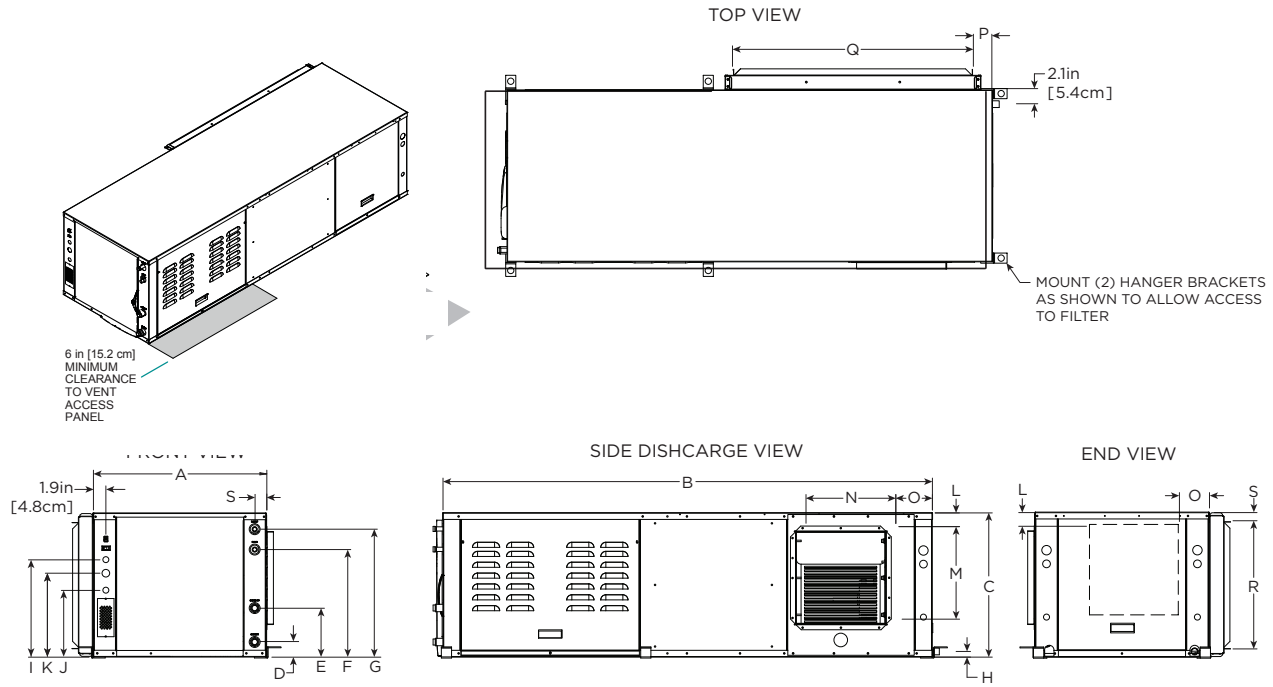
WaterFurnace works continually to improve its products. As a result, the design and specifications of each product at the time of order may be changed without notice. Please contact WaterFurnace at 1-888-929-2837 for latest design and specifications. Purchaser's approval of this data set signifies that the equipment is acceptable under the provisions of the job specification. Statements and other information contained herein are not express warranties and do not form the basis of any bargain between the parties, but are merely WaterFurnace's opinion or commendation of its products. The latest version of this document is available at www.waterfurnace.com.

Contractor: _____ P.O.: _____
 Engineer: _____
 Project Name: _____ Unit Tag: _____

**7 Series 700A11
 3-6 Ton 60Hz**



Dimensional Data - Horizontal



AS SHOWN LR UNIT (RR UNIT ON OPPOSITE SIDE—SAME DIMENSIONS)

Horizontal Models	Overall Cabinet			Water Connections								Electrical Connections			Discharge Connection duct flange installed (± 0.10 in.)				Return Connection using std deluxe filter rack (± 0.10)			
	A	B	C	D	E	F	G	H	Loop Water FPT	HWG Sweat (O.D.)	I	J	K	L	M	N	O	P	Q	R	S	
	Width	Depth	Height	In	Out	HWG In	HWG Out	Condensate			1/2" cond	1/2" cond	3/4" cond	Supply Height	Supply Depth		Return Depth	Return Height				
024-036	in.	25.6	77.0	21.3	2.3	7.3	15.9	18.9	0.8	1"	1/2"	14.3	9.8	12.3	SEE CHART	13.6	13.2	SEE CHART	2.8	40.4	18.9	1.3
	cm.	65.0	195.6	54.1	5.8	18.5	40.4	48.0	2.0	Swivel	Stub	36.3	24.9	31.2	SEE CHART	34.5	33.5	SEE CHART	7.1	102.6	48.0	3.3
048	in.	25.6	77.0	21.3	2.3	7.3	15.9	18.9	0.8	1"	1/2"	14.3	9.8	12.3	SEE CHART	13.6	13.2	SEE CHART	2.8	40.4	18.9	1.3
	cm.	65.0	195.6	54.1	5.8	18.5	40.4	48.0	2.0	Swivel	Stub	36.3	24.9	31.2	SEE CHART	34.5	33.5	SEE CHART	7.1	102.6	48.0	3.3
060	in.	25.6	82.0	21.3	2.3	7.3	15.9	18.9	0.8	1"	1/2"	14.3	9.8	12.3	SEE CHART	13.6	13.2	SEE CHART	2.8	45.4	18.9	1.3
	cm.	65.0	208.3	54.1	5.8	18.5	40.4	48.0	2.0	Swivel	Stub	36.3	24.9	31.2	SEE CHART	34.5	33.5	SEE CHART	7.1	115.3	48.0	3.3

Condensate is 3/4" PVC female glue socket and is switchable from side to front

5/10/24

Unit shipped with deluxe 2" (field adjustable to 1") duct collar/filter rack extending from unit 3.25" and is suitable for duct connection.

Discharge flange is field installed and extends 1" [25.4mm] from cabinet

Decorative molding and/or water connections extend 1.2" [30.5mm] beyond front of cabinet.

Louvered vents in the compressor section right side access panel extend 1/2" [12.7 mm] from side of cabinet. Allow clearance for venting.

Units Not Shown Above		L	O
Right Return End Discharge	in	2.8	4.6
	cm	7.1	11.8
Right Return Side Discharge	in	4.9	6.9
	cm	12.4	17.5
Left Return End Discharge	in	4.9	7.6
	cm	12.4	19.4
Left Return Side Discharge	in	2.8	6.9
	cm	7.1	17.5

WaterFurnace works continually to improve its products. As a result, the design and specifications of each product at the time of order may be changed without notice. Please contact WaterFurnace at 1-888-929-2837 for latest design and specifications. Purchaser's approval of this data set signifies that the equipment is acceptable under the provisions of the job specification. Statements and other information contained herein are not express warranties and do not form the basis of any bargain between the parties, but are merely WaterFurnace's opinion or commendation of its products. The latest version of this document is available at www.waterfurnace.com.

Contractor: _____ P.O.: _____

Engineer: _____

Project Name: _____ Unit Tag: _____

**7 Series 700A11
3-6 Ton 60Hz**



Physical Data

Model		024	036	048	060
Compressor (1 each)		Variable Speed Scroll			
Factory Charge R454B, oz [kg]	Vertical	64 [1.81]	64 [1.81]	95 [2.69]	110 [3.12]
Factory Charge R454B, oz [kg]	Horizontal	60 [1.70]	60 [1.70]	91 [2.58]	118 [3.35]
Factory Charge R454B, oz [kg]	Vertical MHGR Only	n/a	66 [1.87]	97 [2.75]	112 [3.18]
Factory Charge R454B, oz [kg]	Horizontal MHGR Only	n/a	62 [1.76]	93 [2.64]	120 [3.40]
ECM Blower Motor & Blower		Variable Speed			
Blower Motor Type/Speeds	ECM				
Blower Motor- hp [W]	ECM	1/2 [373]	1/2 [373]	1 [746]	1 [746]
High Static Blower Motor - hp [W]	ECM	1 [746]	1 [746]	n/a	n/a
Blower Wheel Size (Dia x W), in. [mm]	ECM	11 x 10 [279 x 254]	11 x 10 [279 x 254]	11 x 10 [279 x 254]	11 x 10 [279 x 254]
High Static Blower Wheel Size - [Dia. x W], in. [mm]	ECM	11 x 10 [279 x 254]	11 x 10 [279 x 254]	n/a	n/a
Coax and Water Piping					
Water Connections Size - Swivel - in [mm]		1" [25.4]	1" [25.4]	1" [25.4]	1" [25.4]
HWG Connection Size - Stub - in [mm]		1/2" [12.7]	1/2" [12.7]	1/2" [12.7]	1/2" [12.7]
Coax & Piping Water Volume - gal [l]		1.3 [4.9]	1.3 [4.9]	2.3 [8.7]	2.3 [8.7]
Vertical					
Air Coil Dimensions (H x W), in. [mm]		32 x 25 [813 x 635]	32 x 25 [813 x 635]	32 x 25 [813 x 635]	36 x 25 [914 x 635]
Air Coil Total Face Area, ft2 [m2]		5.6 [0.570]	5.6 [0.570]	5.6 [0.570]	6.3 [0.641]
Air Coil Tube Size, in [mm]		3/8 [9.5]	3/8 [9.5]	3/8 [9.5]	3/8 [9.5]
Air Coil Number of rows		3	3	3	4
Reheat Coil Dimensions (H x W), in. [mm] (MHGR Only)		23 x 30 [584 x 762]	23 x 30 [584 x 762]	23 x 30 [584 x 762]	23 x 34 [584 x 864]
Filter Standard - 2" [51mm] Pleated MERV11 Throwaway, in [mm]		32 x 30 [813 x 762]	32 x 30 [813 x 762]	32 x 30 [813 x 762]	36 x 30 [914 x 762]
Weight - Operating, lb [kg]		331 [150]	331 [150]	354 [161]	372 [169]
Weight - Packaged, lb [kg]		351 [159]	351 [159]	374 [170]	392 [178]
Weight - Operating, lb [kg] (MHGR Only)		n/a	382 [173]	418 [190]	444 [201]
Weight - Packaged, lb [kg] (MHGR Only)		n/a	402 [182]	438 [199]	464 [210]
Horizontal					
Air Coil Dimensions (H x W), in. [mm]		20 x 40 [508 x 1016]	20 x 40 [508 x 1016]	20 x 40 [508 x 1016]	20 x 45 [508 x 1143]
Air Coil Total Face Area, ft2 [m2]		5.6 [0.570]	5.6 [0.570]	5.6 [0.570]	6.3 [0.641]
Air Coil Tube Size, in [mm]		3/8 [9.5]	3/8 [9.5]	3/8 [9.5]	3/8 [9.5]
Air Coil Number of rows		3	3	3	4
Reheat Coil Dimensions (H x W), in. [mm] (MHGR Only)		18 x 33 [457 x 838]	18 x 33 [457 x 838]	18 x 33 [457 x 838]	18 x 38 [457 x 965]
Filter Standard - 2" [51mm] Pleated MERV11 Throwaway, in [mm]		1 - 20 x 20 [508 x 508] 1 - 20 x 22 [508 x 559]	1 - 20 x 20 [508 x 508] 1 - 20 x 22 [508 x 559]	1 - 20 x 20 [508 x 508] 1 - 20 x 22 [508 x 559]	1 - 20 x 25 [508 x 635] 1 - 20 x 22 [508 x 559]
Weight - Operating, lb [kg]		365 [166]	365 [166]	388 [176]	402 [182]
Weight - Packaged, lb [kg]		395 [179]	395 [179]	418 [190]	432 [196]
Weight - Operating, lb [kg] (MHGR Only)		n/a	387 [176]	452 [205]	494 [224]
Weight - Packaged, lb [kg] (MHGR Only)		n/a	407 [185]	482 [219]	514 [233]

5/10/24

WaterFurnace works continually to improve its products. As a result, the design and specifications of each product at the time of order may be changed without notice. Please contact WaterFurnace at 1-888-929-2837 for latest design and specifications. Purchaser's approval of this data set signifies that the equipment is acceptable under the provisions of the job specification. Statements and other information contained herein are not express warranties and do not form the basis of any bargain between the parties, but are merely WaterFurnace's opinion or commendation of its products. The latest version of this document is available at www.waterfurnace.com.

Contractor: _____ P.O.: _____

Engineer: _____

Project Name: _____ Unit Tag: _____

7 Series 700A11
3-6 Ton 60Hz



Auxiliary Heat Ratings

Model	KW		Stages	BTU/HR		Min CFM	Variable Speed Compatibility		
	208V	230V		208V	230V		024-036	048	060
EAL(H)10	7.2	9.6	2	24,600	32,700	1100	•	•	•
EAL(H)15	10.8	14.4	3	36,900	49,100	1250	•	•	•
EAL(H)20	14.4	19.2	4	49,200	65,500	1500		•	•

Air flow level for auxiliary heat (Aux) must be above the minimum cfm in this table
Order the "H" part number when installed on horizontal and vertical rear discharge units

5/10/24

Auxiliary Heat Electrical Data

Model	Supply Circuit	Heater Amps		Min Circuit Amp		Max Fuse (USA)		Max Fuse (CAN)		Max CKT BRK	
		208 V	240 V	208 V	240 V	208 V	240 V	208 V	240 V	208 V	240 V
EAL(H)10*	Single	34.7	40	53.3	60	60	60	60	60	60	60
EAL(H)15*	Single	52.0	60	75	85	80	90	80	90	70	100
	L1/L2	34.7	40	53.3	60	60	60	60	60	60	60
	L3/L4	17.3	20	21.7	25	25	25	25	25	20	30
EAL(H)20*	Single	69.3	80	96.7	110	100	110	100	110	100	100
	L1/L2	34.7	40	53.3	60	60	60	60	60	60	60
	L3/L4	34.7	40	43.3	50	45	50	45	50	40	50

All heaters rated single phase 60 cycle and include unit fan load
All fuses type "D" time delay (or HACR circuit breaker in USA)

11/30/17

WaterFurnace works continually to improve its products. As a result, the design and specifications of each product at the time of order may be changed without notice. Please contact WaterFurnace at 1-888-929-2837 for latest design and specifications. Purchaser's approval of this data set signifies that the equipment is acceptable under the provisions of the job specification. Statements and other information contained herein are not express warranties and do not form the basis of any bargain between the parties, but are merely WaterFurnace's opinion or commendation of its products. The latest version of this document is available at www.waterfurnace.com.

Contractor: _____ P.O.: _____

Engineer: _____

Project Name: _____ Unit Tag: _____

7 Series 700A11
3-6 Ton 60Hz



Electrical Data

Model	Rated Voltage	Voltage Min/Max	COMP MRC	COMP MOC	Drive RLA	Drive Internal Fuse	HWG Pump FLA	Ext Loop FLA	Blower Motor FLA	Total Unit FLA	Minimum Circuit Amp	Max Fuse HACR Breaker
024-036	208-230/60/1	187/253	22.0	17.0	22.0	30.0	0.4	5.4	4.0	31.8	37.3	40
*036	208-230/60/1	187/253	22.0	17.0	22.0	30.0	0.4	5.4	7.0	34.8	40.3	45
048	208-230/60/1	187/253	28.0	22.0	28.0	35.0	0.4	5.4	7.0	40.8	47.8	50
060	208-230/60/1	187/253	33.0	27.0	33.0	40.0	0.4	5.4	7.0	45.8	54.1	60

*With optional 1 HP ECM motor
 Rated Voltage of 208/230/60/1
 HACR circuit breaker in USA only
 All fuses Class RK-5

5/13/24

WaterFurnace works continually to improve its products. As a result, the design and specifications of each product at the time of order may be changed without notice. Please contact WaterFurnace at 1-888-929-2837 for latest design and specifications. Purchaser's approval of this data set signifies that the equipment is acceptable under the provisions of the job specification. Statements and other information contained herein are not express warranties and do not form the basis of any bargain between the parties, but are merely WaterFurnace's opinion or commendation of its products. The latest version of this document is available at www.waterfurnace.com.

Contractor: _____ P.O.: _____

Engineer: _____

Project Name: _____ Unit Tag: _____

7 Series 700A11
3-6 Ton 60Hz



Blower Performance Data

Variable Speed Air Flow

Model	Max ESP	Speed 1	Speed 2	Speed 3	Speed 4	Speed 5	Speed 6	Speed 7	Speed 8	Speed 9	Speed 10	Speed 11	Speed 12
024***	0.50	285	380 G	525 L	675	815	980	1100 H	1220 Aux				
036	0.50	285	380 G	525 L	675	815	980	1100	1220	1330	1440 H	1540 Aux	1575
036 w/1hp*	0.75	480	565 G	665 L	761	870	1000	1100	1200	1300	1410 H	1520 Aux	1630
048	0.75	475	620 G	730 L	850	1020	1140	1270	1400	1520	1650 H	1790 Aux	1925
060	0.75	400	600 G	830 L	1050	1230	1400	1560	1700	1870	2010 H	2140 Aux	2265
**VS Compressor Speed				1-2	3-4		5-6	7-8		9-10	11-12		

5/10/24

** VS Compressor speed is given for the factory default cfm settings. When the cfm default settings are changed it will change the relationship to the compressor speed that is shown in the table. In cooling mode compressor speeds 10-12 are only available when SuperBoost mode is selected at the thermostat.

* optional 1 HP ECM

Factory settings are at recommended G, L, H and Aux positions

"G" may be located anywhere within the airflow table

"L" setting should be located within the boldface CFM range

"H" setting MUST be located within the shaded CFM range

"Aux" setting MUST be equal to or greater than "H" setting

"Aux" setting MUST be equal to or greater than the minimum allowable CFM for the auxiliary heater kit (see auxiliary heat ratings table)

CFM is controlled within 5% up to the maximum ESP

Max ESP includes allowance for wet coil and standard filter

***Operation for 024 model above Speed 8 is NOT recommended

Contractor: _____ P.O.: _____
 Engineer: _____
 Project Name: _____ Unit Tag: _____

7 Series 700A11
3-6 Ton 60Hz



Operating Limits

Operating Limits	Cooling		Heating	
	(°F)	(°C)	(°F)	(°C)
Air Limits				
Min. Ambient Air	45	7.2	45	7.2
Rated Ambient Air	80	26.7	70	21.1
Max. Ambient Air	100	37.8	85	29.4
Min. Entering Air	50	10.0	40	4.4
Rated Entering Air db/wb	80.6/66.2	27/19	68	20.0
Max. Entering Air db/wb	110/83	43/28.3	80	26.7
Water Limits				
Min. Entering Water	30	-1.1	20	-6.7
Normal Entering Water	50-110	10-43.3	30-70	-1.1
Max. Entering Water	120	48.9	90	32.2

NOTE: Minimum/maximum limits are only for start-up conditions, and are meant for bringing the space up to occupancy temperature. Units are not designed to operate at the minimum/maximum conditions on a regular basis. The operating limits are dependent upon three primary factors: 1) water temperature, 2) return air temperature, and 3) ambient temperature. When any of the factors are at the minimum or maximum levels, the other two factors must be at the normal level for proper and reliable unit operation.

Definitions

cfm = airflow, cubic feet/minute
 EWT = entering water temperature, Fahrenheit
 gpm = water flow in gallons/minute
 WPD = water pressure drop, psi and feet of water
 EAT = entering air temperature, Fahrenheit (dry bulb/wet bulb)
 HC = air heating capacity, MBtu/h
 TC = total cooling capacity, MBtu/h
 SC = sensible cooling capacity, MBtu/h
 kW = total power unit input, kilowatts
 HR = total heat of rejection, MBtu/h
 HE = total heat of extraction, MBtu/h

HWC = hot water generator capacity, MBtu/h
 EER = Energy Efficient Ratio
 = Btu output/Watt input
 COP = Coefficient of Performance
 = Btu output/Btu input
 LWT = leaving water temperature, °F
 LAT = leaving air temperature, °F
 TH = total heating capacity, MBtu/h
 LC = latent cooling capacity, MBtu/h
 S/T = sensible to total cooling ratio

Notes to Performance Data Tables

The following notes apply to all performance data tables:

- Performance ratings are based on 80°F DB/67°F WB EAT for cooling and 70°F DB EAT for heating.
- Three flow rates are shown for each unit. The lowest flow rate shown is used for geothermal open loop/well water systems with a minimum of 50°F EWT. The middle flow rate shown is the minimum geothermal closed loop flow rate. The highest flow rate shown is optimum for geothermal closed loop systems and the suggested flow rate for boiler/tower applications.
- The hot water generator numbers are based on a flow rate of 0.4 gpm/ton of rated capacity with an EWT of 90°F.
- Entering water temperatures below 40°F assumes 15% antifreeze solution.
- For non-standard EAT conditions, apply the appropriate Correction Factor tables.
- Interpolation between EWT, gpm, and cfm data is permissible, extrapolation is not.

Reference Calculations

Heating Calculations:	Cooling Calculations:
$LWT = EWT - \frac{HE}{gpm \times 500}$	$LWT = EWT + \frac{HR}{gpm \times 500}$
$LAT = EAT + \frac{HC}{cfm \times 1.08}$	$LAT (DB) = EAT (DB) - \frac{SC}{cfm \times 1.08}$
$TH = HC + HW$	$LC = TC - SC$
	$S/T = \frac{SC}{TC}$

WaterFurnace works continually to improve its products. As a result, the design and specifications of each product at the time of order may be changed without notice. Please contact WaterFurnace at 1-888-929-2837 for latest design and specifications. Purchaser's approval of this data set signifies that the equipment is acceptable under the provisions of the job specification. Statements and other information contained herein are not express warranties and do not form the basis of any bargain between the parties, but are merely WaterFurnace's opinion or commendation of its products. The latest version of this document is available at www.waterfurnace.com.

Contractor: _____ P.O.: _____

Engineer: _____

Project Name: _____ Unit Tag: _____

7 Series 700A11
3-6 Ton 60Hz



Correction Factor Tables

Air Flow Corrections (Compressor Speeds 1-3)

Airflow		Cooling				Heating		
CFM Per Ton of Clg	% of Nominal	Total Cap	Sens Cap	Power	Heat of Rej	Htg Cap	Power	Heat of Ext
240	60	0.940	0.740	0.967	0.951	0.943	1.106	0.902
275	69	0.950	0.783	0.973	0.959	0.953	1.088	0.918
300	75	0.960	0.827	0.978	0.967	0.962	1.070	0.935
325	81	0.970	0.870	0.984	0.975	0.972	1.053	0.951
350	88	0.980	0.913	0.989	0.984	0.981	1.035	0.967
375	94	0.990	0.957	0.995	0.992	0.991	1.018	0.984
400	100	1.000	1.000	1.000	1.000	1.000	1.000	1.000
425	106	1.030	1.022	1.024	1.026	1.009	0.982	1.016
450	113	1.060	1.045	1.048	1.051	1.019	0.965	1.033
475	119	1.091	1.067	1.071	1.077	1.028	0.947	1.049
500	125	1.121	1.089	1.095	1.103	1.038	0.930	1.065
520	130	1.151	1.111	1.110	1.129	1.047	0.912	1.082

6/29/12

Air Flow Corrections (Compressor Speeds 4-12)

Airflow		Cooling				Heating		
CFM Per Ton of Clg	% of Nominal	Total Cap	Sens Cap	Power	Heat of Rej	Htg Cap	Power	Heat of Ext
240	60	0.928	0.747	0.936	0.929	0.961	1.097	0.938
275	69	0.940	0.789	0.946	0.941	0.967	1.081	0.948
300	75	0.952	0.831	0.957	0.953	0.974	1.064	0.959
325	81	0.964	0.873	0.968	0.965	0.980	1.048	0.969
350	88	0.976	0.916	0.979	0.976	0.987	1.032	0.979
375	94	0.988	0.958	0.989	0.988	0.993	1.016	0.990
400	100	1.000	1.000	1.000	1.000	1.000	1.000	1.000
425	106	1.020	1.023	1.004	1.018	1.010	0.966	1.018
450	113	1.056	1.042	1.008	1.035	1.020	0.932	1.036
475	119	1.072	1.079	1.011	1.053	1.029	0.898	1.054
500	125	1.087	1.095	1.015	1.070	1.039	0.865	1.071
520	130	1.099	1.113	1.019	1.088	1.049	0.831	1.089

6/14/12

Cooling Capacity Corrections

Entering Air WB °F	Total Clg Cap	Sensible Cooling Capacity Multipliers - Entering DB °F										Power Input	Heat of Rejection
		60	65	70	75	80	80.6	85	90	95	100		
55	0.898	0.723	0.866	1.048	1.185	*	*	*	*	*	*	0.985	0.913
60	0.912		0.632	0.880	1.078	1.244	1.260	*	*	*	*	0.994	0.927
63	0.945			0.768	0.960	1.150	1.175	*	*	*	*	0.996	0.954
65	0.976			0.694	0.881	1.079	1.085	1.270	*	*	*	0.997	0.972
66.2	0.983			0.655	0.842	1.040	1.060	1.232	*	*	*	0.999	0.986
67	1.000			0.616	0.806	1.000	1.023	1.193	1.330	1.480	*	1.000	1.000
70	1.053				0.693	0.879	0.900	1.075	1.205	1.404	*	1.003	1.044
75	1.168					0.687	0.715	0.875	1.040	1.261	1.476	1.007	1.141

NOTE: *Sensible capacity equals total capacity at conditions shown.

4/22/12

Heating Capacity Corrections

Ent Air DB °F	Heating Corrections		
	Htg Cap	Power	Heat of Ext
45	1.062	0.739	1.158
50	1.050	0.790	1.130
55	1.037	0.842	1.096
60	1.025	0.893	1.064
65	1.012	0.945	1.030
68	1.005	0.976	1.012
70	1.000	1.000	1.000
75	0.987	1.048	0.970
80	0.975	1.099	0.930

11/10/09

WaterFurnace works continually to improve its products. As a result, the design and specifications of each product at the time of order may be changed without notice. Please contact WaterFurnace at 1-888-929-2837 for latest design and specifications. Purchaser's approval of this data set signifies that the equipment is acceptable under the provisions of the job specification. Statements and other information contained herein are not express warranties and do not form the basis of any bargain between the parties, but are merely WaterFurnace's opinion or commendation of its products. The latest version of this document is available at www.waterfurnace.com.

Contractor: _____ P.O.: _____

Engineer: _____

Project Name: _____ Unit Tag: _____

7 Series 700A11
3-6 Ton 60Hz



Antifreeze Corrections

Catalog performance can be corrected for antifreeze use. Please use the following table and note the example given.

Antifreeze Type	Antifreeze % by wt	Heating	Cooling	Pressure Drop
EWT - °F [°C]		30 [-1.1]	90 [32.2]	30 [-1.1]
Water	0	1.000	1.000	1.000
Ethylene Glycol	10	0.973	0.991	1.075
	20	0.943	0.979	1.163
	30	0.917	0.965	1.225
	40	0.890	0.955	1.324
	50	0.865	0.943	1.419
Propylene Glycol	10	0.958	0.981	1.130
	20	0.913	0.969	1.270
	30	0.854	0.950	1.433
	40	0.813	0.937	1.614
	50	0.770	0.922	1.816
Ethanol	10	0.927	0.991	1.242
	20	0.887	0.972	1.343
	30	0.856	0.947	1.383
	40	0.815	0.930	1.523
	50	0.779	0.911	1.639
Methanol	10	0.957	0.986	1.127
	20	0.924	0.970	1.197
	30	0.895	0.951	1.235
	40	0.863	0.936	1.323
	50	0.833	0.920	1.399



WARNING: Gray area represents antifreeze concentrations greater than 35% by weight and should be avoided due to the extreme performance penalty they represent.

Antifreeze Correction Example

Antifreeze solution is Propylene Glycol 20% by weight. Determine the corrected heating and cooling performance at 30°F and 90°F respectively as well as pressure drop at 30°F for a 036 operating at 100% capacity.

The corrected cooling capacity at 90°F would be: 35,200 Btu/h x 0.969 = 34,109 Btu/h

The corrected heating capacity at 30°F would be: 37,400 Btu/h x 0.913 = 34,146 Btu/h

The corrected pressure drop at 30°F and 11.5 gpm would be: 7.9 feet of head x 1.270 = 10.03 feet of head

Contractor: _____ P.O.: _____

Engineer: _____

Project Name: _____ Unit Tag: _____

7 Series 700A11
3-6 Ton 60Hz



Pressure Drop

Model	GPM	Pressure Drop (psi)				
		30° F	50° F	70°	90° F	110° F
024-036	11.5	3.60	3.30	3.10	2.90	2.70
	9.0	2.30	2.10	2.00	1.90	1.70
	7.0	1.50	1.40	1.30	1.20	1.10
	6.0	1.20	1.15	1.10	1.05	1.00
	4.5	0.70	0.66	0.64	0.60	0.55
048	13.5	4.60	4.40	4.10	3.80	3.50
	10.5	2.90	2.70	2.50	2.30	2.20
	7.5	1.70	1.60	1.50	1.40	1.30
	6.0	1.20	1.10	1.00	0.96	0.91
	4.0	0.62	0.61	0.60	0.58	0.56
060	17.0	6.40	6.00	5.60	5.20	4.80
	13.5	4.10	3.80	3.60	3.30	3.10
	9.5	2.20	2.10	2.00	1.80	1.70
	7.5	1.70	1.60	1.50	1.40	1.30
	5.0	0.68	0.62	0.58	0.55	0.53

5/10/24

WaterFurnace works continually to improve its products. As a result, the design and specifications of each product at the time of order may be changed without notice. Please contact WaterFurnace at 1-888-929-2837 for latest design and specifications. Purchaser's approval of this data set signifies that the equipment is acceptable under the provisions of the job specification. Statements and other information contained herein are not express warranties and do not form the basis of any bargain between the parties, but are merely WaterFurnace's opinion or commendation of its products. The latest version of this document is available at www.waterfurnace.com.

Contractor: _____ P.O.: _____

Engineer: _____

Project Name: _____ Unit Tag: _____

**7 Series 700A11
3-6 Ton 60Hz**



Performance Data

024 - 50% Part Load

EWT °F	Flow gpm	WPD		HEATING - EAT 70°F								EWT °F	Flow gpm	WPD		COOLING - EAT 80/67 °F								
		PSI	FT	Airflow cfm	HC MBtuh	Power kW	HE MBtuh	LAT °F	COP	HWC MBtuh	PSI			FT	Airflow cfm	TC MBtuh	SC MBtuh	S/T Ratio	Power kW	HR MBtuh	EER	HWC MBtuh		
20	3.0	0.37	0.8	Operation not recommended								20	2.5	0.19	0.4	Operation not recommended								
	4.5	0.84	1.9	Operation not recommended									3.5	0.58	1.3	Operation not recommended								
	5.5	1.31	3.0	600	7.6	0.72	4.7	78.6	3.13	1.3	800		7.7	0.63	5.1	73.8	3.57	1.1	Operation not recommended					
30	3.0	0.35	0.8	600	8.0	0.60	5.5	79.4	3.92	1.4	30	2.5	0.18	0.4	500	13.7	10.0	0.73	0.40	14.2	34.5	-		
				800	8.3	0.61	5.8	74.9	3.97	1.2					650	14.0	11.0	0.79	0.41	14.5	33.8	-		
	4.5	0.81	1.9	600	8.2	0.60	5.7	79.9	4.00	1.5	3.5	0.56	1.3	500	13.9	10.1	0.73	0.38	14.3	36.8	-			
				800	8.5	0.61	6.0	75.3	4.06	1.3				650	14.1	11.0	0.78	0.40	14.6	35.5	-			
	5.5	1.27	2.9	600	9.0	0.72	6.1	81.9	3.69	1.6	5.0	0.94	2.2	500	14.0	10.1	0.72	0.37	14.3	38.1	-			
				800	9.1	0.63	6.5	76.2	4.21	1.3				650	14.3	11.0	0.77	0.39	14.7	37.2	-			
40	3.0	0.34	0.8	600	9.3	0.60	6.9	82.7	4.53	1.5	40	2.5	0.18	0.4	500	15.3	10.6	0.70	0.36	15.5	42.5	-		
				800	9.7	0.62	7.1	77.3	4.60	1.3					650	15.6	11.6	0.75	0.37	15.8	41.6	-		
	4.5	0.79	1.8	600	9.6	0.61	7.2	83.4	4.66	1.7	3.5	0.54	1.3	500	15.5	10.7	0.69	0.34	15.6	45.3	-			
				800	10.0	0.62	7.4	77.8	4.73	1.4				650	15.8	11.7	0.74	0.36	15.9	44.0	-			
	5.5	1.23	2.8	600	10.2	0.62	7.6	84.7	4.79	1.7	5.0	0.91	2.1	500	15.6	10.7	0.69	0.33	15.7	47.0	-			
				800	10.5	0.63	7.9	78.8	4.87	1.4				650	15.9	11.7	0.74	0.35	16.1	46.0	-			
50	3.0	0.33	0.8	600	10.7	0.61	8.2	86.0	5.12	1.7	50	2.5	0.17	0.4	500	16.6	10.9	0.65	0.31	16.6	53.2	-		
				800	11.0	0.62	8.5	79.7	5.21	1.4					650	17.1	12.0	0.70	0.32	17.1	53.6	-		
	4.5	0.76	1.8	600	11.1	0.61	8.6	86.9	5.29	1.8	3.5	0.53	1.2	500	16.8	10.9	0.65	0.30	16.7	55.1	-			
				800	11.4	0.62	8.9	80.4	5.39	1.5				650	17.3	12.1	0.70	0.31	17.2	55.6	-			
	5.5	1.19	2.8	600	11.6	0.63	9.0	88.2	5.42	1.9	5.0	0.88	2.0	500	17.1	11.2	0.66	0.30	17.0	56.5	-			
				800	11.9	0.64	9.3	81.3	5.51	1.7				650	17.6	12.4	0.71	0.31	17.4	57.0	-			
60	3.0	0.32	0.7	600	12.1	0.62	9.6	89.5	5.72	1.8	60	2.5	0.17	0.4	500	15.0	10.7	0.71	0.41	15.4	36.4	0.7		
				800	12.4	0.63	9.9	82.2	5.82	1.5					650	15.4	11.9	0.77	0.42	15.8	36.7	0.8		
	4.5	0.74	1.7	600	12.6	0.62	10.1	90.6	5.96	1.9	3.5	0.51	1.2	500	15.1	10.8	0.71	0.40	15.5	37.7	0.8			
				800	12.9	0.62	10.4	83.0	6.06	1.6				650	15.6	11.9	0.77	0.41	15.9	38.0	0.8			
	5.5	1.15	2.7	600	13.1	0.63	10.5	91.7	6.03	2.0	5.0	0.85	2.0	500	15.4	11.1	0.72	0.40	15.7	38.7	0.9			
				800	13.4	0.64	10.7	83.8	6.14	1.7				650	15.8	12.2	0.77	0.41	16.2	39.0	0.9			
70	3.0	0.31	0.7	600	13.5	0.63	11.0	92.9	6.30	1.9	70	2.5	0.16	0.4	500	13.4	10.6	0.79	0.51	14.2	26.1	0.9		
				800	13.7	0.64	11.1	84.5	6.34	1.6					650	14.0	11.9	0.85	0.60	15.1	23.2	1.0		
	4.5	0.71	1.7	600	14.1	0.63	11.6	94.3	6.60	2.0	3.5	0.49	1.1	500	13.5	10.6	0.79	0.50	14.3	27.1	1.1			
				800	14.4	0.63	11.8	85.7	6.73	1.7				650	13.9	11.8	0.85	0.51	14.7	27.3	1.1			
	5.5	1.12	2.6	600	14.5	0.64	11.9	95.2	6.63	2.1	5.0	0.83	1.9	500	13.7	10.9	0.80	0.49	14.5	27.7	1.1			
				800	14.8	0.64	12.1	86.3	6.76	1.8				650	13.7	11.9	0.87	0.44	15.3	31.1	1.1			
80	3.0	0.30	0.7	600	14.9	0.64	12.3	96.1	6.80	2.0	80	2.5	0.16	0.4	500	12.5	9.8	0.78	0.63	13.8	19.9	1.5		
				800	15.1	0.64	12.5	86.9	6.93	1.7					650	12.9	10.9	0.84	0.64	14.2	20.1	1.5		
	4.5	0.69	1.6	600	15.6	0.64	13.0	97.9	7.17	2.2	3.5	0.48	1.1	500	12.6	9.9	0.78	0.61	13.9	20.6	1.6			
				800	15.8	0.63	13.2	88.1	7.31	1.8				650	13.0	10.9	0.84	0.63	14.3	20.8	1.6			
	5.5	1.08	2.5	600	15.8	0.65	13.2	98.4	7.13	2.3	5.0	0.80	1.8	500	12.8	10.1	0.79	0.61	14.1	21.1	1.6			
				800	16.0	0.65	13.3	88.5	7.27	1.9				650	13.2	11.2	0.85	0.62	14.4	21.3	1.9			
90	3.0	0.29	0.7	600	16.2	0.65	13.6	99.4	7.28	2.2	90	2.5	0.15	0.3	500	11.7	9.0	0.77	0.75	13.4	15.6	1.9		
				800	16.4	0.65	13.7	89.2	7.43	1.8					650	12.0	10.0	0.83	0.76	13.8	15.8	1.9		
	4.5	0.67	1.5	600	17.1	0.65	14.4	101.4	7.72	2.3	3.5	0.46	1.1	500	11.8	9.1	0.77	0.73	13.5	16.2	2.0			
				800	17.2	0.64	14.6	90.6	7.88	1.9				650	12.1	10.1	0.83	0.74	13.8	16.3	2.0			
	5.5	1.04	2.4	600	17.1	0.66	14.4	101.6	7.61	2.5	5.0	0.78	1.8	500	12.5	9.6	0.77	0.74	14.2	16.9	2.1			
				800	17.2	0.65	14.6	90.7	7.76	2.0				650	11.8	10.9	0.92	0.74	14.6	15.9	2.1			
100	3.0	0.28	0.6	Operation not recommended								100	2.5	0.15	0.3	500	10.9	8.7	0.80	0.90	13.2	12.1	2.3	
	4.5	0.64	1.5	Operation not recommended									3.5	0.44	1.0	500	11.2	9.6	0.86	0.92	13.6	12.2	2.3	
	5.5	1.00	2.3	Operation not recommended									5.0	0.74	1.7	500	11.0	8.7	0.80	0.88	13.3	12.5	2.4	
110	3.0	0.27	0.6	Operation not recommended								110	2.5	0.14	0.3	500	10.1	8.3	0.83	1.06	13.0	9.5	2.2	
				650	10.4	9.2	0.89	1.08	13.4	9.6	2.3													
	4.5	0.62	1.4	Operation not recommended								3.5	0.43	1.0	500	10.2	8.4	0.82	1.03	13.0	9.9	2.4		
				650	10.5	9.3	0.89	1.05	13.4	10.0	2.4													
	5.5	0.96	2.2	Operation not recommended								5.0	0.71	1.6	500	10.4	8.6	0.83	1.02	13.2	10.1	2.6		
				650	10.7	9.5	0.89	1.04	13.5	10.2	2.6													
120	3.0	0.26	0.6	Operation not recommended								120	2.5	0.13	0.3	500	9.4	8.5	0.90	1.35	13.4	7.0	3.2	
				650	9.6	9.2	0.96	1.38	13.7	7.0	3.3													
	4.5	0.59	1.4	Operation not recommended								3.5	0.41	0.9	500	9.5	8.5	0.90	1.28	13.3	7.5	3.3		
				650	9.7	9.3	0.96	1.31	13.5	7.4	3.3													
	5.5	0.93	2.1	Operation not recommended								5.0	0.68	1.6	500	9.6	8.5	0.89	1.24	13.2	7.8	3.4		
				650	9.8	9.4	0.96	1.15	12.0	8.5	3.4													

Performance capacities shown in thousands of Btu/h.

6/13/24

WaterFurnace works continually to improve its products. As a result, the design and specifications of each product at the time of order may be changed without notice. Please contact WaterFurnace at 1-888-929-2837 for latest design and specifications. Purchaser's approval of this data set signifies that the equipment is acceptable under the provisions of the job specification. Statements and other information contained herein are not express warranties and do not form the basis of any bargain between the parties, but are merely WaterFurnace's opinion or commendation of its products. The latest version of this document is available at www.waterfurnace.com.

Contractor: _____ P.O.: _____

Engineer: _____

Project Name: _____ Unit Tag: _____

**7 Series 700A11
3-6 Ton 60Hz**



Performance Data cont.

024 - 100% Full Load

EWT °F	Flow gpm	WPD		HEATING - EAT 70°F								EWT °F	Flow gpm	WPD		COOLING - EAT 80/67 °F													
		PSI	FT	Airflow cfm	HC MBtuh	Power kW	HE MBtuh	LAT °F	COP	HWC MBtuh	PSI			FT	Airflow cfm	TC MBtuh	SC MBtuh	S/T Ratio	Power kW	HR MBtuh	EER	HWC MBtuh							
20	5.0	0.87	2.0	Operation not recommended								20	4.0	0.49	1.1	Operation not recommended													
	7.0	2.15	5.0	Operation not recommended									6.0	1.70	3.9	Operation not recommended													
	9.0	2.81	6.5	1000	22.4	2.11	14.2	90.7	3.12	3.8	1350		23.1	2.04	15.2	86.1	3.33	3.4											
30	5.0	0.85	2.0	1000	25.1	1.94	17.6	93.4	3.80	4.1	1350	25.9	2.01	18.0	88.2	3.77	3.8	4.0	0.48	1.1	700	24.5	16.7	0.68	0.48	26.8	51.0	-	
	7.0	2.09	4.8	1000	25.8	1.97	18.1	94.0	3.83	4.2	1350	26.5	2.03	18.6	88.6	3.83	3.9	4.0	0.48	1.15	2.7	700	24.8	16.8	0.68	0.46	27.0	54.3	-
	9.0	2.36	5.5	1000	26.2	2.12	18.0	94.5	3.63	4.4	1350	25.2	1.90	18.8	89.3	3.89	5.0	4.0	0.48	1.15	2.7	700	25.2	18.4	0.73	0.48	27.5	52.4	-
40	5.0	0.82	1.9	1000	29.0	1.97	21.3	97.2	4.31	4.5	1350	29.9	2.02	22.0	91.2	4.33	4.0	4.0	0.46	1.1	1.1	700	24.9	18.0	0.70	0.58	28.6	45.0	-
	7.0	2.03	4.7	1000	30.0	2.01	22.1	98.1	4.36	4.6	1350	30.9	2.06	22.9	91.9	4.40	4.1	4.0	0.46	1.12	2.6	700	26.2	18.2	0.69	0.55	28.8	47.9	-
	9.0	2.65	6.1	1000	30.5	2.03	22.6	98.7	4.41	4.8	1350	31.5	2.08	23.4	92.4	4.45	4.2	4.0	0.46	1.12	2.6	700	26.4	18.2	0.69	0.53	28.9	49.7	-
50	5.0	0.79	1.8	1000	32.9	2.01	25.1	101.1	4.81	4.8	1350	33.9	2.04	26.0	94.3	4.88	4.5	4.0	0.45	1.0	1.0	700	26.2	17.7	0.68	0.67	29.4	39.2	-
	7.0	1.97	4.5	1000	34.1	2.05	26.1	102.3	4.87	5.2	1350	35.2	2.08	27.1	95.2	4.96	4.6	4.0	0.45	1.0	1.0	700	27.5	19.7	0.72	0.70	30.9	39.2	-
	9.0	2.56	5.9	1000	34.9	2.07	26.8	103.0	4.94	5.3	1350	36.0	2.10	27.8	95.8	5.02	5.4	4.0	0.45	1.0	1.0	700	26.7	17.9	0.67	0.63	29.7	42.5	-
60	5.0	0.74	1.7	1000	36.2	2.02	28.3	104.3	5.24	4.9	1350	37.3	2.04	29.4	96.8	5.38	4.5	4.0	0.45	1.0	1.0	700	26.7	19.9	0.71	0.66	31.3	42.6	-
	7.0	1.90	4.4	1000	37.8	2.08	29.7	105.9	5.33	5.4	1350	39.0	2.09	30.9	98.1	5.47	4.6	4.0	0.45	1.0	1.0	700	27.0	20.0	0.74	0.91	30.6	29.6	1.5
	9.0	2.48	5.7	1000	38.7	2.10	30.5	106.8	5.40	5.5	1350	40.0	2.11	31.8	98.8	5.55	4.8	4.0	0.45	1.0	1.0	700	27.0	19.0	0.73	0.85	29.4	30.5	1.4
70	5.0	0.72	1.7	1000	39.5	2.04	31.5	107.5	5.68	5.3	1350	40.8	2.11	32.6	99.5	5.66	5.0	4.0	0.45	1.0	1.0	700	27.3	21.1	0.77	0.98	30.8	30.6	1.5
	7.0	1.84	4.3	1000	41.5	2.10	33.3	109.5	5.78	5.5	1350	42.8	2.10	34.6	101.0	5.97	5.1	4.0	0.45	1.0	1.0	700	24.1	17.9	0.74	1.15	28.7	20.9	1.9
	9.0	1.94	4.5	1000	42.5	2.13	34.2	110.6	5.86	6.1	1350	42.0	2.12	34.7	100.4	5.81	6.6	4.0	0.45	1.0	1.0	700	25.6	20.7	0.81	1.15	30.1	22.3	2.0
80	5.0	0.70	1.6	1000	42.2	2.07	34.1	110.2	5.96	5.8	1350	43.7	2.06	35.6	101.6	6.22	4.9	4.0	0.44	1.0	1.0	700	24.7	18.1	0.73	0.99	28.7	24.9	2.2
	7.0	1.78	4.1	1000	44.6	2.16	36.2	112.6	6.06	6.0	1350	46.1	2.14	37.8	103.5	6.33	5.1	4.0	0.44	1.06	2.4	700	25.8	20.1	0.78	1.03	29.9	25.1	2.2
	9.0	2.32	5.4	1000	45.9	2.19	37.4	113.9	6.16	6.1	1350	47.5	2.15	39.1	104.5	6.46	5.7	4.0	0.44	1.06	2.4	700	25.0	18.8	0.75	0.97	28.8	25.8	2.2
90	5.0	0.67	1.6	1000	44.9	2.11	36.7	112.9	6.23	5.9	1350	46.5	2.08	38.4	103.8	6.55	5.4	4.0	0.43	1.0	1.0	700	23.0	17.7	0.77	1.40	27.8	16.5	2.8
	7.0	1.71	4.0	1000	47.8	2.21	39.1	115.7	6.34	6.2	1350	49.5	2.17	41.0	106.0	6.68	5.7	4.0	0.43	1.06	2.5	700	23.6	17.9	0.76	1.35	28.3	17.5	2.9
	9.0	1.79	4.1	1000	49.3	2.24	40.5	117.2	6.45	6.9	1350	51.4	2.29	43.6	109.9	6.58	7.9	4.0	0.43	1.06	2.5	700	24.6	19.9	0.81	1.39	29.3	17.7	2.9
100	5.0	0.64	1.5	1000	45.9	2.11	36.7	112.9	6.23	5.9	1350	46.5	2.08	38.4	103.8	6.55	5.4	4.0	0.43	1.06	2.5	700	23.9	18.4	0.77	1.32	28.4	18.1	3.1
	7.0	1.65	3.8	1000	47.8	2.21	39.1	115.7	6.34	6.2	1350	49.5	2.17	41.0	106.0	6.68	5.7	4.0	0.43	1.06	2.5	700	24.9	20.4	0.82	1.36	29.5	18.3	3.1
	9.0	2.16	5.0	1000	44.9	2.11	36.7	112.9	6.23	5.9	1350	46.5	2.08	38.4	103.8	6.55	5.4	4.0	0.43	1.06	2.5	700	23.9	18.4	0.77	1.32	28.4	18.1	3.1
110	5.0	0.62	1.4	1000	44.9	2.11	36.7	112.9	6.23	5.9	1350	46.5	2.08	38.4	103.8	6.55	5.4	4.0	0.42	1.0	1.0	700	21.9	17.6	0.80	1.59	27.3	13.8	3.7
	7.0	1.59	3.7	1000	47.8	2.21	39.1	115.7	6.34	6.2	1350	49.5	2.17	41.0	106.0	6.68	5.7	4.0	0.42	1.03	2.4	700	22.6	17.8	0.79	1.54	27.8	14.6	3.9
	9.0	2.07	4.8	1000	49.3	2.24	40.5	117.2	6.45	6.9	1350	51.4	2.29	43.6	109.9	6.58	7.9	4.0	0.42	1.03	2.4	700	23.0	17.4	0.76	1.52	28.1	15.1	4.1
120	5.0	0.58	1.3	1000	44.9	2.11	36.7	112.9	6.23	5.9	1350	46.5	2.08	38.4	103.8	6.55	5.4	4.0	0.42	1.0	1.0	700	20.4	16.9	0.83	1.84	26.6	11.1	4.7
	7.0	1.53	3.5	1000	47.8	2.21	39.1	115.7	6.34	6.2	1350	49.5	2.17	41.0	106.0	6.68	5.7	4.0	0.42	1.03	2.4	700	21.1	17.1	0.81	1.80	27.2	11.7	5.0
	9.0	1.99	4.6	1000	49.3	2.24	40.5	117.2	6.45	6.9	1350	51.4	2.29	43.6	109.9	6.58	7.9	4.0	0.42	1.03	2.4	700	21.8	19.0	0.87	1.83	28.0	11.9	4.9
110	5.0	0.62	1.4	1000	44.9	2.11	36.7	112.9	6.23	5.9	1350	46.5	2.08	38.4	103.8	6.55	5.4	4.0	0.40	0.9	0.9	700	21.5	16.3	0.76	2.09	26.0	10.3	5.7
	7.0	1.59	3.7	1000	47.8	2.21	39.1	115.7	6.34	6.2	1350	49.5	2.17	41.0	106.0	6.68	5.7	4.0	0.40	0.99	2.3	700	22.4	16.5	0.74	2.07	26.6	10.8	5.9
	9.0	2.07	4.8	1000	49.3	2.24	40.5	117.2	6.45	6.9	1350	51.4	2.29	43.6	109.9	6.58	7.9	4.0	0.40	0.99	2.3	700	23.0	18.3	0.80	2.08	27.2	11.0	5.9
120	5.0	0.58	1.3	1000	44.9	2.11	36.7	112.9	6.23	5.9	1350	46.5	2.08	38.4	103.8	6.55	5.4	4.0	0.39	0.9	0.9	700	19.1	15.9	0.83	2.48	25.2	7.7	6.9
	7.0	1.53	3.5	1000	47.8	2.21	39.1	115.7	6.34	6.2	1350	49.5	2.17	41.0	106.0	6.68	5.7	4.0	0.39	0.95	2.2	700	19.3	16.1	0.83	2.34	24.9	8.3	7.2
	9.0	1.99	4.6	1000	49.3	2.24	40.5	117.2	6.45	6.9	1350	51.4	2.29	43.6	109.9	6.58	7.9	4.0	0.39	0.95	2.2	700	19.5	16.1	0.82	2.20	24.8	8.6	7.5

Performance capacities shown in thousands of Btuh.

6/13/24

WaterFurnace works continually to improve its products. As a result, the design and specifications of each product at the time of order may be changed without notice. Please contact WaterFurnace at 1-888-929-2837 for latest design and specifications. Purchaser's approval of this data set signifies that the equipment is acceptable under the provisions of the job specification. Statements and other information contained herein are not express warranties and do not form the basis of any bargain between the parties, but are merely WaterFurnace's opinion or commendation of its products. The latest version of this document is available at www.waterfurnace.com.

Contractor: _____ P.O.: _____

Engineer: _____

Project Name: _____ Unit Tag: _____

7 Series 700A11
3-6 Ton 60Hz



Performance Data

036 - 50% Part Load

EWT °F	Flow gpm	WPD		HEATING - EAT 70°F								EWT °F	Flow gpm	WPD		COOLING - EAT 80/67 °F								
		PSI	FT	Airflow cfm	HC MBtuh	Power kW	HE MBtuh	LAT °F	COP	HWC MBtuh	Airflow cfm			TC MBtuh	SC MBtuh	S/T Ratio	Power kW	HR MBtuh	EER	HWC MBtuh				
20	3.0	0.30	0.7	Operation not recommended								20	2.5	0.15	0.4	Operation not recommended								
	4.5	0.70	1.6	Operation not recommended									3.5	0.46	1.1	Operation not recommended								
	5.5	1.09	2.5	550	12.7	1.36	7.8	91.4	2.74	2.2	750		12.8	1.20	8.5	85.8	3.13	1.8	Operation not recommended					
30	3.0	0.30	0.7	550	13.3	1.13	9.2	92.3	3.44	2.3	30	2.5	0.15	0.3	500	18.3	12.5	0.68	0.57	20.2	32.2	-		
				750	13.8	1.16	9.7	87.1	3.49	2.0					650	18.6	13.7	0.74	0.59	20.7	31.5	-		
	4.5	0.68	1.6	550	13.6	1.14	9.5	92.9	3.51	2.6	3.5	0.45	1.0	500	18.5	12.6	0.68	0.54	20.4	34.3	-			
				750	14.2	1.17	10.0	87.5	3.56	2.2	650			18.8	13.8	0.73	0.57	20.8	33.1	-				
	5.5	1.06	2.4	550	15.0	1.36	10.1	95.3	3.24	2.7	5.0	0.75	1.7	500	18.6	12.6	0.68	0.52	20.4	35.6	-			
				750	15.1	1.09	10.8	88.6	4.05	2.2	650			19.1	13.8	0.72	0.55	21.0	34.7	-				
40	3.0	0.29	0.7	550	15.6	1.15	11.4	96.2	3.97	2.5	40	2.5	0.14	0.3	500	20.4	13.3	0.65	0.51	22.1	39.7	-		
				750	16.1	1.17	11.9	89.9	4.03	2.2					650	20.8	14.5	0.70	0.53	22.6	38.9	-		
	4.5	0.66	1.5	550	16.1	1.15	11.9	97.0	4.09	2.8	3.5	0.44	1.0	500	20.6	13.4	0.65	0.49	22.3	42.3	-			
				750	16.6	1.17	12.4	90.5	4.15	2.3	650			21.0	14.7	0.70	0.51	22.8	41.1	-				
	5.5	1.02	2.4	550	16.9	1.18	12.7	98.5	4.20	2.8	5.0	0.73	1.7	500	20.8	13.4	0.65	0.47	22.4	43.9	-			
				750	17.5	1.20	13.2	91.6	4.27	2.4	650			21.3	14.7	0.69	0.50	22.9	42.9	-				
50	3.0	0.28	0.6	550	17.8	1.16	13.7	100.0	4.49	2.8	50	2.5	0.14	0.3	500	22.2	13.6	0.61	0.45	23.7	49.7	-		
				750	18.4	1.18	14.2	92.7	4.57	2.3					650	22.8	15.0	0.66	0.46	24.4	50.1	-		
	4.5	0.64	1.5	550	18.5	1.17	14.3	101.1	4.64	3.0	3.5	0.42	1.0	500	22.4	13.7	0.61	0.44	23.9	51.4	-			
				750	19.0	1.18	14.8	93.5	4.73	2.5	650			23.0	15.1	0.66	0.44	24.5	51.9	-				
	5.5	0.99	2.3	550	19.3	1.19	15.0	102.5	4.75	3.1	5.0	0.70	1.6	500	22.8	14.0	0.62	0.43	24.2	52.7	-			
				750	19.9	1.21	15.6	94.6	4.83	2.8	650			23.4	15.5	0.66	0.44	24.9	53.2	-				
60	3.0	0.27	0.6	550	20.2	1.18	16.0	104.0	5.02	3.0	60	2.5	0.13	0.3	500	20.0	13.4	0.67	0.59	22.0	34.0	1.0		
				750	20.7	1.19	16.4	95.6	5.10	2.5					650	20.6	14.8	0.72	0.60	22.6	34.3	1.0		
	4.5	0.62	1.4	550	21.0	1.18	16.8	105.4	5.23	3.2	3.5	0.41	0.9	500	20.2	13.5	0.67	0.57	22.2	35.2	1.1			
				750	21.5	1.19	17.3	96.6	5.32	2.7	650			20.8	14.9	0.72	0.59	22.8	35.5	1.1				
	5.5	0.96	2.2	550	21.8	1.21	17.4	106.6	5.29	3.3	5.0	0.68	1.6	500	20.5	13.8	0.67	0.57	22.5	36.1	1.2			
				750	22.3	1.21	17.9	97.5	5.38	2.8	650			21.1	15.3	0.73	0.58	23.1	36.4	1.2				
70	3.0	0.26	0.6	550	22.6	1.20	18.3	108.0	5.53	3.2	70	2.5	0.13	0.3	500	17.8	13.2	0.74	0.73	20.3	24.4	1.3		
				750	22.9	1.21	18.6	98.3	5.56	2.6					650	18.6	14.9	0.80	0.86	21.5	21.6	1.3		
	4.5	0.60	1.4	550	23.6	1.19	19.3	109.7	5.79	3.4	3.5	0.40	0.9	500	18.0	13.3	0.74	0.71	20.4	25.3	1.4			
				750	24.0	1.19	19.7	99.6	5.90	2.9	650			18.5	14.7	0.80	0.73	21.0	25.5	1.4				
	5.5	0.93	2.1	550	24.2	1.22	19.8	110.7	5.82	3.5	5.0	0.66	1.5	500	18.3	13.6	0.75	0.71	20.7	25.9	1.5			
				750	24.6	1.12	20.2	100.4	6.43	2.9	650			18.8	15.1	0.80	0.72	21.3	26.1	1.5				
80	3.0	0.25	0.6	550	24.8	1.22	20.4	111.8	5.97	3.4	80	2.5	0.13	0.3	500	16.7	12.3	0.73	0.90	19.8	18.6	1.9		
				750	25.2	1.21	20.8	101.1	6.08	2.8					650	17.2	13.6	0.79	0.92	20.3	18.7	2.0		
	4.5	0.57	1.3	550	26.0	1.21	21.7	113.8	6.29	3.6	3.5	0.38	0.9	500	16.8	12.3	0.73	0.88	19.8	19.2	2.1			
				750	26.3	1.20	22.0	102.5	6.42	3.0	650			17.3	13.7	0.79	0.89	20.4	19.4	2.1				
	5.5	0.90	2.1	550	26.4	1.24	21.9	114.4	6.25	3.8	5.0	0.64	1.5	500	17.1	12.6	0.74	0.87	20.1	19.7	2.2			
				750	26.7	1.23	22.2	102.9	6.37	3.2	650			17.6	14.0	0.80	0.89	20.6	19.9	2.5				
90	3.0	0.24	0.6	550	27.1	1.24	22.6	115.5	6.39	3.6	90	2.5	0.12	0.3	500	15.6	11.3	0.73	1.07	19.2	14.6	2.6		
				750	27.3	1.23	22.9	103.7	6.52	2.9					650	16.0	12.5	0.78	1.09	19.7	14.7	2.6		
	4.5	0.55	1.3	550	28.4	1.23	24.0	117.9	6.78	3.8	3.5	0.37	0.9	500	15.7	11.4	0.72	1.04	19.2	15.1	2.7			
				750	28.6	1.21	24.3	105.3	6.92	3.2	650			16.1	12.6	0.78	1.06	19.7	15.2	2.7				
	5.5	0.87	2.0	550	28.6	1.25	24.1	118.1	6.67	4.1	5.0	0.61	1.4	500	16.7	12.0	0.72	1.06	20.3	15.8	2.8			
				750	28.7	1.14	24.3	105.4	7.38	3.4	650			16.4	12.9	0.79	1.05	20.0	15.6	2.8				
100	3.0	0.23	0.5	Operation not recommended								100	2.5	0.12	0.3	500	14.5	10.9	0.75	1.29	18.9	11.2	3.1	
				650	14.9	12.0	0.81	1.32	19.4	11.3	3.1													
	4.5	0.53	1.2	Operation not recommended								100	3.5	0.35	0.8	500	14.6	10.9	0.75	1.26	18.9	11.7	3.2	
				650	15.1	12.1	0.80	1.28	19.4	11.7	3.2													
	5.5	0.84	1.9	Operation not recommended								100	5.0	0.59	1.4	500	14.9	11.2	0.75	1.25	19.1	11.9	3.3	
				650	15.3	12.4	0.81	1.27	19.6	12.0	3.3													
110	3.0	0.22	0.5	Operation not recommended								110	2.5	0.11	0.3	500	13.5	10.4	0.77	1.51	18.6	8.9	3.0	
				650	13.8	11.5	0.83	1.54	19.1	9.0	3.0													
	4.5	0.51	1.2	Operation not recommended								110	3.5	0.34	0.8	500	13.6	10.5	0.77	1.47	18.6	9.2	3.3	
				650	14.0	11.6	0.83	1.50	19.1	9.3	3.2													
	5.5	0.80	1.9	Operation not recommended								110	5.0	0.57	1.3	500	13.8	10.8	0.78	1.46	18.8	9.5	3.4	
				650	14.2	11.9	0.84	1.49	19.3	9.5	3.4													
120	3.0	0.22	0.5	Operation not recommended								120	2.5	0.11	0.2	500	12.6	10.6	0.84	1.93	19.1	6.5	4.3	
				650	12.8	11.6	0.90	1.97	19.6	6.5	4.4													
	4.5	0.49	1.1	Operation not recommended								120	3.5	0.33	0.8	500	12.7	10.7	0.84	1.82	18.9	7.0	4.4	
				650	12.9	11.6	0.90	1.87	19.3	6.9	4.4													
	5.5	0.77	1.8	Operation not recommended								120	5.0	0.55	1.3	500	12.8	10.7	0.83	1.76	18.8	7.3	4.6	
				650	13.1	11.6	0.89	1.82	19.3	7.2	4.6													

Performance capacities shown in thousands of Btuh.

6/13/24

WaterFurnace works continually to improve its products. As a result, the design and specifications of each product at the time of order may be changed without notice. Please contact WaterFurnace at 1-888-929-2837 for latest design and specifications. Purchaser's approval of this data set signifies that the equipment is acceptable under the provisions of the job specification. Statements and other information contained herein are not express warranties and do not form the basis of any bargain between the parties, but are merely WaterFurnace's opinion or commendation of its products. The latest version of this document is available at www.waterfurnace.com.

Contractor: _____ P.O.: _____

Engineer: _____

Project Name: _____ Unit Tag: _____

7 Series 700A11
3-6 Ton 60Hz



Performance Data cont.

036 - 100% Full Load

EWT °F	Flow gpm	WPD		HEATING - EAT 70°F								EWT °F	Flow gpm	WPD		COOLING - EAT 80/67 °F								
		PSI	FT	Airflow cfm	HC MBtuh	Power kW	HE MBtuh	LAT °F	COP	HWC MBtuh	PSI			FT	Airflow cfm	TC MBtuh	SC MBtuh	S/T Ratio	Power kW	HR MBtuh	EER	HWC MBtuh		
20	5.5	1.09	2.5	Operation not recommended								20	4.5	0.70	1.6	Operation not recommended								
	8.0	2.69	6.2	Operation not recommended									7.0	1.70	3.9	Operation not recommended								
	11.5	3.51	8.1	1150	28.0	2.86	17.8	92.6	2.88	4.7	1500		28.9	2.76	19.0	87.8	3.06	4.3						
30	5.5	1.06	2.5	1150	31.4	2.63	21.9	95.3	3.50	5.2	30	4.5	0.68	1.6	1000	35.7	24.3	0.68	0.99	38.6	36.1	-		
				1500	32.3	2.73	22.5	90.0	3.47	4.8					1300	36.3	26.7	0.73	1.03	39.4	35.3	-		
	8.0	2.61	6.0	1150	32.2	2.67	22.6	95.9	3.53	5.3	7.0	1.65	3.8	1000	36.2	24.5	0.68	0.94	38.9	38.4	-			
				1500	33.1	2.76	23.2	90.5	3.52	4.8	1300	36.7	26.8	0.73	0.99	39.7	37.1	-						
	11.5	3.41	7.9	1150	32.8	2.88	22.5	96.4	3.34	5.4	9.0	2.73	6.3	1000	36.3	24.5	0.68	0.91	39.0	39.8	-			
				1500	33.8	2.48	23.8	90.9	4.00	5.0	1300	37.2	26.8	0.72	0.96	40.1	38.9	-						
40	5.5	1.02	2.4	1150	36.3	2.68	26.7	99.2	3.97	5.6	40	4.5	0.66	1.5	1000	37.7	26.2	0.70	1.19	41.3	31.8	-		
				1500	37.4	2.74	27.5	93.1	3.99	5.0					1300	38.5	28.7	0.75	1.24	42.2	31.1	-		
	8.0	2.53	5.9	1150	37.4	2.73	27.6	100.1	4.02	5.8	7.0	1.60	3.7	1000	38.2	26.5	0.69	1.13	41.6	33.9	-			
				1500	38.6	2.79	28.6	93.8	4.05	5.1	1300	38.9	28.9	0.74	1.18	42.5	32.9	-						
	11.5	3.31	7.6	1150	38.2	2.76	28.3	100.7	4.06	5.9	9.0	2.65	6.1	1000	38.5	26.5	0.69	1.09	41.7	35.2	-			
				1500	39.4	2.82	29.3	94.3	4.10	5.2	1300	39.3	28.9	0.74	1.14	42.8	34.4	-						
50	5.5	0.99	2.3	1150	41.2	2.73	31.4	103.1	4.43	6.0	50	4.5	0.64	1.5	1000	38.1	25.8	0.68	1.38	42.4	27.7	-		
				1500	42.4	2.76	32.5	96.2	4.50	5.6					1300	40.1	28.7	0.72	1.45	44.6	27.7	-		
	8.0	2.46	5.7	1150	42.7	2.79	32.7	104.4	4.49	6.5	7.0	1.55	3.6	1000	39.0	26.2	0.67	1.30	42.9	30.0	-			
				1500	44.0	2.83	33.9	97.2	4.57	5.7	1300	41.0	29.0	0.71	1.36	45.1	30.1	-						
	11.5	3.20	7.4	1150	43.6	2.81	33.5	105.1	4.55	6.6	9.0	2.56	5.9	1000	39.3	27.9	0.71	1.27	43.2	31.1	-			
				1500	45.0	2.85	34.8	97.8	4.63	6.8	1300	41.5	32.2	0.78	1.32	45.0	31.4	-						
60	5.5	0.93	2.2	1150	45.2	2.74	35.4	106.4	4.83	6.1	60	4.5	0.62	1.4	1000	36.6	26.0	0.71	1.58	41.6	23.2	1.9		
				1500	46.7	2.76	36.8	98.8	4.95	5.7					1300	38.4	28.9	0.75	1.65	43.6	23.3	2.0		
	8.0	2.38	5.5	1150	47.3	2.82	37.1	108.0	4.91	6.7	7.0	1.50	3.5	1000	37.5	26.3	0.70	1.50	42.2	25.0	2.1			
				1500	48.8	2.84	38.6	100.1	5.03	5.8	1300	39.3	29.1	0.74	1.56	44.1	25.1	2.1						
	11.5	3.10	7.2	1150	48.4	2.85	38.2	109.0	4.97	6.9	9.0	2.48	5.7	1000	37.9	27.7	0.73	1.46	42.4	25.9	2.0			
				1500	50.0	2.86	39.7	100.9	5.12	6.0	1300	39.7	30.7	0.77	1.53	44.5	26.0	2.2						
70	5.5	0.90	2.1	1150	49.3	2.76	39.4	109.7	5.23	6.6	70	4.5	0.60	1.4	1000	35.1	26.1	0.74	1.98	41.4	17.8	2.7		
				1500	51.0	2.87	40.7	101.5	5.21	6.2					1300	37.2	30.1	0.81	1.97	43.4	18.9	2.9		
	8.0	2.30	5.3	1150	51.9	2.86	41.6	111.8	5.32	6.9	7.0	1.45	3.4	1000	36.0	26.4	0.73	1.70	41.4	21.1	3.1			
				1500	53.5	2.86	43.3	103.1	5.50	6.4	1300	37.6	29.2	0.78	1.76	43.1	21.3	3.1						
	11.5	3.00	6.9	1150	53.2	2.89	42.8	112.8	5.39	7.6	9.0	2.40	5.5	1000	36.4	27.4	0.75	1.66	41.6	21.9	3.2			
				1500	55.0	2.88	44.7	104.0	5.60	6.6	1300	37.3	29.8	0.80	1.68	43.0	22.2	3.3						
80	5.5	0.87	0.1	1150	52.7	2.82	42.6	112.5	5.49	7.2	80	4.5	0.57	1.3	1000	33.5	25.8	0.77	2.06	40.1	16.3	4.0		
				1500	54.6	2.79	44.5	103.7	5.73	6.1					1300	34.9	28.7	0.82	2.12	41.6	16.4	4.0		
	8.0	2.22	5.1	1150	55.8	2.93	45.3	114.9	5.59	7.5	7.0	1.40	3.2	1000	34.5	26.1	0.76	1.99	40.8	17.4	4.2			
				1500	57.7	2.90	47.3	105.6	5.83	6.3	1300	35.8	29.0	0.81	2.04	42.3	17.5	4.2						
	11.5	2.90	6.7	1150	57.4	2.97	46.7	116.2	5.67	7.7	9.0	2.32	5.4	1000	34.8	26.8	0.77	1.94	41.0	17.9	4.4			
				1500	59.4	2.92	48.9	106.6	5.95	7.2	1300	36.3	29.7	0.82	2.00	42.6	18.1	4.4						
90	5.5	0.84	1.9	1150	56.2	2.87	45.9	115.2	5.74	7.4	90	4.5	0.55	1.3	1000	31.9	25.6	0.80	2.33	39.4	13.7	5.3		
				1500	58.2	2.82	48.0	105.9	6.04	6.7					1300	33.1	28.4	0.86	2.39	40.7	13.8	5.3		
	8.0	2.14	5.0	1150	59.7	3.00	48.9	118.1	5.84	7.8	7.0	1.35	3.1	1000	32.9	25.9	0.79	2.27	40.1	14.5	5.6			
				1500	61.8	2.94	51.2	108.2	6.16	7.2	1300	34.1	28.8	0.84	2.32	41.5	14.7	5.6						
	11.5	2.79	6.5	1150	61.6	3.04	50.7	119.6	5.94	8.6	9.0	2.24	5.2	1000	33.5	25.4	0.76	2.24	40.6	15.0	5.9			
				1500	63.7	3.02	53.1	109.3	6.18	7.9	1300	34.5	29.0	0.84	2.28	41.8	15.1	5.6						
100	5.5	0.80	1.8	Operation not recommended								100	4.5	0.53	1.2	1000	29.7	24.7	0.83	2.70	38.4	11.0	6.8	
	8.0	2.07	4.8	Operation not recommended									7.0	1.30	3.0	1000	30.7	25.0	0.81	2.65	39.3	11.6	7.1	
	11.5	2.69	6.2	Operation not recommended									9.0	2.16	5.0	1000	31.0	24.9	0.80	2.61	39.4	11.9	7.5	
110	5.5	0.77	1.8	Operation not recommended								110	4.5	0.51	1.2	1000	27.4	23.8	0.87	3.07	37.4	8.9	8.1	
				1300	28.2	26.3	0.93	3.11	38.3	9.1	8.0													
	8.0	1.99	4.6	Operation not recommended								7.0	1.25	2.9	1000	28.5	24.0	0.84	3.04	38.4	9.4	8.5		
				1300	29.3	26.6	0.91	3.06	39.2	9.6	8.5													
	11.5	2.59	6.0	Operation not recommended								9.0	2.07	4.8	1000	28.8	23.7	0.82	2.99	38.5	9.6	8.9		
				1300	29.6	26.1	0.88	3.02	39.4	9.8	8.1													
120	5.5	0.73	1.7	Operation not recommended								120	4.5	0.49	0.8	1000	24.4	23.2	0.95	3.65	36.3	6.7	9.9	
				1300	24.9	25.3	1.02	3.73	37.1	6.7	10.2													
	8.0	1.91	4.4	Operation not recommended								7.0	1.20	2.8	1000	24.7	23.4	0.95	3.45	35.9	7.2	10.3		
				1300	25.1	25.4	1.01	3.54	36.7	7.1	10.5													
	11.5	2.49	5.8	Operation not recommended								9.0	1.99	4.6	1000	24.9	23.4	0.94	3.34	35.8	7.5	10.7		
				1300	25.4	25.4	1.00	3.44	36.7	7.4	10.7													

Performance capacities shown in thousands of Btu/h.

11/2/20

WaterFurnace works continually to improve its products. As a result, the design and specifications of each product at the time of order may be changed without notice. Please contact WaterFurnace at 1-888-929-2837 for latest design and specifications. Purchaser's approval of this data set signifies that the equipment is acceptable under the provisions of the job specification. Statements and other information contained herein are not express warranties and do not form the basis of any bargain between the parties, but are merely WaterFurnace's opinion or commendation of its products. The latest version of this document is available at www.waterfurnace.com.

Contractor: _____ P.O.: _____

Engineer: _____

Project Name: _____ Unit Tag: _____

**7 Series 700A11
3-6 Ton 60Hz**



Performance Data cont.

048 - 50% Part Load

EWT °F	Flow gpm	WPD		HEATING - EAT 70°F							EWT °F	Flow gpm	WPD		COOLING - EAT 80/67 °F											
		PSI	FT	Airflow cfm	HC mBtuh	Power kW	HE MBtuh	LAT °F	COP	HWC MBtuh			PSI	FT	Airflow cfm	TC MBtuh	SC MBtuh	S/T Ratio	Power kW	HR MBtuh	EER	HWC MBtuh				
20	3.5	0.56	1.3	Operation not recommended							20	3.0	0.47	1.1	Operation not recommended											
	5.0	0.97	2.2	Operation not recommended								4.5	0.81	1.9	Operation not recommended											
	6.5	1.37	3.2	650	16.5	1.72	10.7	95.4	2.82	2.4		900	16.9	1.55	11.7	89.1	3.19	3.1	6.0	1.16	2.7	Operation not recommended				
30	3.5	0.55	1.3	650	16.7	1.48	11.8	95.7	3.32	2.7	30	3.0	0.45	1.1	500	22.7	13.7	0.61	0.54	24.8	42.0	-				
				900	17.3	1.50	12.3	89.6	3.38	2.4					750	23.1	15.1	0.65	0.56	25.3	41.1	-				
	5.0	0.94	2.2	650	18.1	1.55	13.0	97.7	3.43	3.0		4.5	0.79	1.8	500	23.0	13.8	0.60	0.51	25.0	44.8	-				
				900	18.6	1.56	13.5	91.0	3.51	2.6		750			23.3	15.1	0.65	0.54	25.5	43.2	-					
	6.5	1.33	3.1	650	18.8	1.75	13.0	98.7	3.15	3.1		6.0	1.12	2.6	500	23.1	13.8	0.60	0.50	25.1	46.4	-				
				900	19.2	1.34	14.7	91.3	4.19	2.6		750			23.7	15.1	0.64	0.52	25.7	45.3	-					
40	3.5	0.53	1.2	650	19.8	1.51	14.9	100.2	3.84	3.0	40	3.0	0.44	1.0	500	25.6	17.5	0.68	0.46	27.5	55.3	-				
				900	20.5	1.52	15.5	92.9	3.94	2.6					750	26.1	19.2	0.73	0.48	28.0	54.1	-				
	5.0	0.91	2.1	650	21.4	1.57	16.3	102.5	3.99	3.3		4.5	0.77	1.8	500	25.9	17.7	0.68	0.44	27.7	58.9	-				
				900	22.1	1.57	17.1	94.6	4.13	2.8		750			26.4	19.3	0.73	0.46	28.3	57.2	-					
	6.5	1.29	3.0	650	22.1	1.58	17.0	103.5	4.09	3.4		6.0	1.09	2.5	500	26.1	17.7	0.68	0.43	27.9	61.2	-				
				900	22.9	1.59	17.7	95.4	4.20	2.8		750			26.7	19.3	0.72	0.45	28.5	59.8	-					
50	3.5	0.51	1.2	650	22.9	1.55	18.0	104.7	4.34	3.3	50	3.0	0.43	1.0	500	24.5	15.8	0.65	0.64	27.0	38.1	-				
				900	23.7	1.55	18.8	96.2	4.48	2.8					750	25.3	18.6	0.74	0.67	27.8	37.7	-				
	5.0	0.88	2.0	650	24.7	1.60	19.7	107.3	4.53	3.6		4.5	0.74	1.7	500	25.0	15.9	0.64	0.56	27.2	45.0	-				
				900	25.7	1.59	20.7	98.3	4.74	3.0		750			25.8	18.7	0.73	0.58	28.1	44.2	-					
	6.5	1.25	2.9	650	25.7	1.61	20.6	108.7	4.68	3.8		6.0	1.06	2.4	500	25.2	15.9	0.63	0.52	27.2	48.0	-				
				900	26.5	1.61	21.5	99.2	4.83	3.3		750			21.3	17.0	0.80	0.41	24.3	52.1	-					
60	3.5	0.50	1.1	650	25.7	1.61	20.7	108.8	4.70	3.7	60	3.0	0.41	1.0	500	23.5	15.4	0.66	0.79	26.5	29.8	1.2				
				900	26.7	1.60	21.7	99.4	4.90	3.0					750	24.2	18.2	0.75	0.82	27.3	29.5	1.2				
	5.0	0.85	2.0	650	27.8	1.65	22.7	111.8	4.96	3.9		4.5	0.72	1.7	500	23.9	15.5	0.65	0.70	26.5	34.2	1.3				
				900	28.9	1.63	23.9	101.7	5.21	3.3		750			24.6	18.3	0.74	0.73	27.4	33.6	1.3					
	6.5	1.21	2.8	650	29.0	1.66	23.9	113.6	5.12	4.1		6.0	1.02	2.4	500	24.2	15.6	0.65	0.66	26.7	36.4	1.4				
				900	30.1	1.64	25.1	102.9	5.37	3.5		750			24.9	18.3	0.74	0.69	27.5	35.9	1.4					
70	3.5	0.48	1.1	650	28.5	1.66	23.4	112.9	5.03	4.0	70	3.0	0.40	0.9	500	22.5	15.0	0.67	0.93	25.9	24.2	1.7				
				900	31.1	1.66	26.1	104.0	5.48	3.3					750	23.4	17.8	0.76	0.98	27.0	23.9	1.8				
	5.0	0.83	1.9	650	31.0	1.69	25.8	116.4	5.36	4.3		4.5	0.70	1.6	500	22.7	15.2	0.67	0.84	25.9	27.0	1.9				
				900	32.2	1.66	27.2	105.2	5.67	3.6		750			23.5	17.9	0.76	0.88	26.7	26.7	1.9					
	6.5	1.17	2.7	650	32.4	1.71	27.2	118.5	5.54	4.5		6.0	0.99	2.3	500	23.1	15.3	0.66	0.80	26.2	28.7	1.9				
				900	33.6	1.71	28.1	108.9	5.76	3.7		750			23.8	17.9	0.75	0.84	27.0	28.5	2.0					
80	3.5	0.46	1.1	650	30.5	1.75	25.1	115.7	5.09	4.2	80	3.0	0.39	0.9	500	21.4	14.5	0.68	1.10	25.4	19.5	2.5				
				900	31.6	1.72	26.4	104.6	5.38	3.5					750	22.1	17.1	0.77	1.15	26.3	19.3	2.5				
	5.0	0.80	1.8	650	33.1	1.77	27.7	119.5	5.47	4.5		4.5	0.67	1.6	500	21.5	14.7	0.68	1.02	25.3	21.1	2.6				
				900	34.4	1.73	29.3	107.5	5.83	3.8		750			22.2	17.3	0.78	1.06	26.1	20.9	2.7					
	6.5	1.13	2.6	650	34.8	1.79	29.4	121.9	5.68	4.8		6.0	0.96	2.2	500	22.0	14.8	0.67	0.98	25.6	22.6	2.8				
				900	36.2	1.74	31.0	109.3	6.08	4.0		750			22.7	17.4	0.77	1.02	26.4	22.3	3.2					
90	3.5	0.45	1.0	650	32.4	1.84	26.7	118.4	5.15	4.5	90	3.0	0.37	0.9	500	20.3	14.0	0.69	1.26	24.9	16.1	3.4				
				900	33.6	1.80	28.2	106.7	5.47	3.7					750	21.0	16.5	0.79	1.31	25.7	16.0	3.4				
	5.0	0.77	1.8	650	35.2	1.85	29.6	122.5	5.56	4.8		4.5	0.65	1.5	500	20.3	14.2	0.70	1.20	24.7	17.0	3.5				
				900	36.7	1.79	31.4	109.9	5.99	4.0		750			20.9	16.7	0.80	1.24	25.4	16.9	3.6					
	6.5	1.09	2.5	650	37.1	1.87	31.6	125.4	5.81	5.2		6.0	0.92	2.1	500	19.5	13.4	0.69	1.21	23.8	16.1	3.7				
				900	38.7	1.69	36.4	112.5	6.70	4.3		750			20.1	16.9	0.84	1.27	26.1	15.8	3.7					
100	3.5	0.43	1.0	Operation not recommended							100	3.0	0.36	0.8	500	18.4	12.9	0.70	1.48	23.7	12.4	4.3				
	5.0	0.74	1.7	Operation not recommended								4.5	0.62	1.4	750	18.9	15.1	0.80	1.54	24.4	12.3	4.3				
	6.5	1.05	2.4	Operation not recommended								6.0	0.89	2.1	500	18.2	13.0	0.71	1.44	23.4	12.7	4.4				
110	3.5	0.41	1.0	Operation not recommended							110	3.0	0.35	0.8	500	16.4	11.7	0.71	1.69	22.4	9.7	5.0				
	5.0	0.71	1.6	Operation not recommended								4.5	0.60	1.4	750	16.8	13.7	0.82	1.76	23.1	9.6	5.0				
	6.5	1.01	2.3	Operation not recommended								6.0	0.86	2.0	500	16.1	11.8	0.73	1.68	22.1	9.6	5.4				
120	3.5	0.40	0.9	Operation not recommended							120	3.0	0.33	0.8	500	15.2	12.4	0.82	2.10	22.6	7.2	6.4				
	5.0	0.68	1.6	Operation not recommended								4.5	0.58	1.3	750	15.5	13.5	0.87	2.15	23.1	7.2	6.5				
	6.5	0.97	2.2	Operation not recommended								6.0	0.82	1.9	500	15.4	12.5	0.81	1.99	22.4	7.7	6.6				
				Operation not recommended											750	15.7	13.6	0.87	2.04	22.9	7.7	6.6				
				Operation not recommended											500	15.5	12.5	0.81	1.92	22.3	8.1	6.8				
				Operation not recommended											750	15.9	14.8	0.94	1.98	23.0	8.0	6.8				

Performance capacities shown in thousands of Btuh.

6/13/24

WaterFurnace works continually to improve its products. As a result, the design and specifications of each product at the time of order may be changed without notice. Please contact WaterFurnace at 1-888-929-2837 for latest design and specifications. Purchaser's approval of this data set signifies that the equipment is acceptable under the provisions of the job specification. Statements and other information contained herein are not express warranties and do not form the basis of any bargain between the parties, but are merely WaterFurnace's opinion or commendation of its products. The latest version of this document is available at www.waterfurnace.com.

Contractor: _____ P.O.: _____

Engineer: _____

Project Name: _____ Unit Tag: _____

7 Series 700A11
3-6 Ton 60Hz



Performance Data cont.

048 - 100% Full Load

EWT °F	Flow gpm	WPD		HEATING - EAT 70°F							EWT °F	Flow gpm	WPD		COOLING - EAT 80/67 °F							
		PSI	FT	Airflow cfm	HC mBtuh	Power kW	HE MBtuh	LAT °F	COP	HWC MBtuh			PSI	FT	Airflow cfm	TC MBtuh	SC MBtuh	S/T Ratio	Power kW	HR MBtuh	EER	HWC MBtuh
20	6.5	1.40	3.2	Operation not recommended							20	5.5	1.05	2.4	Operation not recommended							
	10.0	2.85	6.6	Operation not recommended								8.0	2.00	4.6	Operation not recommended							
	13.5	4.79	11.1	1500	37.5	3.85	24.3	92.5	2.86	6.05		1800	37.7	3.77	24.8	88.6	2.93	5.6				
30	6.5	1.36	3.2	1500	37.9	3.65	25.4	92.7	3.04	6.6	30	5.5	1.02	2.4	1000	42.8	28.0	0.65	1.32	46.9	32.5	-
	10.0	2.77	6.4	1800	39.1	3.70	26.5	89.4	3.10	6.1		8.0	1.94	4.5	1400	43.6	30.8	0.70	1.37	47.9	31.8	-
	13.5	4.65	10.7	1500	40.9	3.81	27.9	94.6	3.14	6.8		10.5	2.85	6.6	1000	43.4	28.3	0.65	1.25	47.3	34.6	-
40	6.5	1.32	3.1	1500	43.2	3.80	30.2	96.1	3.33	7.0	40	5.5	0.99	2.3	1000	44.7	30.9	0.69	1.28	48.7	35.0	-
	10.0	2.69	6.2	1800	44.6	3.82	31.5	92.3	3.42	6.2		8.0	1.88	4.3	1400	44.1	30.9	0.70	1.32	48.2	33.4	-
	13.5	4.51	10.4	1500	46.6	3.94	33.1	98.3	3.46	7.3		10.5	2.77	6.4	1000	45.2	29.2	0.65	1.49	49.8	30.4	-
50	6.5	1.28	3.0	1500	48.2	3.94	34.8	94.2	3.58	6.4	50	5.5	0.96	2.2	1000	46.0	31.9	0.69	1.56	50.9	29.6	-
	10.0	2.60	6.0	1800	48.1	3.97	34.6	99.2	3.55	7.5		8.0	1.82	4.2	1400	46.6	31.9	0.69	1.51	51.2	30.9	-
	13.5	4.37	10.1	1500	49.7	3.99	36.1	95.0	3.65	6.5		10.5	2.68	6.2	1000	45.7	27.8	0.61	2.03	52.0	22.5	-
60	6.5	1.24	2.9	1500	50.0	3.94	36.6	95.2	3.72	7.0	60	5.5	0.93	2.2	1000	47.0	27.9	0.59	1.65	52.1	28.4	-
	10.0	2.52	5.8	1800	52.3	4.07	38.4	101.9	3.77	8.2		8.0	1.76	4.1	1400	48.1	32.9	0.68	1.84	53.8	26.1	-
	13.5	4.23	9.8	1500	54.3	4.04	40.5	97.4	3.93	7.2		10.5	2.60	6.0	1000	47.0	27.9	0.59	1.65	52.1	28.4	-
70	6.5	1.20	2.8	1500	56.1	4.09	42.1	98.3	4.01	8.6	70	5.5	0.90	2.1	1000	48.4	32.9	0.68	1.73	53.8	28.0	-
	10.0	2.44	5.6	1800	54.2	4.10	40.2	103.1	3.87	7.6		8.0	1.71	3.9	1400	43.9	27.2	0.62	2.26	50.9	19.4	2.6
	13.5	4.09	9.5	1500	58.7	4.20	44.3	106.0	4.09	8.4		10.5	2.51	5.8	1000	45.2	32.1	0.71	2.36	52.6	19.1	2.8
80	6.5	1.16	2.7	1800	60.9	4.15	46.8	100.9	4.30	7.2	80	5.5	0.87	2.0	1000	44.6	27.4	0.62	2.01	50.8	22.2	2.9
	10.0	2.35	5.4	1500	61.1	4.24	46.7	107.5	4.23	8.6		8.0	1.65	3.8	1400	45.9	32.3	0.70	2.10	52.5	21.9	2.9
	13.5	3.95	9.1	1800	63.3	4.19	49.0	102.2	4.43	7.4		10.5	2.42	5.6	1000	45.1	27.5	0.61	1.91	51.0	23.6	2.8
90	6.5	1.12	2.6	1500	60.0	4.26	45.4	106.8	4.13	8.1	90	5.5	0.84	1.9	1000	46.5	32.4	0.70	1.99	52.6	23.3	3.0
	10.0	2.27	5.2	1800	60.0	4.26	45.4	106.8	4.13	8.1		8.0	1.59	3.7	1400	42.0	26.7	0.63	2.50	49.7	16.8	3.4
	13.5	3.81	8.8	1500	64.4	4.27	49.9	102.8	4.43	7.5		10.5	2.34	5.4	1000	43.7	31.7	0.73	2.50	51.4	17.5	3.7
100	6.5	1.08	2.5	1500	65.1	4.33	50.3	110.0	4.40	8.6	100	5.5	0.81	1.9	1000	42.4	26.9	0.63	2.26	49.5	18.8	3.9
	10.0	2.19	5.1	1800	67.6	4.26	53.1	104.5	4.65	7.9		8.0	1.71	3.9	1400	43.8	31.7	0.72	2.36	51.1	18.5	3.9
	13.5	3.67	8.5	1500	66.5	3.99	52.8	103.9	4.88	8.2		10.5	2.51	5.8	1000	43.2	27.1	0.63	2.16	49.9	20.0	3.9
110	6.5	1.04	2.4	1800	66.5	3.99	52.8	103.9	4.88	8.2	110	5.5	0.78	1.8	1000	44.5	31.8	0.71	2.24	51.5	19.8	4.1
	10.0	2.11	4.9	1500	64.9	4.47	49.7	109.9	4.25	9.0		8.0	1.47	3.4	1400	39.8	25.7	0.65	2.80	48.5	14.2	5.4
	13.5	3.53	8.2	1800	67.4	4.40	52.4	104.4	4.50	7.7		10.5	2.42	5.6	1000	41.0	30.2	0.74	2.92	50.1	14.1	5.4
120	6.5	1.00	2.3	1500	70.5	4.52	55.1	113.5	4.57	9.5	120	5.5	0.75	1.7	1000	40.0	26.0	0.65	2.60	48.1	15.4	5.7
	10.0	2.02	4.7	1800	73.4	4.41	58.3	107.5	4.88	7.9		8.0	1.59	3.7	1400	41.2	30.6	0.74	2.70	49.6	15.2	5.7
	13.5	3.39	7.8	1500	74.1	4.57	58.5	115.8	4.75	9.6		10.5	2.34	5.4	1000	40.9	26.2	0.64	2.49	48.6	16.4	5.9
				1800	81.2	4.36	66.3	111.8	5.46	9.7												

Performance capacities shown in thousands of Btu/h.

6/13/24

WaterFurnace works continually to improve its products. As a result, the design and specifications of each product at the time of order may be changed without notice. Please contact WaterFurnace at 1-888-929-2837 for latest design and specifications. Purchaser's approval of this data set signifies that the equipment is acceptable under the provisions of the job specification. Statements and other information contained herein are not express warranties and do not form the basis of any bargain between the parties, but are merely WaterFurnace's opinion or commendation of its products. The latest version of this document is available at www.waterfurnace.com.

Contractor: _____ P.O.: _____

Engineer: _____

Project Name: _____ Unit Tag: _____

**7 Series 700A11
3-6 Ton 60Hz**



Performance Data cont.

060 - 50% Part Load

EWT °F	Flow gpm	WPD		HEATING - EAT 70°F								EWT °F	Flow gpm	WPD		COOLING - EAT 80/67 °F												
		PSI	FT	Airflow cfm	HC MBtuh	Power kW	HE MBtuh	LAT °F	COP	HWC MBtuh	PSI			FT	Airflow cfm	TC MBtuh	SC MBtuh	S/T Ratio	Power kW	HR MBtuh	EER	HWC MBtuh						
20	4.5	0.63	1.5	Operation not recommended								20	4.0	0.43	1.0	Operation not recommended												
	6.3	1.17	2.7	Operation not recommended									6.0	1.22	2.8	Operation not recommended												
	8.5	1.94	4.5	850	21.0	2.18	13.5	92.9	2.82	3.4	1100		21.4	2.02	14.5	88.0	3.10	3.1	700	29.9	17.4	0.58	0.73	32.8	41.2	-		
30	4.5	0.61	1.4	850	23.8	2.01	16.9	95.9	3.47	3.9	1100	24.6	2.03	17.7	90.7	3.54	3.4	4.0	0.42	1.0	700	30.4	17.6	0.58	0.69	33.1	44.0	-
				850	23.6	2.03	16.7	95.7	3.40	4.1		1100	24.5	2.06	17.4	90.6	3.48				3.5	950	30.8	19.2	0.62	0.73	33.7	42.4
	6.3	1.14	2.6	850	24.8	2.22	17.2	97.0	3.27	4.2	1100	25.3	2.06	18.3	91.3	3.60	3.6	6.0	1.18	2.7	700	30.5	17.6	0.58	0.67	33.1	45.6	-
				850	24.8	2.22	17.2	97.0	3.27	4.2		1100	25.3	2.06	18.3	91.3	3.60				3.6	950	31.3	19.2	0.61	0.70	34.0	44.5
	8.5	1.89	4.4	850	27.5	2.05	20.5	100.0	3.94	4.3	1100	28.4	2.06	21.3	93.9	4.03	3.7	7.5	1.75	4.0	700	30.9	19.9	0.64	0.77	33.9	39.9	-
				850	27.7	2.08	20.6	100.2	3.90	4.5		1100	28.5	2.09	21.4	94.0	4.00				3.8	950	31.5	21.8	0.69	0.81	34.6	39.1
40	4.5	0.60	1.4	850	28.6	2.09	21.5	101.2	4.02	4.7	1100	29.4	2.10	22.3	94.7	4.11	3.9	4.0	0.41	0.9	700	31.3	20.1	0.64	0.73	34.1	42.5	-
				850	28.6	2.09	21.5	101.2	4.02	4.7		1100	29.4	2.10	22.3	94.7	4.11				3.9	950	31.8	21.9	0.69	0.77	34.8	41.3
	6.3	1.10	2.5	850	31.8	2.13	24.5	104.6	4.38	4.9	1100	32.5	2.12	25.3	97.4	4.50	4.1	6.0	1.15	2.6	700	31.5	20.1	0.64	0.71	34.3	44.2	-
				850	31.8	2.13	24.5	104.6	4.38	4.9		1100	32.5	2.12	25.3	97.4	4.50				4.1	950	32.2	21.9	0.68	0.75	35.1	43.2
	8.5	1.83	4.2	850	32.8	2.14	25.5	105.7	4.48	5.2	1100	33.5	2.13	26.2	98.2	4.61	4.6	7.5	1.70	3.9	700	32.0	21.5	0.67	0.80	35.1	40.3	-
				850	32.8	2.14	25.5	105.7	4.48	5.2		1100	33.5	2.13	26.2	98.2	4.61				4.6	950	33.0	24.5	0.74	0.84	36.2	39.3
50	4.5	0.58	1.3	850	31.8	2.13	24.5	104.6	4.38	4.9	1100	32.2	2.09	25.0	97.1	4.51	3.9	4.0	0.40	0.9	700	32.1	21.7	0.68	0.77	35.1	41.9	-
				850	31.8	2.13	24.5	104.6	4.38	4.9		1100	32.2	2.09	25.0	97.1	4.51				3.9	950	33.1	24.6	0.75	0.80	36.2	41.2
	6.3	1.07	2.5	850	32.8	2.14	25.5	105.7	4.48	5.2	1100	33.5	2.13	26.2	98.2	4.61	4.6	6.0	1.11	2.6	700	32.2	21.7	0.67	0.75	35.2	42.8	-
				850	32.8	2.14	25.5	105.7	4.48	5.2		1100	33.5	2.13	26.2	98.2	4.61				4.6	950	32.8	24.4	0.74	0.67	36.1	49.0
	8.5	1.77	4.1	850	35.3	2.13	28.0	108.5	4.86	5.1	1100	36.1	2.11	28.9	100.4	5.01	4.2	7.5	1.64	3.8	700	31.1	21.2	0.68	0.98	34.8	31.8	1.5
				850	35.3	2.13	28.0	108.5	4.86	5.1		1100	36.1	2.11	28.9	100.4	5.01				4.2	950	32.0	24.0	0.75	1.02	35.9	31.3
60	4.5	0.56	1.3	850	36.4	2.17	29.0	109.7	4.92	5.3	1100	37.0	2.14	29.7	101.1	5.07	4.5	4.0	0.38	0.9	700	31.2	21.4	0.69	0.95	34.8	33.0	1.7
				850	36.4	2.17	29.0	109.7	4.92	5.3		1100	37.0	2.14	29.7	101.1	5.07				4.5	950	32.2	24.2	0.75	0.99	35.9	32.5
	6.3	1.03	2.4	850	37.3	2.19	29.8	110.6	5.00	5.6	1100	37.9	2.16	30.5	101.9	5.15	4.7	6.0	1.08	2.5	700	31.4	21.5	0.68	0.93	34.9	33.9	1.8
				850	37.3	2.19	29.8	110.6	5.00	5.6		1100	37.9	2.16	30.5	101.9	5.15				4.7	950	32.3	24.3	0.75	0.97	36.0	33.3
	8.5	1.72	4.0	850	39.3	2.17	31.9	112.8	5.31	5.4	1100	40.2	2.18	34.8	105.5	5.67	5.0	7.5	1.59	3.7	700	30.1	20.9	0.70	1.16	34.4	26.0	2.1
				850	39.3	2.17	31.9	112.8	5.31	5.4		1100	40.2	2.18	34.8	105.5	5.67				5.0	950	31.4	24.0	0.76	1.32	36.2	23.7
70	4.5	0.54	1.2	850	41.0	2.20	33.5	114.6	5.45	5.8	1100	41.4	2.16	34.1	104.9	5.63	4.8	4.0	0.37	0.9	700	30.3	21.1	0.70	1.13	34.5	27.0	2.4
				850	41.0	2.20	33.5	114.6	5.45	5.8		1100	41.4	2.16	34.1	104.9	5.63				4.8	950	31.3	23.8	0.76	1.17	35.6	26.6
	6.3	1.00	2.3	850	41.8	2.23	34.1	115.5	5.49	6.0	1100	42.2	2.18	34.8	105.5	5.67	5.0	6.0	1.04	2.4	700	30.5	21.2	0.70	1.10	34.6	27.7	2.5
				850	41.8	2.23	34.1	115.5	5.49	6.0		1100	42.2	2.18	34.8	105.5	5.67				5.0	950	31.2	23.8	0.76	1.14	35.4	27.4
	8.5	1.66	3.8	850	42.9	2.23	35.3	116.7	5.64	5.8	1100	43.3	2.18	35.8	106.4	5.81	4.8	7.5	1.54	3.6	700	28.4	20.5	0.72	1.38	33.4	20.6	3.1
				850	42.9	2.23	35.3	116.7	5.64	5.8		1100	43.3	2.18	35.8	106.4	5.81				4.8	950	29.3	22.9	0.78	1.42	34.5	20.5
80	4.5	0.52	1.2	850	45.3	2.27	37.6	119.3	5.86	6.2	1100	45.5	2.20	38.0	108.3	6.06	5.1	4.0	0.36	0.8	700	28.6	20.7	0.72	1.34	33.6	21.3	3.3
				850	45.3	2.27	37.6	119.3	5.86	6.2		1100	45.5	2.20	38.0	108.3	6.06				5.1	950	29.5	23.2	0.79	1.39	34.6	21.2
	6.3	0.97	2.2	850	45.8	2.30	38.0	119.9	5.85	6.6	1100	46.0	2.23	38.4	108.7	6.05	5.4	6.0	1.00	2.3	700	28.8	20.9	0.72	1.32	33.7	21.8	3.5
				850	45.8	2.30	38.0	119.9	5.85	6.6		1100	46.0	2.23	38.4	108.7	6.05				5.4	950	29.7	23.3	0.78	1.37	34.8	21.7
	8.5	1.60	3.7	850	46.5	2.29	38.6	120.6	5.94	6.2	1100	46.6	2.23	39.0	109.2	6.12	5.0	7.5	1.49	3.4	700	26.6	20.1	0.75	1.60	32.4	16.7	4.4
				850	46.5	2.29	38.6	120.6	5.94	6.2		1100	46.6	2.23	39.0	109.2	6.12				5.0	950	27.4	22.3	0.81	1.64	33.4	16.7
90	4.5	0.50	1.2	850	49.6	2.33	41.6	124.0	6.24	6.6	1100	49.6	2.24	41.9	111.7	6.48	5.4	4.0	0.34	0.8	700	26.9	20.3	0.75	1.56	32.6	17.3	4.6
				850	49.6	2.33	41.6	124.0	6.24	6.6		1100	49.6	2.24	41.9	111.7	6.48				5.4	950	27.7	22.6	0.82	1.61	33.6	17.2
	6.3	0.93	2.2	850	49.9	2.36	41.8	124.4	6.19	7.1	1100	49.8	2.28	42.0	111.9	6.40	5.8	6.0	0.97	2.2	700	26.8	18.8	0.70	1.59	32.5	16.9	4.8
				850	49.9	2.36	41.8	124.4	6.19	7.1		1100	49.8	2.28	42.0	111.9	6.40				5.8	950	28.2	22.7	0.80	1.64	33.2	17.2
	8.5	1.55	3.6	850	24.8	2.22	17.2	97.0	3.27	4.2	1100	25.3	2.06	18.3	91.3	3.60	3.6	7.5	1.43	3.3	700	24.8	19.5	0.79	1.92	31.7	12.9	5.4
				850	24.8	2.22	17.2	97.0	3.27	4.2		1100	25.3	2.06	18.3	91.3	3.60				3.6	950	25.4	20.0	0.79	1.86	32.1	13.6
100	4.5	0.48	1.1	850	25.1	1.97	17.9	93.9	3.54	3.7	1100	25.9	2.18	19.4	88.1	3.94	3.4	4.0	0.33	0.8	700	25.1	19.7	0.79	1.89	31.9	13.3	5.5
				850	25.1	1.97	17.9	93.9	3.54	3.7		1100	25.9	2.18	19.4	88.1	3.94				3.4	950	25.9	21.8	0.84	1.94	32.8	13.3
	6.3	0.90	2.1	850	25.4	2.00	18.1	94.4	3.58	3.8	1100	26.2	2.21	19.8	89.6	4.04	3.5	6.0	0.93	2.2	700	25.4	20.0	0.79	1.81	32.1	13.6	5.8
				850	25.4	2.00	18.1	94.4	3.58	3.8		1100	26.2	2.21	19.8	89.6	4.04				3.5	950	26.2	22.1	0.84	1.96	33.0	13.7
	8.5	1.49	3.4	850																								

Contractor: _____ P.O.: _____

Engineer: _____

Project Name: _____ Unit Tag: _____

**7 Series 700A11
3-6 Ton 60Hz**



Performance Data cont.

060 - 100% Full Load

EWT °F	Flow gpm	WPD		HEATING - EAT 70°F							EWT °F	Flow gpm	WPD		COOLING - EAT 80/67 °F												
		PSI	FT	Airflow cfm	HC MBtuh	Power kW	HE MBtuh	LAT °F	COP	HWC MBtuh			PSI	FT	Airflow cfm	TC MBtuh	SC MBtuh	S/T Ratio	Power kW	HR MBtuh	EER	HWC MBtuh					
20	8.5	2.00	4.6	Operation not recommended							20	6.5	1.21	2.8	Operation not recommended												
	13.0	3.52	8.1	Operation not recommended								10.0	2.70	6.2	Operation not recommended												
	17.0	6.55	15.1	1800	45.5	5.00	28.4	92.7	2.67	8.1		13.5	4.20	9.7	2200	46.5	4.97	29.5	88.8	2.74	7.5						
30	8.5	1.95	4.5	1800	45.8	4.19	31.5	92.9	3.21	8.4	30	6.5	1.17	2.7	1500	59.6	37.0	0.62	1.92	65.5	31.0	-					
				2200	46.9	4.41	31.9	89.0	3.12	7.8					1800	60.7	40.6	0.67	2.00	66.9	30.4	-					
				1800	49.0	4.23	34.6	94.6	3.40	8.6					1500	60.4	37.3	0.62	1.83	66.1	33.1	-					
	13.0	3.42	7.9	2200	50.4	4.50	35.0	90.5	3.28	7.9		10.0	2.62	6.1	1800	61.4	40.8	0.66	1.92	67.3	31.9	-					
				1800	49.9	4.57	34.3	95.1	3.20	8.8		13.5	4.08	9.4	1500	60.7	37.3	0.61	1.77	66.2	34.3	-					
				2200	48.5	4.16	34.2	88.9	3.41	8.0		1800	62.2	40.8	0.66	1.86	68.0	33.5	-								
40	8.5	1.90	4.4	1800	53.2	4.35	38.4	96.8	3.58	8.9	40	6.5	1.14	2.6	1500	60.6	39.5	0.65	2.24	67.5	27.0	-					
				2200	54.4	4.53	39.0	92.2	3.52	8.2					1800	61.8	43.2	0.70	2.34	69.0	26.4	-					
				1800	56.6	4.42	41.5	98.6	3.75	9.2					1500	61.3	39.9	0.65	2.13	67.9	28.8	-					
	13.0	3.32	7.7	2200	57.9	4.61	42.2	93.7	3.68	8.4		10.0	2.55	5.9	1800	62.4	43.5	0.70	2.23	69.4	28.0	-					
				1800	57.5	4.50	42.1	99.1	3.74	9.5		13.5	3.96	9.1	1500	61.8	39.9	0.65	2.07	68.2	29.9	-					
				2200	58.8	4.66	42.9	94.1	3.70	8.6		1800	63.2	43.5	0.69	2.16	69.9	29.2	-								
50	8.5	1.85	4.3	1800	60.6	4.52	45.2	100.8	3.93	9.5	50	6.5	1.10	2.5	1500	61.6	41.7	0.68	2.41	69.1	25.6	-					
				2200	61.9	4.66	46.0	95.5	3.90	8.6					1800	62.8	45.3	0.72	2.56	70.8	24.5	-					
				1800	64.1	4.60	48.4	102.6	4.08	9.9					1500	62.2	42.1	0.68	2.36	69.5	26.4	-					
	13.0	3.21	7.4	2200	65.4	4.72	49.3	97.0	4.06	8.9		10.0	2.47	5.7	1800	63.5	45.8	0.72	2.50	71.2	25.3	-					
				1800	65.2	4.66	49.3	103.2	4.10	10.3		13.5	3.83	8.9	1500	62.8	42.6	0.68	2.32	70.0	27.1	-					
				2200	66.6	4.77	50.3	97.5	4.09	9.3		1800	64.1	46.2	0.72	2.46	71.7	26.1	-								
60	8.5	1.80	4.2	1800	68.9	4.69	52.9	105.2	4.30	10.1	60	6.5	1.07	2.5	1500	59.2	40.9	0.69	2.71	67.6	21.8	3.1					
				2200	70.4	4.77	54.1	99.2	4.33	9.0					1800	60.7	44.4	0.73	2.89	69.6	21.0	3.1					
				1800	72.1	4.77	55.8	106.8	4.43	10.6					1500	59.8	41.3	0.69	2.66	68.0	22.5	2.9					
	13.0	3.11	7.2	2200	73.6	4.83	57.1	100.6	4.47	9.5		10.0	2.39	5.5	1800	61.3	44.9	0.73	2.82	70.1	21.7	2.9					
				1800	73.6	4.82	57.2	107.7	4.47	11.1		13.5	3.71	8.6	1500	60.4	41.7	0.69	2.61	68.5	23.1	2.7					
				2200	75.3	4.88	58.6	101.3	4.52	9.9		1800	61.9	45.3	0.73	2.78	70.5	22.3	2.7								
70	8.5	1.75	4.0	1800	77.2	4.86	60.6	109.6	4.65	10.6	70	6.5	1.03	2.4	1500	56.7	40.1	0.71	3.01	66.1	18.8	4.6					
				2200	77.4	4.89	60.7	102.2	4.64	9.5					1800	58.1	44.0	0.76	3.52	69.0	16.5	4.6					
				1800	80.0	4.93	63.2	111.4	4.76	11.2					1500	57.3	40.5	0.71	2.96	66.5	19.4	4.3					
	13.0	3.01	7.0	2200	81.8	4.94	65.0	104.1	4.85	10.0		10.0	2.31	5.3	1800	59.1	43.9	0.74	3.14	68.9	18.8	4.3					
				1800	82.1	4.99	65.0	112.1	4.82	11.9		13.5	3.59	8.3	1500	57.8	40.8	0.71	2.90	66.9	19.9	4.2					
				2200	80.0	5.02	62.8	102.9	4.67	10.6		1800	59.7	44.4	0.74	3.26	69.3	18.3	4.1								
80	8.5	1.68	3.9	1800	86.0	5.14	68.5	114.2	4.90	11.8	80	6.5	0.99	2.3	1500	52.9	38.8	0.73	3.45	63.6	15.4	6.1					
				2200	88.0	5.11	70.5	106.8	5.05	9.9					1800	54.9	42.2	0.77	3.67	66.3	14.9	6.1					
				1800	88.0	5.20	70.3	115.3	4.96	12.2					1500	53.5	39.2	0.73	3.38	64.0	15.8	5.8					
	13.0	2.91	6.7	2200	90.1	5.15	72.6	107.7	5.13	10.6		10.0	2.23	5.2	1800	55.4	42.6	0.77	3.59	66.6	15.4	5.8					
				1800	90.7	5.26	72.7	116.7	5.05	12.6		13.5	3.47	8.0	1500	54.0	39.6	0.73	3.32	64.3	16.3	5.5					
				2200	93.0	5.20	75.2	109.0	5.24	11.2		1800	56.0	43.0	0.77	3.54	67.0	15.8	5.5								
90	8.5	1.60	3.7	1800	94.8	5.42	76.3	118.9	5.13	11.7	90	6.5	0.96	2.2	1500	49.1	37.6	0.77	3.88	61.1	12.7	8.2					
				2200	97.0	5.33	78.8	110.7	5.33	10.3					1800	51.3	40.8	0.80	4.13	64.1	12.4	8.2					
				1800	96.0	5.47	77.4	119.6	5.14	12.6					1500	49.7	37.9	0.76	3.80	61.4	13.1	7.8					
	13.0	2.80	6.5	2200	98.4	5.36	80.1	111.3	5.38	11.1		10.0	2.15	5.0	1800	51.7	41.2	0.80	4.05	64.3	12.8	7.8					
				1800	99.3	5.54	80.4	121.3	5.25	13.4		13.5	3.34	7.7	1500	50.7	38.2	0.75	3.85	62.6	13.2	7.3					
				2200	96.3	5.31	78.3	109.8	5.32	11.9		1800	52.3	41.6	0.80	3.98	64.7	13.1	7.4								
100	8.5	1.55	3.6	Operation not recommended							100	6.5	0.92	2.1	1500	44.7	36.4	0.81	4.43	58.4	10.1	10.3					
	13.0	2.70	6.2	Operation not recommended								10.0	2.07	4.8	1800	46.9	39.5	0.84	4.72	61.5	9.9	10.3					
	17.0	5.03	11.6	Operation not recommended								13.5	3.22	7.5	1500	45.2	36.7	0.81	4.33	58.6	10.4	9.7					
110	8.5	1.50	3.5	Operation not recommended							110	6.5	0.89	2.1	1500	40.3	35.2	0.87	4.97	55.7	8.1	13.0					
				1800	42.4	38.2	0.90	5.30	58.9	8.0					13.1												
				1500	40.7	35.5	0.87	4.87	55.8	8.4					12.3												
	13.0	2.60	6.0	Operation not recommended								10.0	2.00	4.6	1800	42.9	38.6	0.90	5.19	59.0	8.3	12.4					
				17.0	4.84	11.2	Operation not recommended							13.5	3.10	7.2	1500	41.1	35.9	0.87	4.78	55.9	8.6	11.6			
				1800	43.3	39.0	0.90	5.10	59.1	8.5		11.7															
120	8.5	1.40	3.2	Operation not recommended							120	6.5	0.85	2.0	1500	38.7	34.1	0.88	6.10	57.6	6.4	16.1					
				1800	39.6	37.1	0.94	6.24	58.9	6.3					16.2												
	13.0	2.50	5.8	Operation not recommended								10.0	1.92	4.4	1500	39.2	34.4	0.88	5.76	57.1	6.8	15.2					
				17.0	4.65	10.7	Operation not recommended							13.5	2.98	6.9	1800	39.9	37.3	0.93	5.91	58.3	6.8	15.3			
1500	39.6	34.4	0.87	5.58	56.9	7.1	14.3	1800	40.4	37.3	0.92	5.75	58.2	7.0	14.5												

Performance capacities shown in thousands of Btu/h.

6/13/24

WaterFurnace works continually to improve its products. As a result, the design and specifications of each product at the time of order may be changed without notice. Please contact WaterFurnace at 1-888-929-2837 for latest design and specifications. Purchaser's approval of this data set signifies that the equipment is acceptable under the provisions of the job specification. Statements and other information contained herein are not express warranties and do not form the basis of any bargain between the parties, but are merely WaterFurnace's opinion or commendation of its products. The latest version of this document is available at www.waterfurnace.com.

Contractor: _____ P.O.: _____

Engineer: _____

Project Name: _____ Unit Tag: _____

7 Series 700A11
3-6 Ton 60Hz



Revision Guide

Pages:	Description:	Date:	By:
	Guide Creation	Aug. 6, 2024	SW/MA

WaterFurnace works continually to improve its products. As a result, the design and specifications of each product at the time of order may be changed without notice. Please contact WaterFurnace at 1-888-929-2837 for latest design and specifications. Purchaser's approval of this data set signifies that the equipment is acceptable under the provisions of the job specification. Statements and other information contained herein are not express warranties and do not form the basis of any bargain between the parties, but are merely WaterFurnace's opinion or commendation of its products. The latest version of this document is available at www.waterfurnace.com.